



T2428175220

Open Frame Transformer

Specifications:

Input:

- 220VAC, 50/60Hz, 0.8A.

Output:

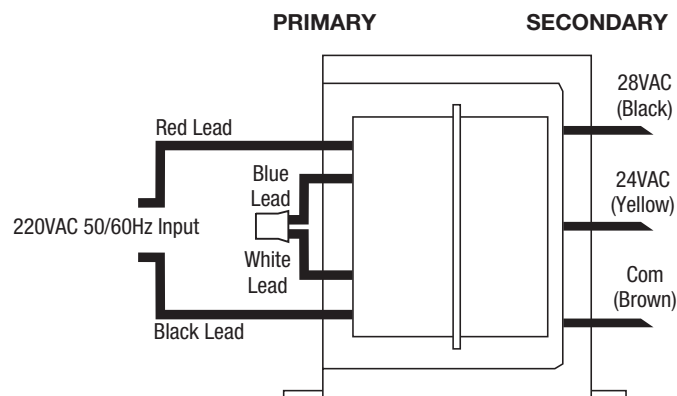
- 24VAC/175VA (7.25A) or 28VAC/185VA (6.25A) supply current.

Installation Instructions:

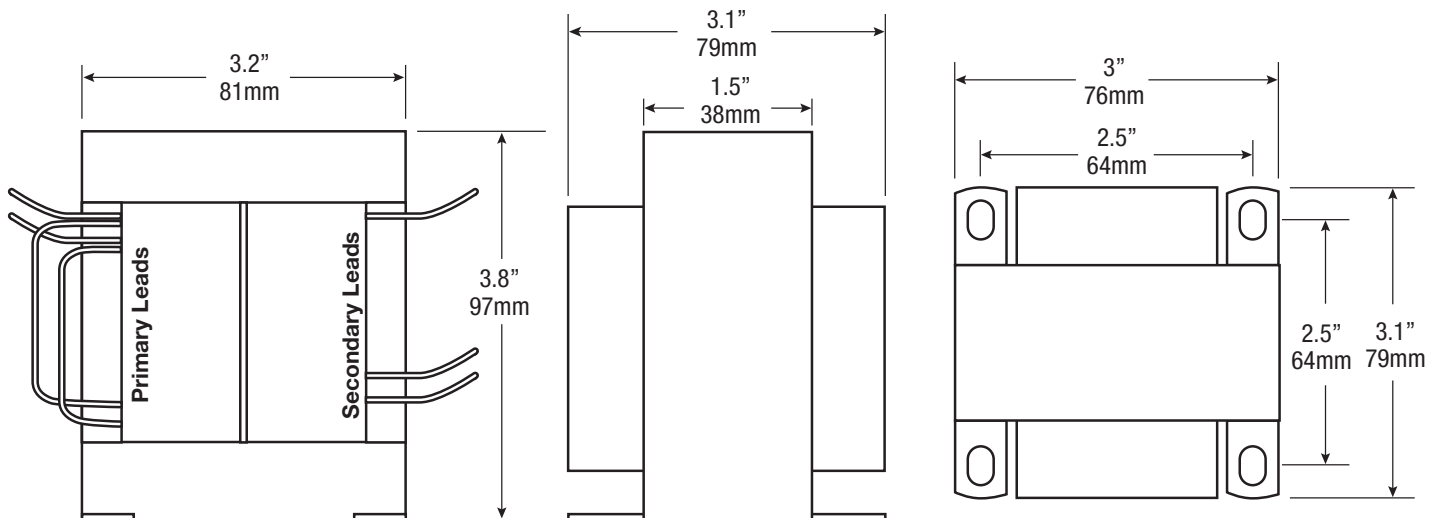
1. Mount transformer in the desired location/enclosure (*refer to Transformer Drawing and Dimensions below*).
2. Connect AC power 220VAC 50/60Hz to primary leads (black and red) (*refer to Wiring Configuration below*).
3. Measure output voltage across the secondary leads before connecting devices (*refer to Wiring Configuration below*). This helps avoiding potential damage.
 - Yellow and Brown for 24VAC (open circuit voltage @ 220VAC approx. 26.1VAC).
 - Black and Brown for 28VAC (open circuit voltage @ 220VAC approx. 30.4VAC).
4. Connect 24VAC device(s) to Yellow and Brown leads or 28VAC device(s) to Black and Brown leads (*refer to Wiring Configuration below*).

WARNING: This installation should be made by qualified service personnel and should conform to the National Electrical Code and all local codes.

Wiring Configuration:



Transformer Drawing and Dimensions:



Altronix is not responsible for any typographical errors. Product specifications are subject to change without notice.

140 58th Street, Brooklyn, New York 11220 USA | phone: 718-567-8181 | fax: 718-567-9056
website: www.altronix.com | e-mail: info@altronix.com
IIT2428175220 - Rev. 122612

I07U

