



WayPoint5CEV High Current Outdoor Power Supply/Charger

Overview:

The Waypoint5CEV High Current Outdoor Power Supply/Charger provides 6VDC, 12VDC or 24VDC and is designed to be conveniently located where power is required.

Specifications:

Agency Listing:

- CE Compliant.

Input:

- 220VAC, 50/60Hz, 0.75 amp.
- Input fuse rated @ 4 amp/250V.

Output:

- 6VDC, 12VDC or 24VDC selectable output.
- 4 amp continuous supply current.

Electrical:

- Operating Ambient Temperature: -20° C to 50° C.
- System AC input VA requirement: 165VA.

Features:

- Thermal overload and short circuit protection.
- Filtered and electronically regulated output.
- AC and DC power LED indicators.



Features (cont'd):

- Ease of installation saves time and eliminates costly labor.
- Battery leads included.

Mechanical:

- NEMA 4/4X, IP66-11 Rated enclosure for outdoor use.
- Lightweight molded fiberglass reinforced polyester enclosure is corrosion resistant and does not contain halogens.
- Lockable stainless steel latches.
- Integral flanges simplify wall or pole mounting.

Enclosure Dimensions (H x W x D approx.):

13.31" x 11.31" x 5.59" (338.1mm x 287.3mm x 142mm).

Accessories:

- PMK1 - Pole Mount Kit.

Voltage Output/Transformer Selection Table:

Output Voltage	Switch Position	
	SW1	SW2
6VDC	Closed/On	Open/Off
12VDC	Open/Off	Open/Off
24VDC	Open/Off	Closed/On

Installation Instructions:

Wiring methods should be in accordance with the National Electrical Code/NFPA 70/NFPA 72/ANSI, and with all local codes and authorities having jurisdiction. Use 14 AWG or larger for all power connections. This unit does not have any serviceable parts.

1. Remove back plane from the enclosure prior to mounting (do not discard hardware).
2. Mark and drill desired inlets on the enclosure to facilitate wiring (Fig. 2, pg. 3).
3. Mount unit in the desired location. Refer to Fig. 3, pg. 3 and Fig. 4, pg. 4 for pole or wall mounting instructions.
4. Mount back plane to the enclosure with hardware.
5. To facilitate wire entry utilize weather tight NEMA 4 rated connectors, bushings and cable.
6. Connect unswitched AC circuit (220VAC, 50/60Hz) as follows: Green branch wire connects to earth (safety) ground \oplus , Line connects to the terminal marked [L] and Neutral connects to the terminal marked [N] of the Inlet Appliance Connector on back plate (Fig. 1a, pg. 2). Wire gauge range of connectors is 14 AWG to 11 AWG (1.6 mm to 2.5 mm diameter).
7. Select the desired DC output voltage by setting SW1 & SW2 to the appropriate position (Reference Chart above) (Fig. 1b, pg. 2).
8. Measure output voltage at terminals marked [- DC +] before connecting devices (Fig. 1, pg. 2). This helps avoiding potential damage.
9. Connect devices to be powered to the terminals marked [- DC +] (Fig. 1, pg. 2).
10. Upon completion of the wiring secure enclosure door with latches and optional lock.

Caution: Equipment to be installed/serviced by authorized/trained personnel only.
Shut branch circuit power before installing/servicing equipment.

WARNING: When installing in a non-restricted service area, use lock or other fastened means on door latches. This installation should be made by qualified service personnel and should conform to the National Electrical Code and all local codes.

LED Diagnostics:

Red (DC)	Green (AC)	Power Supply Status
ON	ON	Normal operating condition.
ON	OFF	Loss of AC. Stand-by battery supplying power.
OFF	ON	No DC output. Short circuit or thermal overload condition.
OFF	OFF	No DC output. Loss of AC. Discharged or no battery present.

Terminal Identification:

Terminal Legend	Function/Description
AC/AC	Low voltage input.
+ DC -	6VDC, 12VDC or 24VDC @ 4 amp continuous supply current.
+ BAT -	Stand-by battery connections. Maximum charge rate 300mA.

Fig. 1

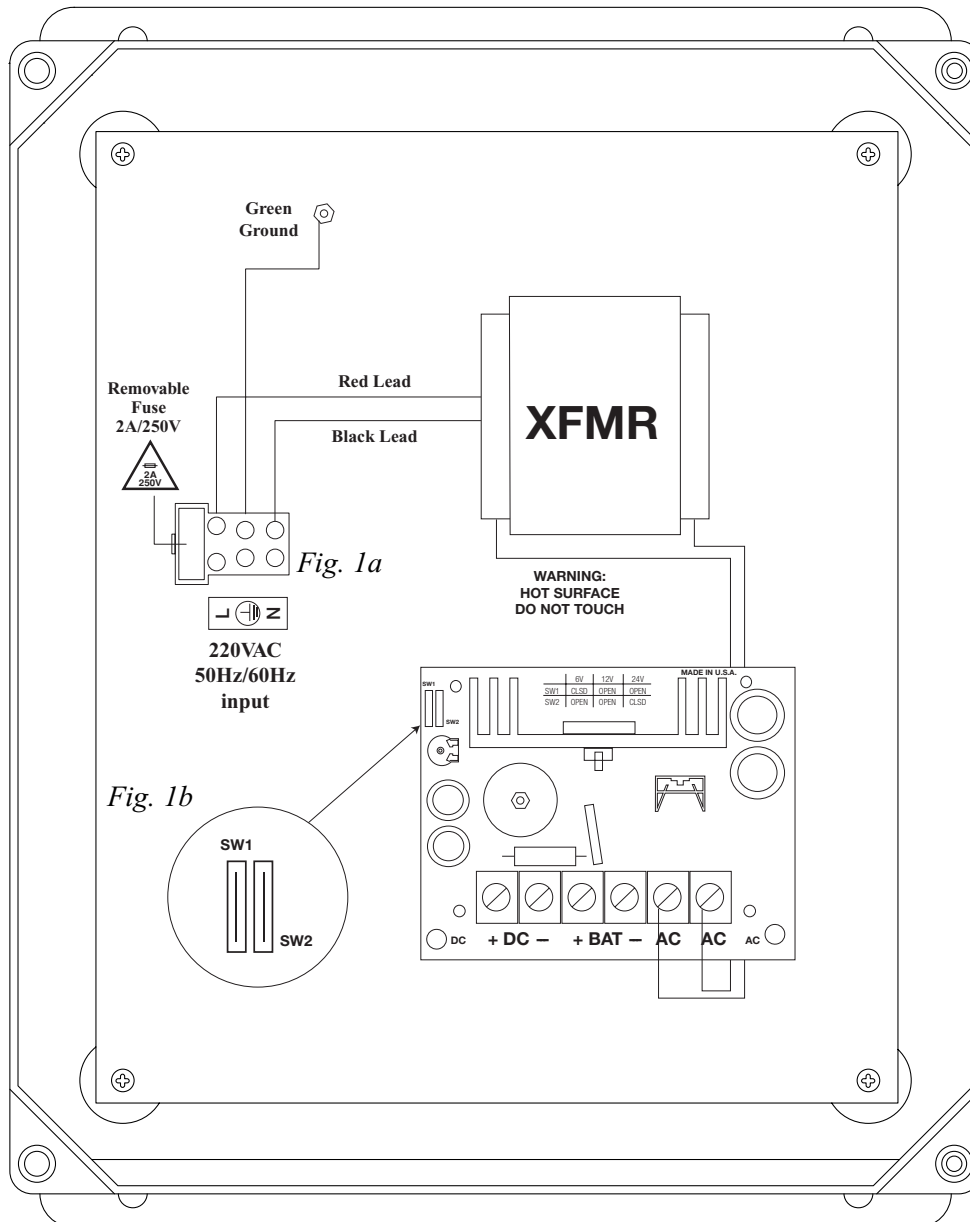
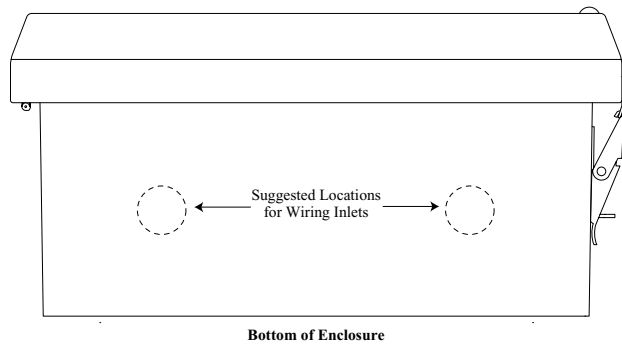


Fig. 2



The lightning flash with arrow head symbol within an equilateral triangle is intended to alert the user to the presence of an insulated DANGEROUS VOLTAGE within the product's enclosure that may be of sufficient magnitude to constitute an electric shock.



The exclamation point within an equilateral triangle is intended to alert the user to the presence of important operating and maintenance (servicing) instructions in the literature accompanying the appliance.



CAUTION: To reduce the risk of electric shock do not open enclosure. There are no user serviceable parts inside. Refer servicing to qualified service personnel.

Pole Installation Using Optional Pole Mount Kit PMK1

PMK1 is intended for use with all Altronix outdoor rated power supplies. This product is designed for use with the supplied Wormgear Quick Release Straps. The 39" Wormgear Quick Release Straps included with PMK1 can be used on poles up to 8" (203.2mm) in diameter. Poles wider than this will require longer straps (not supplied).

1. Thread one (1) wormgear quick release strap through the slots on the back of a mounting bracket (Fig. 3).
2. Once the desired height of the top Pole Mount bracket is achieved, tighten the straps down by sliding open end of the strap through the locking mechanism on the strap, then tighten the screw with flat head screwdriver or 5/16" hex socket driver (Figs. 3a and 3b).

Fig. 3

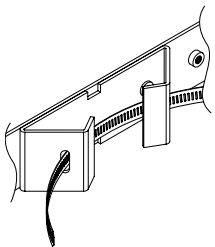


Fig. 3a

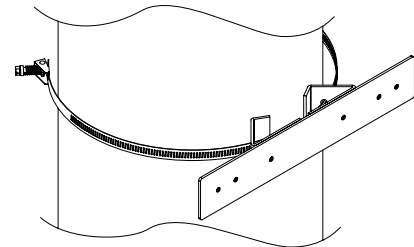
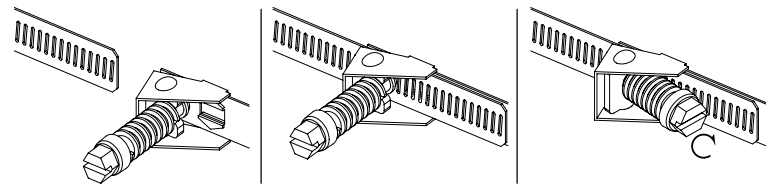


Fig. 3b



3. Attach the bottom bracket to the enclosure by inserting bolts through the flange of the enclosure and into the bracket, tightening bolts with a 7/16" hex socket (Fig. 3c).
4. Thread the second wormgear quick release strap through the slots on the back of the bottom mounting bracket (Fig. 3).
5. Mount enclosure onto the top bracket by inserting bolts through flange of the enclosure and into the bracket, tightening bolts with a 7/16" hex socket (Fig. 3c).
6. Tighten the straps of the bottom bracket down by sliding the open end of the strap through the locking mechanism on the strap, then tighten screw with flat head screwdriver or 5/16" hex socket driver (Fig. 3d).
7. Clip excess straps.

Fig. 3c

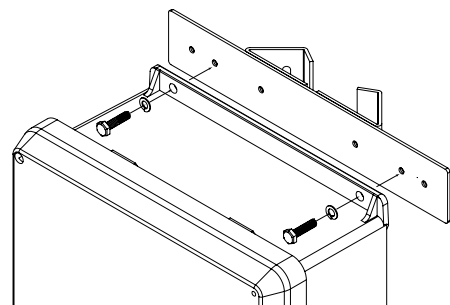
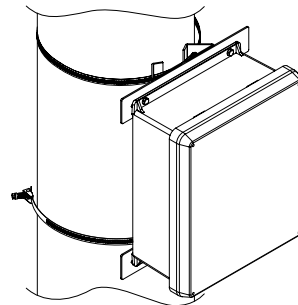


Fig. 3d



Wall Mount Installation

1- Place unit at desired location and secure with mounting screws (not included) (Fig. 4 and Fig. 4a, pg. 4).

Fig. 4a

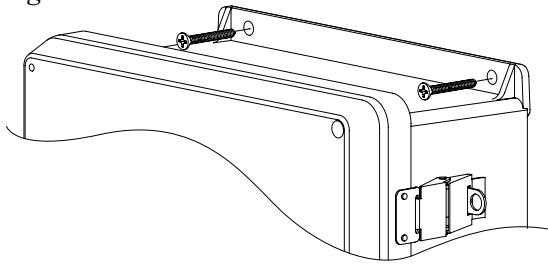
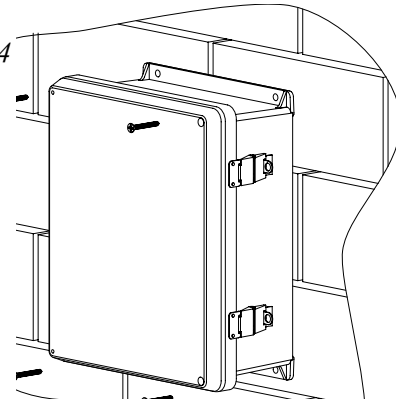
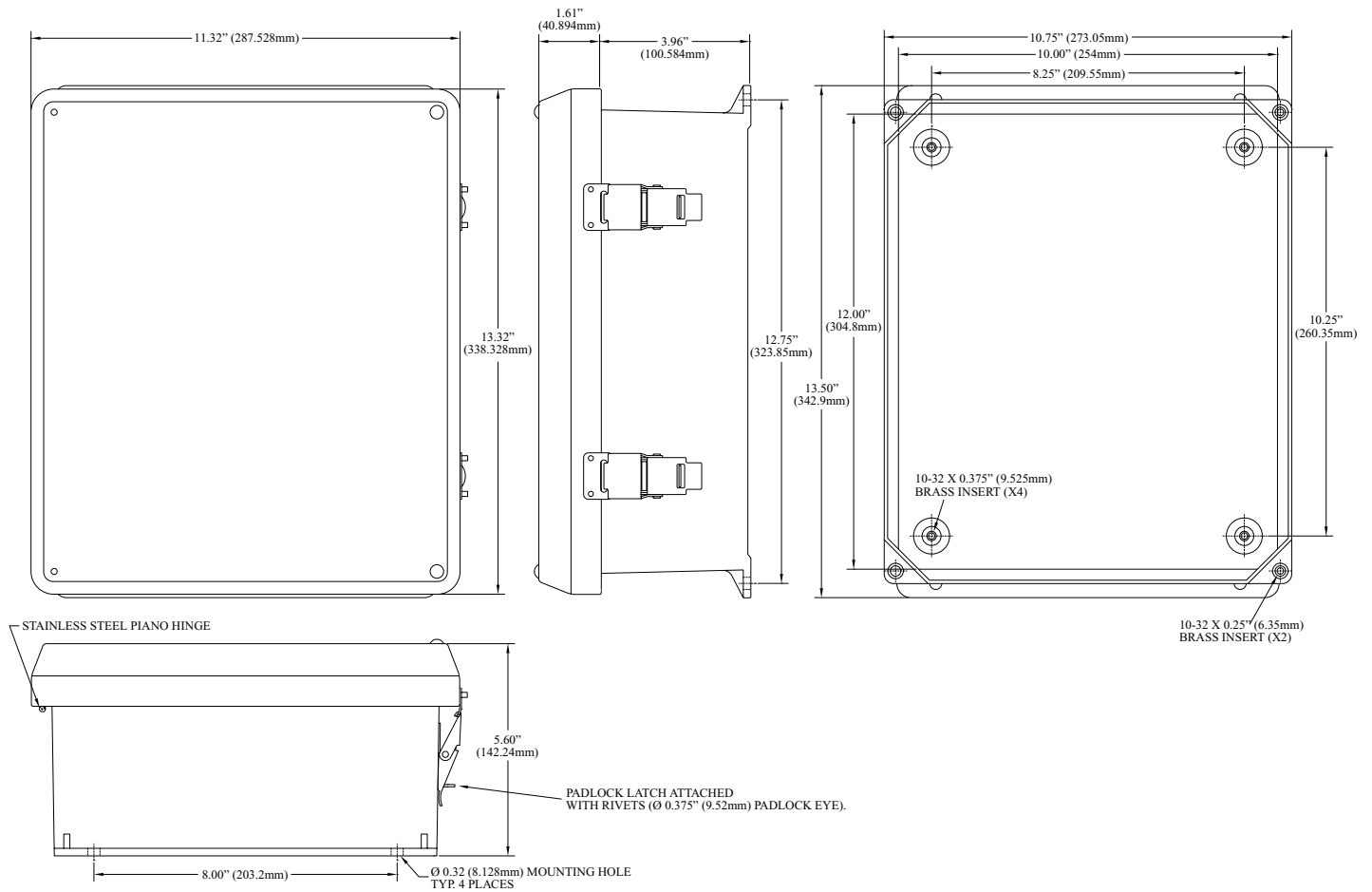


Fig. 4



Enclosure Dimensions (H x W x D):

13.31" x 11.31" x 5.59" (338.1mm x 287.3mm x 142mm)



Altronix is not responsible for any typographical errors.

140 58th Street, Brooklyn, New York 11220 USA, 718-567-8181, fax: 718-567-9056
 web site: www.altronix.com, e-mail: info@altronix.com, Lifetime Warranty, Made in U.S.A.
 IIWayPoint5CEV Rev. 041012

I10N