



## 6-Way Telephone Riser Module

---

The AV-TEL-RISE6 module is an Advanced 6-way telephone riser module that can be mounted in an Axis AX command center (fire alarm command center or firefighter phone node) or in a dedicated enclosure with integral power supply charger (AV-TEL6-REM).

The AV-TEL-RISE6 telephone risers can be wired either Class A or B to an AV-JACK, AV-TEL-SUP and/or AVCTEL module. Supervision/trouble monitoring of the telephone riser wiring is accomplished per telephone location through a dedicated 55000-820ADV, I/O switch monitor & relay output module, at each AVJACK, AV-TEL-SUP and/or AV-CTEL module.

The AV-TEL-RISE6 can support two (2) command center phones (AV-TEL-MCCS). A maximum of five (5) field firefighter phones (AV-JACK, AV-TEL-SUP and/or AV-CTEL modules) and the command center phone may be active at the same time on each AV-TEL- RISE6 telephone riser.

Each AV-TEL-RISE6 has an audio output that can be connected to an AV-AMP-80 audio amplifier, allowing remote firefighter phone paging (patch) control by the command center.

For installations where the same power supply feed of an AV-TEL-RISE6 module is connected to an AV-AMP-80 audio amplifier an Advanced AX-DCF, DC supply filter module is available. The AX-DCF module filters out any feedback noise generated from the audio amplifier.



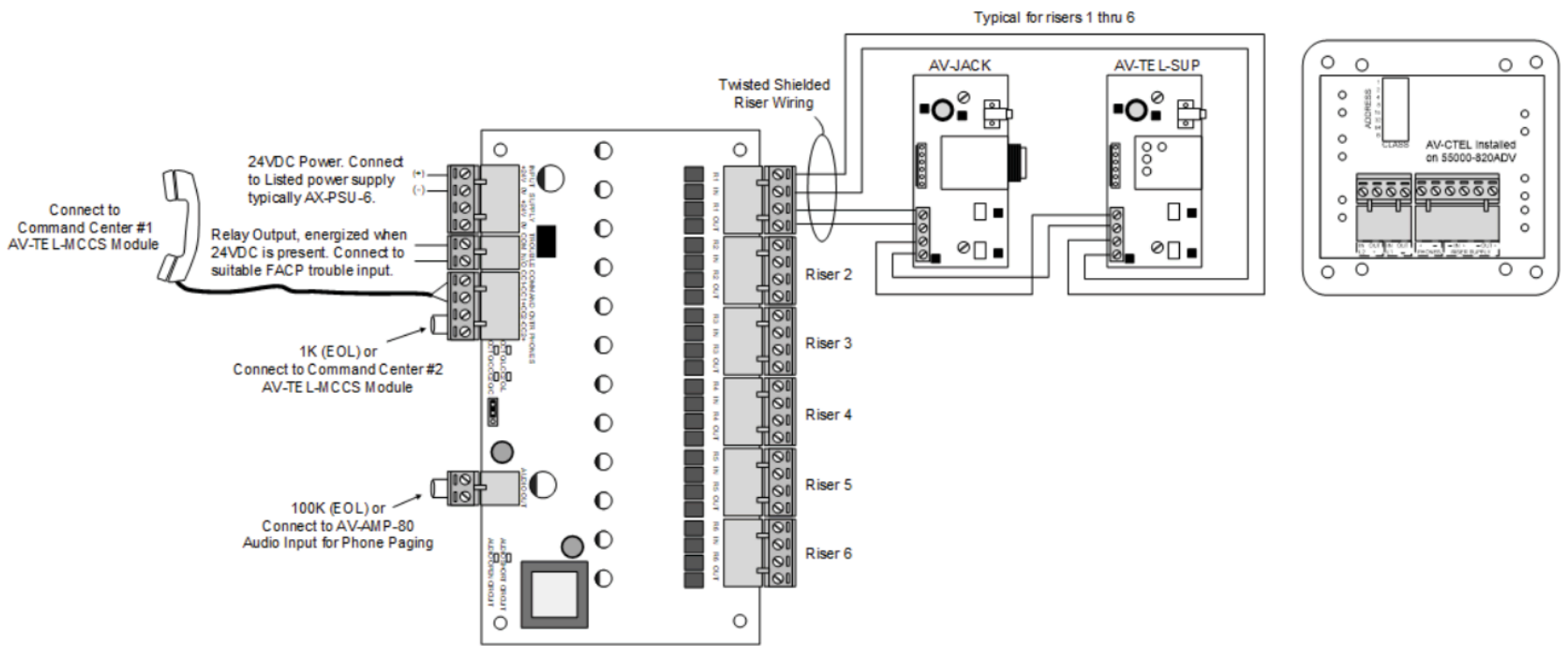
## Features

- Class A or B Wiring
- Each Circuit can Support 35 Firefighter Phones
- Maximum Five (5) Active Phones
- Optional Phone Patch Paging
- Supports Two (2) Command Center Firefighter Phones
- Pluggable Terminal Blocks
- Supervised Power Supply Monitoring Input
- Integral Form "C" Fail-Safe Trouble Contact
- Built-in Short Circuit Isolation

## Listings and Approvals

- ETL ANSI/UL 864 Listed: 102445509NYM-001
- NYC FD COA #6105A2

# Wiring Diagram



## Order Codes and Options

AV-TEL-RISE6 6-Way Firefighter Telephone Riser Module

AV-TEL6-REM\* Remote Enclosure with AV-TEL-RISE6 module and AX-PSU-6 Power Supply Charger

AX-DCF DC Supply Filter Module

\* Add suffix-G to part number for gray color