

## Axis<sup>AX</sup>

### D9068P DACT Programmer DACT-PRG

The D9068P DACT Programmer DACT-PRG is an alphanumeric LCD Keypad used for all programming and debugging of the Advanced D9068P Digital Alarm Communicator Transmitter (DACT). The DACT-PRG has a two-line, 16-character display that shows information on various D9068P DACT programming features/functions. In most cases, the first line shows general system (D9068P) status information and the second line describes the specific programming menus and prompts.

The DACT-PRG is connected via a 5 pin female connector to the AX-SEB Serial Expansion Board PL3 connector. While the DACT-PRG is connected to the D9068P DACT, communications to the central station is suspended and the Axis<sup>AX</sup> Series Intelligent Fire Alarm Control Panel will initiate a DACT trouble.

Once the D9068P is programmed by the DACT-PRG and the Axis<sup>AX</sup> Series Intelligent Fire Alarm Control Panel is set for serial Contact-ID or SIA-300 protocol communications, the D9068P DACT will receive real time system status information from the Axis<sup>AX</sup> Series Intelligent Fire Alarm Control Panel and transmit this status to a wide variety of listed Central Station receivers.

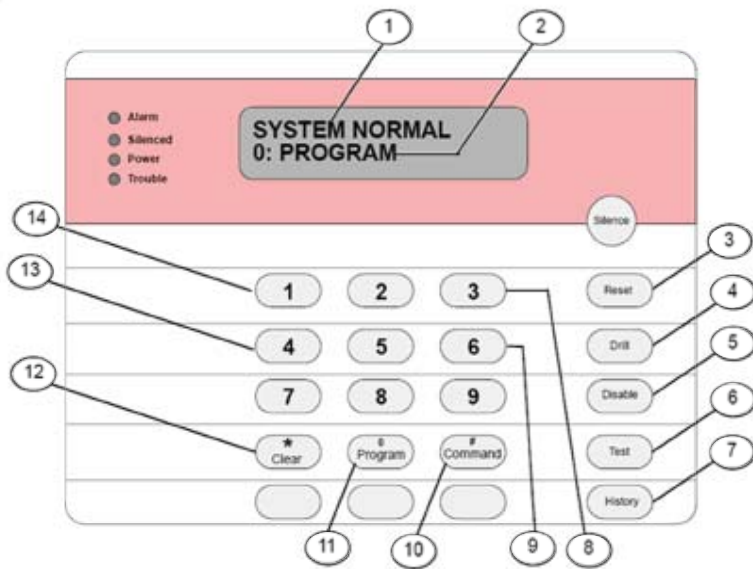


#### Unique Features:

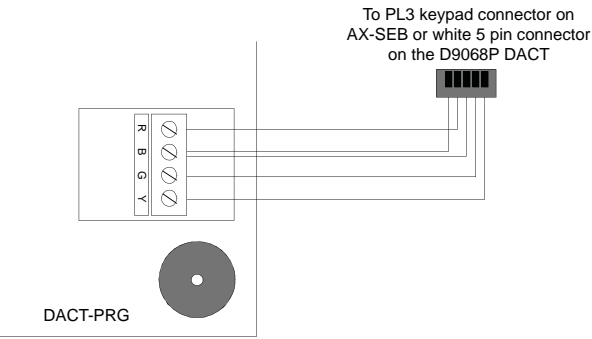
- Programs D9068P DACT
- Permits Manual Testing of D9068P DACT
- 2 - Line, 16 - Character Display
- User-Friendly Scrolling Program Menus
- D9068P DACT Historical Display

#### Listings and Approvals:

- ETL ANSI/UL 864 Listed: 3118002NYM-001B
- UL Listed UOXX.S5579
- CSFM Approved: 7165-1713:0101
- NYC FD COA #6080



## DACT-PRG Wiring



1	First line of display.
2	Second line of display.
3	[Reset] key: Initiates a manual reset of D9068P. Clears the character selected by the cursor.
4	[Drill] key: Advances to the next programmable feature or character position.
5	[Disable] key: Returns to the previous programmable feature or character position.
6	[Test] key: Enters Test Mode. Pressing [Test] when entering a phone number, accesses three phone control code option.
7	[History] key: Enters History Mode.
8	[3] key: Increases DACT-PRG backlight intensity. Press and hold [* Clear] first. Then press [3] to adjust the intensity.
9	[6] key: Decreases DACT-PRG backlight intensity. Press and hold [* Clear] first, then press [6] to adjust the intensity.
10	[# Command] key: Accepts programming entries into D9068P. Press this key after every programming entry.
11	[0 Program] key: Enters the Programming Mode menu.
12	[* Clear] key: Cancels any programming menu without making changes. Return to the message SYSTEM NORMAL by pressing [* Clear] until SYSTEM NORMAL appears across the first line.
13	[4] key: Decreases DACT-PRG sounder volume. Press and hold [* Clear] first, then press [4] to adjust the volume.
14	[1] key: Increases DACT-PRG sounder volume. Press and hold [* Clear] first, then press [1] to adjust the volume.

### DACT-PRG Specifications

Voltage	10.2 - 28 VDC
Connection	Four Screw Terminals Power and Communications
Environment	Indoor, dry
Temperature (operating)	32°F - 120°F (0°C - 49°C)
Dimensions (HxWxD)	4.7 in. x 6.2 in. x 1.2 in.
Weight	9.1 ounces

### Ordering Information

<b>DACT-PRG</b>	LCD Keypad For Programming D9068P DACT
-----------------	-------------------------------------------

**As our policy is one of constant product improvement the right is therefore reserved to modify product specifications without prior notice.**



Advanced Fire Systems Inc  
100 South Street, Hopkinton, MA 01748

**Tel:** (508) 435-9995  
**Fax:** (508) 435-9990  
**Email:** usa@advancedco.com  
**Web:** www.advancedco.com