



Features

- Direct access and monitoring of your VESDAnet system.
- Seamless data transfer.
- Easily configured using Xtralis configuring and monitoring software packages.

Listings/Approvals

VESDA HLIs are recommended for monitoring only. They are not approved for use as a primary reporting device.

Information available using the Open Protocol HLI

- Detector Type (VLC, VLS, VLP, VLF).
- Alarm status (Alert, Action, Fire1 & Fire2).
- Fault Status (System, Zone, Urgent, Power, Network, Flow, Filter).
- Status (Isolated, Normalizing, AutoLearn, Scanning).
- Display info (Alarm thresholds, Location name).
- Display update (Smoke level, Alarm & Fault status).
- Fault details (list of active fault codes).
- Fault strings (ASCII strings to describe each fault code).
- Detector controls (Reset, Isolate, Silence, Test, Scan or Normalize²).
- Configuration of Day / Night alarm thresholds²

Open Protocol High Level Interface

The VESDA Open Protocol High Level Interface (HLI) links your VESDAnet¹ with PC software monitoring tools, Building Management Systems (BMSs) and Fire Alarm Control Panels (FACPs), otherwise known as 'host'. There are two models available, depending on whether you require communication between your host and VESDAnet to be master-slave or peer-to-peer.

VHX-0310 Open Protocol HLI (master-slave)

In the master-slave model, the host supervises the communications link between itself and the HLI (slave) by regularly polling the HLI to determine whether there has been a change in the status of a detector on VESDAnet. In response to polling by the host, the HLI generates a single response which is sent back to the host. In this way, no unsolicited messages are sent from the HLI to the host. Depending on the polling strategy adopted, the Master/Slave Open Protocol HLI is able to report any and all fire alarms within a few seconds of a detector going into alarm. Exact performance is dependent on the polling strategy adopted.

VHX-0300 Open Protocol HLI (peer-to-peer)

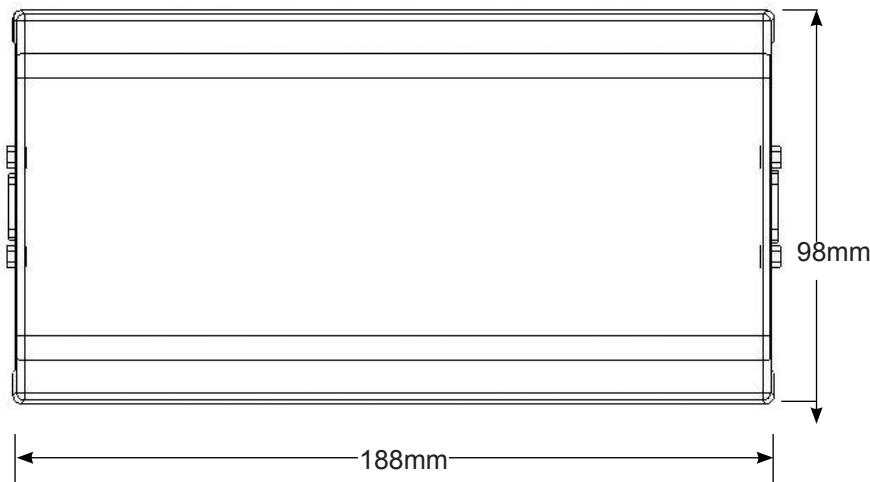
In the peer-to-peer model, the host polls the HLI for information about devices on VESDAnet, while the HLI sends unsolicited messages to the host. In this way, both the HLI and host are responsible for supervising the communications link between them.

In the peer-to-peer model, the host can request and receive multiple messages from the HLI.

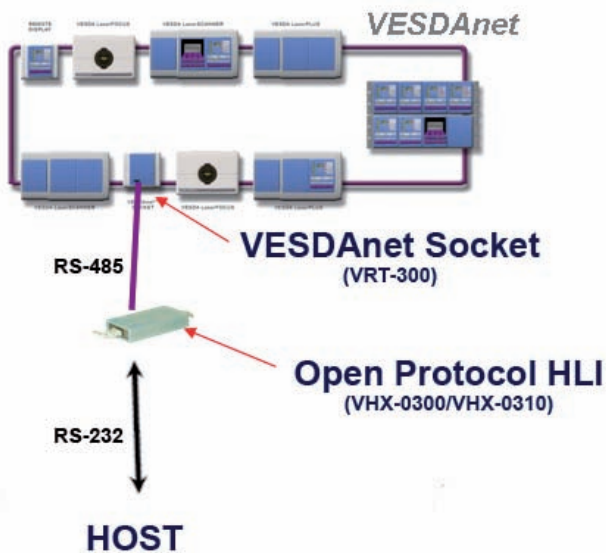
¹VESDAnet is a propriety communications protocol allowing your VESDA range of smoke detectors, displays, programmers and remote units (collectively known as devices) to communicate with each other on the one network. VESDAnet is a fault tolerant bi-directional protocol. This means that if one direction of communication fails, then your VESDAnet messages are transmitted in the opposite direction.

²Master - Slave only

Dimensions



Example VESDAnet system with Open Protocol HLI



Specifications

Power Consumption:
1.68 W (Quiescent)

Supply Voltage:
24 VDC

Current Consumption:
70 mA (Quiescent)

Dimensions:
188 mm x 98 mm x 40 mm
(7.4 in. x 3.9 in. x 1.6 in. approx.)

Weight:
0.4 kg (0.9 lbs)

Supplied With:
VESDAlink RS-232 9-way serial cable (male-female).
VESDAnet RS-485 15-way cable (male-female)

Number of Detectors Supported:
Up to 40 detectors*

*If your network has more than 40 detectors, please contact your Xtralis representative.

Modem Support:

Modem support is not available

Product Warranty

2 years

Ordering Information

Product	Part number
Open Protocol HLI (Peer-to-Peer)	VHX-0300
Open Protocol HLI (Master-Slave)	VHX-0310
VESDAlink RS-232 9-way serial cable (Spare part)	VSP-509
VESDAnet RS-485 15-way cable (Spare part)	VSP-511

www.xtralis.com

The Americas +1 781 740 2223 Asia +852 2916 8894 Australia and New Zealand +61 3 9936 7000
Continental Europe +32 56 24 19 51 UK and the Middle East +44 1442 242 330

The contents of this document are provided on an "as is" basis. No representation or warranty (either express or implied) is made as to the completeness, accuracy or reliability of the contents of this document. The manufacturer reserves the right to change designs or specifications without obligation and without further notice. Except as otherwise provided, all warranties, express or implied, including without limitation any implied warranties of merchantability and fitness for a particular purpose are expressly excluded.

This document includes registered and unregistered trademarks. All trademarks displayed are the trademarks of their respective owners. Your use of this document does not constitute or create a licence or any other right to use the name and/or trademark and/or label.

This document is subject to copyright owned by Xtralis AG ("Xtralis"). You agree not to copy, communicate to the public, adapt, distribute, transfer, sell, modify or publish any contents of this document without the express prior written consent of Xtralis.