

Features

- Allows for communication to Monitoring Station
- Communicates using SIA-DCS or Ademco Contact ID Protocols
- For use with 6000 series and P series Addressable Panels
- Status LEDs indicate operation of DACT card
- Installs with ease behind main panel LCD display via User Interface bracket
- Device address is set by dipswitches located on DACT card
- Installation materials including 4 pin connector and screw are supplied with DACT card



7165-0328:0195

Description

The UD-1000 Digital Alarm Communicator Transmitter (DACT) provides for up to two (2) phone lines for communication to a monitoring station. The UD-1000 communicates using the SIA-DCS or Ademco Contact ID protocols. When enabled, the DACT automatically monitors each phone line or voltage and has the ability to seize the line and connect with a remote receiver. Once the communication is complete, the DACT will hang up.

The DACT is provided with an RJ-11 jack for each phone line and a RJ-11 to RJ-33 cord. In order for the DACT to work properly, it must be installed on a plain old telephone service (POTS) line or equivalent deemed by the authority having jurisdiction. The DACT must be installed before any other equipment to ensure it can seize the phone line.

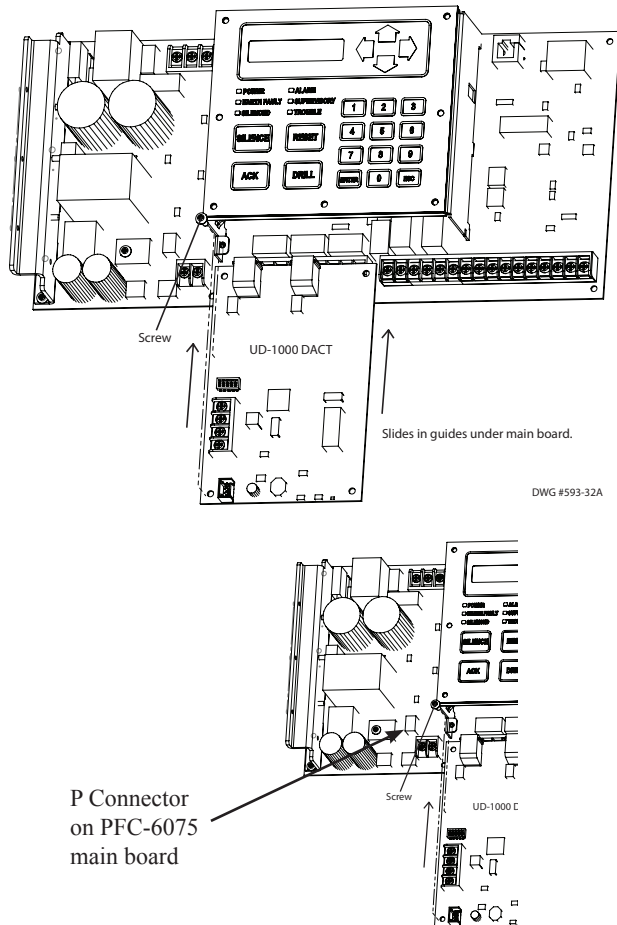
Phone lines are high voltage and should be run in a separate conduit from other circuits. The wire conductors connecting the DACT to the phone system should be 26 AWG or larger.

Technical Specifications

Operating Voltage	22.0-24.0V
Standby Current	16mA
Alarm Current	23mA
Max UD-1000s per panel	1
Dimensions	4"W * 6"H * 1-5/8"D
Operating Temperatures	0°C - 49°C (32°F- 120°F)
Operating Humidity Range	10% - 93% @ 30°C (86°F) (non-condensing)
Mounting Options	In FACP Behind keypad
Shipping Weight	0.47 lbs

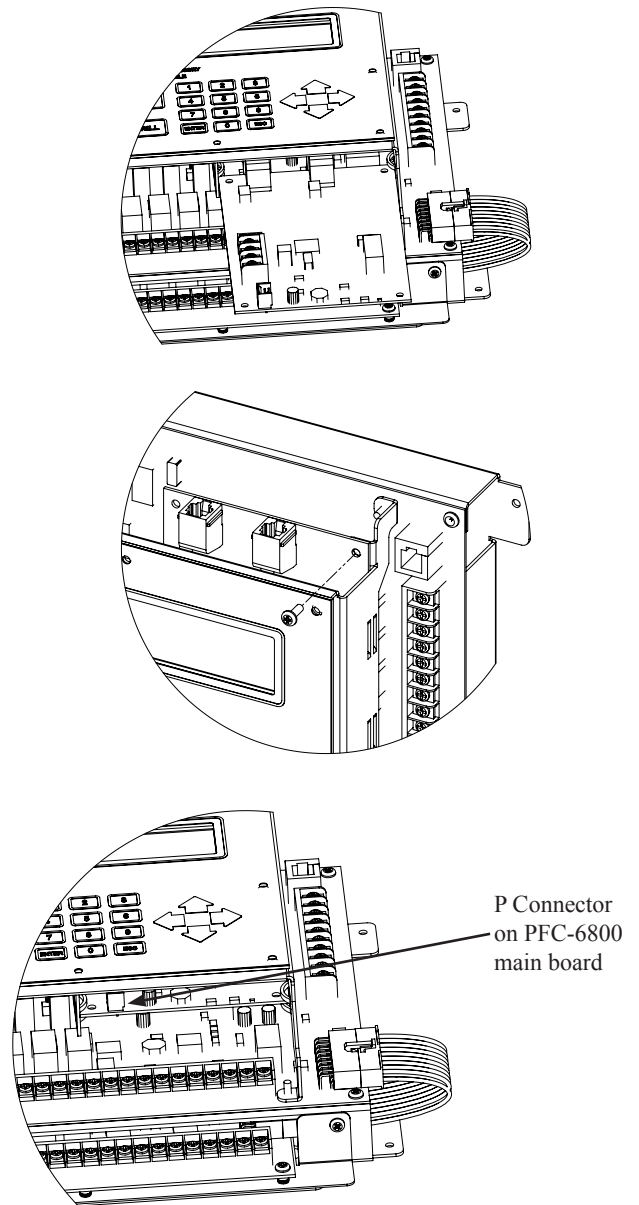
UD-1000 DACT Installation on PFC-6030/6075R

Fig 1



UD-1000 DACT Installation on PFC-6800/6200

Fig 2



NOTICE

Install in accordance with compatible fire alarm control panel installation manual

Installation

The UD-1000 DACT is connected to the control panel using the provided four-wire cable connection (P/N 5210514) between P4 and UD-1000 P1. The connection is power limited and supervised.

1. Power system down.
2. Slide the UD-1000 into the card guides located under the User Interface bracket.
3. Secure the UD-1000 to the User Interface bracket using the provided #6-32x3/8" screw
4. Install the provided four-wire conductor jumper between UD-1000 P1 and P4.