



LIFE SAFETY &amp; INCIDENT MANAGEMENT

# Local Operations Console

3-ANNCPU3, 3-LCDANN,  
3-6ANN, 3-10ANN, 3-REMICA



## Overview

EST3 remote annunciation and control equipment is ideally suited to serve mass notification purposes. LCD display modules, remote microphones, and control and display modules configured for mass notification operation provide everything that's needed for annunciation, control, and paging operations. In these applications, annunciators are configured to operate as Local Operation Consoles (LOCs), from which mass notification is initiated and controlled.

Annunciator cabinets are constructed from 16 gauge cold rolled steel. The gray textured enamel finish of the annunciators complements any decor. Both surface and semi-flush mounting cabinet configurations maximize mounting flexibility and esthetic appeal. Cabinet arrangements allow LED and LCD annunciation, as well as paging, to easily combine in a single enclosure. Slide-in labeling for LEDs and switches provides designation flexibility for mass notification labeling.

## Standard Features

- Variety of wallbox configurations neatly houses annunciation and control, as well as paging equipment
- On-board microphone provides instant access to mass notification audio
- Slide-in labels makes mass notification configuration easy
- Standard 3-LCD (168 characters) and large-format 3-LCDXL1 (960 character) display options
- LCD uses queues to sort events
- Programmable LED flash rates

## Configurable Features

- Fan & Damper HOA 3-Position Switches
- Audio and strobe selector switches using two-position or three-position switches
- Fire Alarm Zone Annunciation
- Prerecorded message selection

## Application

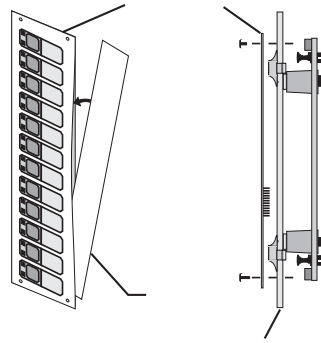
Local Operating Consoles should be located so as to provide response personnel and building occupants with access to the mass notification (MNEC) system. They should be used to send messages in emergency situations from locations in the building other than from the Autonomous Control Unit (ACU).

LOC Location Guidelines:<sup>1</sup>

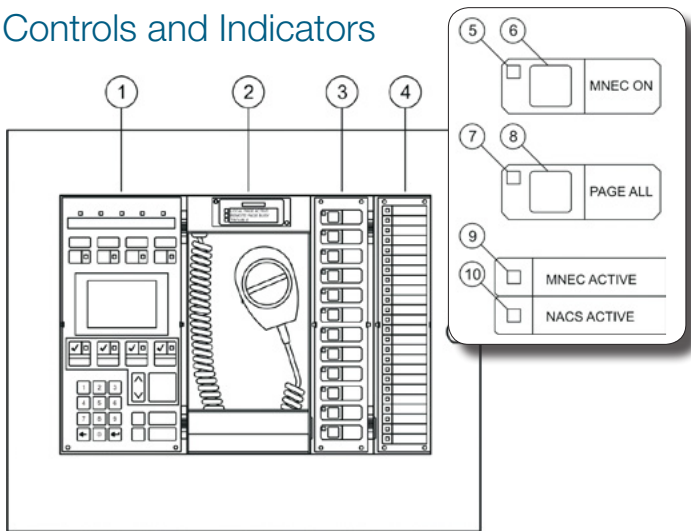
- Provide a separate LOC for use by the fire department near the building fire alarm control panel (or fire command center) unless this is also the location of the ACU.
- Do not place an LOC inside locked rooms or closets (with the possible exception of the operating console intended for use by the fire department near the FACP).
- Install LOCs at those facility entrances/exits that will be used when building access is limited during emergency situations.
- Locate LOCs so that occupants do not need to travel a distance in excess of 61 m (200 ft) horizontally or to other floors to access one.
- Make LOCs available for use by visitors in those facilities open to unescorted visitors or to the public.

<sup>1</sup>Unified Facilities Criteria 4-021-01: Design and Operation of Mass Notification Systems, 5-6.1 & 4-5.1.

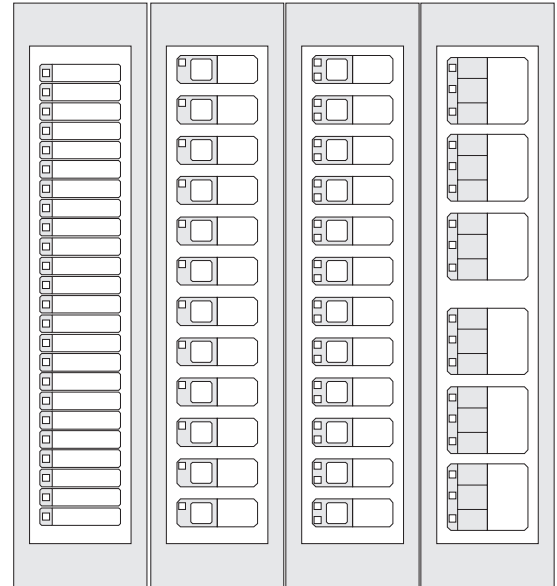
## Switch and Display Modules



## Controls and Indicators



1. 3-LCD
2. 3-REMICA paging microphone and in-use indicators
3. 3-12SR or equivalent
4. 3-24R or equivalent
5. MNEC ON button status LED. On indicates MNEC ON button was pressed.
6. MNEC ON button. Press to activate MNEC operation.
7. PAGE ALL button status LED. On indicates PAGE ALL button was pressed.
8. PAGE ALL button. Press to direct live voice instructions from the 3-REMICA microphone to all notification appliance circuits.
9. MNEC status LED. On indicates MNEC operation is active.
10. NAC status LED. On indicates all notification appliance circuits are active.



### 3-24x

24 Colored LEDs

### 3-12Sx

12 switches with one colored LED per switch

### 3-12/S1xx

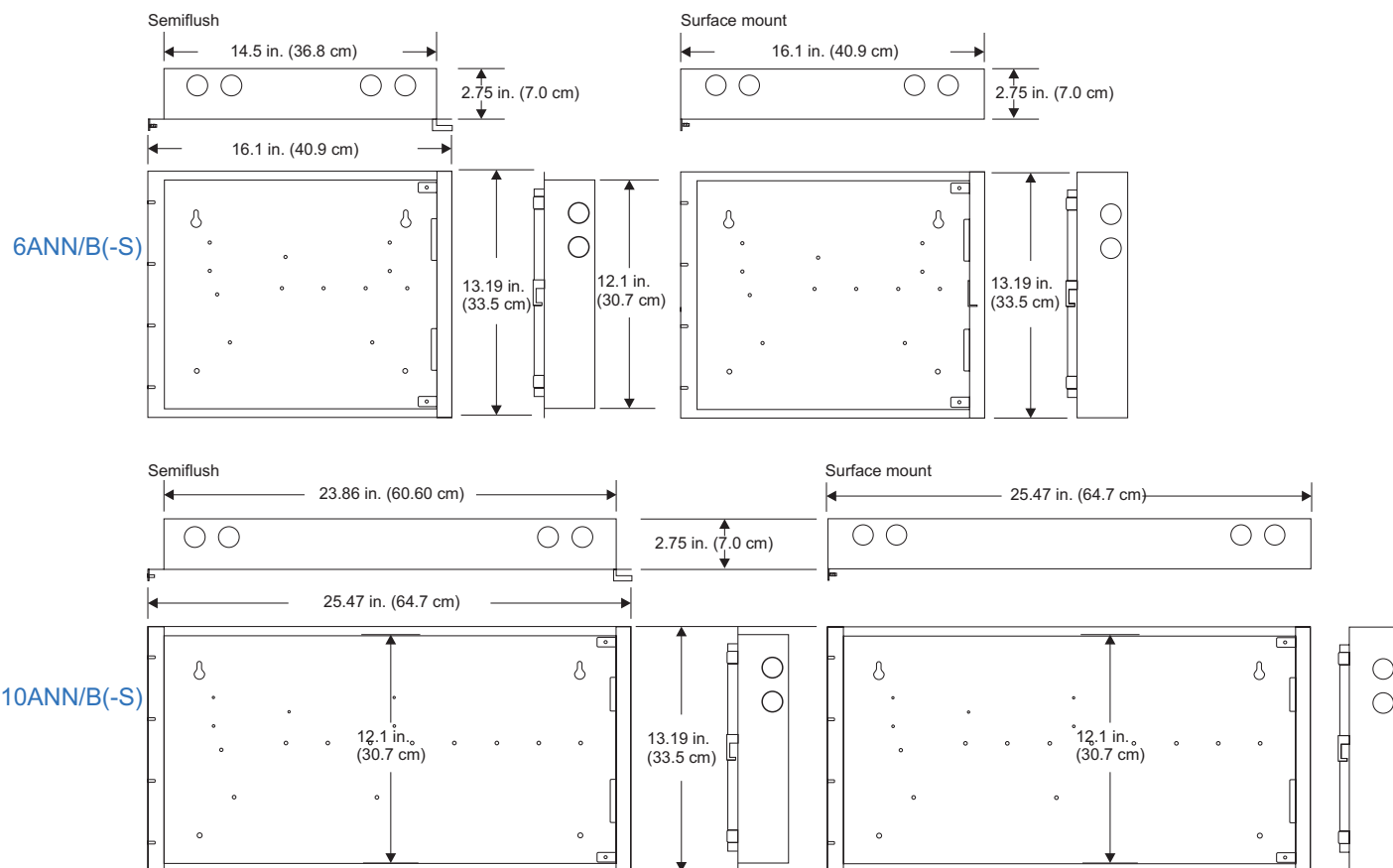
12 switches with two colored LEDs per switch

### 3-6/3S1xxx

or  
3-4/3SGYWR  
Six switches with three colored LEDs per switch

LEDs are available in red, green, yellow and white. Consult the ordering information table for details.

## Dimensions



## Specifications

Catalog Number	3-ANNCPU3	3-ANNSM	3-LCD	3-LCDXL1
Agency Listings	UL, ULC, FM, CE			
Mounting Space	Two Spaces	One Space	Mounts over 3-ANNCPU	Mounts over 3-ANNCPU plus two spaces.
Communication Format	RS-485	N/A	N/A	N/A
Current @ 24 Vdc				
Standby	144 mA	10mA	40mA	48mA
Alarm	144 mA	10mA	42mA	50mA
Wiring Termination	Plug in terminal strip			
Wiring Size	Twisted Pair 18-14 AWG (0.75-1.5 mm <sup>2</sup> )		N/A	
Max. Wire Distance	5000 ft (1524m) between any 3 panels			
Relative Humidity	93% non condensing at 90° F (32° C)			
Temperature Rating	0-49° C (32 - 120° F)			
Wiring Styles	Class A or Class B			

The EST3 is modularly listed under the following standards: UL 864 categories: UOJZ, UOXX, UUKL and SYZV, UL 294 category ALVY, UL 609 category AOTX, UL 636 category ANET, UL 1076 category APOU, UL 365 category APWA, UL 1610 category AMCX, UL 1635 category AMCX, ULC-S527, ULC-S301, ULC-S302, ULC-S303, ULC-S306, ULC/ORD-C1076 and ULC/ORD-C693. UL2572 for Mass Notification.

For detailed specifications on EST3 compatible annunciator display and control modules please refer to EDWARDS literature sheet part number 85010-0055.



LIFE SAFETY & INCIDENT MANAGEMENT

**Contact us...**

Email: [edwards.fire@fs.utc.com](mailto:edwards.fire@fs.utc.com)  
 Web: [edwards-fire.com](http://edwards-fire.com)

1016 Corporate Park Drive  
 Mebane, NC 27302

EDWARDS is a registered mark in the United States and other countries.

© 2018 United Technologies Corporation. All rights reserved.

## Ordering Information

Catalog Number	Description	Ship Wt. lb (kg)
<b>Command Module Annunciators (Come with CPU, LCD display and doors. Order wallbox separately.)</b>		
3-LCDANN	Remote LCD Command Module Annunciator.	3.8 (1.7)
<i>Base Annunciators (Come with two 3-ANNSM annunciator support modules, a CPU, and doors. Order Display/Control modules, additional support modules &amp; wallbox separately.)</i>		
3-6ANN	Six Position Base Annunciator.	6.28 (2.85)
3-10ANN	10 Position Base Annunciator.	10.5 (4.8)
<b>CPU, Support Module, &amp; LCD Displays</b>		
3-ANNCPU3	Annunciator CPU	1 (.45)
3-CPUDR	CPU doors with filler plates. Order separately, one required per CPU where no LCD display is installed.	0.25 (.11)
3-ANNSM	Annunciator Support Module	.45 (.2)
3-LCD	Liquid Crystal Display Module, eight lines.	.8 (.36)
3-LCDXL1	Liquid Crystal Display Module, 40 lines mounts in 3-6ANN or 3-10ANN annunciators. <i>Note one 3-LCDXL1KBL, (ordered separately) is required for each 3-LCDXL1 mounting into 3-6ANN or 3-10ANN annunciator boxes.</i>	
3-LCDXL1KBL	Cable for 3-LCDXL1 (Use to connect 3-ANNCPU3 to first annunciator support module.	
<b>Control/Display Modules</b>		
3-CPUDR	Two blank filler plates suitable for any annunciator blank space.	.5 (.22)
3-24R	24 Red LED Display Module	.35 (.12)
3-24Y	24 Yellow LED Display Module	.35 (.12)
3-24G	24 Green LED Display Module	.35 (.12)
3-12SR	12 switches with 12 Red LED Display/Control Module	.35 (.12)
3-12SY	12 switches with 12 Yellow LED Display/Control Module	.35 (.12)
3-12SG	12 switches with 12 Green LED Display/Control Module	.35 (.12)
3-12RY	12 Red LED and 12 Yellow LED Display Module	.35 (.12)
3-12/S1GY	12 switches with one Green and one Yellow LED per switch	.35 (.12)
3-12/S1RY	12 switches with one Red and one Yellow LED per switch	.35 (.12)
3-12/S2Y	12 switches with two Yellow LEDs per switch	.35 (.12)
3-6/3S1G2Y	Six groups of three switches. Each switch with one LED: Green, Yellow, Yellow.	.35 (.12)
3-6/3S1GYR	Six groups of three switches. Each switch with one LED: Green, Yellow, Red.	.35 (.12)
3-4/3SGYWR	12 switches in four groups of three switches, switch one with a green LED, switch two with yellow and white LEDs and switch three with a red LED	.35 (.12)
3-FP	Filler Plate, order separately one required per 3-ANNSM when no LED or LED/Switch module installed on operator layer.	0.1 (0.05)
<b>Microphone</b>		
3-REMICA	Remote microphone for use in 3-ANN series annunciator cabinets	15 (6.8)
<b>Enclosures</b>		
6ANN/B	Six position LED/LCD flush mount wallbox	7.0 (3.2)
6ANN/B-S	Six position LED/LCD surface mount wallbox	7.0 (3.2)
10ANN/B	Ten position LED/LCD flush mount wallbox	9.0 (4.1)
10ANN/B-S	Ten position LED/LCD surface mount wallbox	9.0 (4.1)