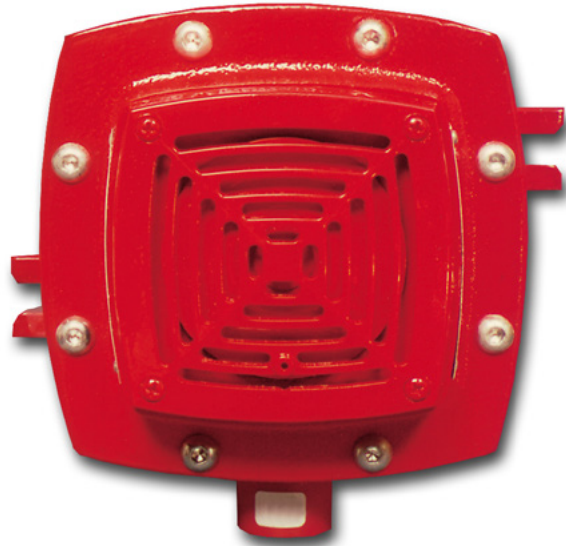




Technology that saves lives

Hazardous Location Horns

888D-N5 & 74339U



Overview

888D and 889D hazardous location horns are diode-polarized, heavy duty, high decibel vibrating horns intended for use in life safety systems in hazardous (classified) locations. These horns may be mounted to any solid surface using two bolts (by others).

Each unit is supplied with a sealing fitting for 3/4-inch -14 National Pipe Taper (NPT) nipple, and wire leads for the electrical connection to the life safety system notification appliance circuit.

Standard Features

- Diode polarized
- Corrosion resistant heat flowed epoxy finish – red
- Low current draw

Application

888D and 889D hazardous location horns are UL-listed for installation in the following classified locations:

- Class I, Division 1 and 2, Groups B, C, and D
- Class II, Division 1 and 2, Groups E, F, and G
- Class III hazardous locations, for Div. 1 and 2



Technology that saves lives

Contact us...

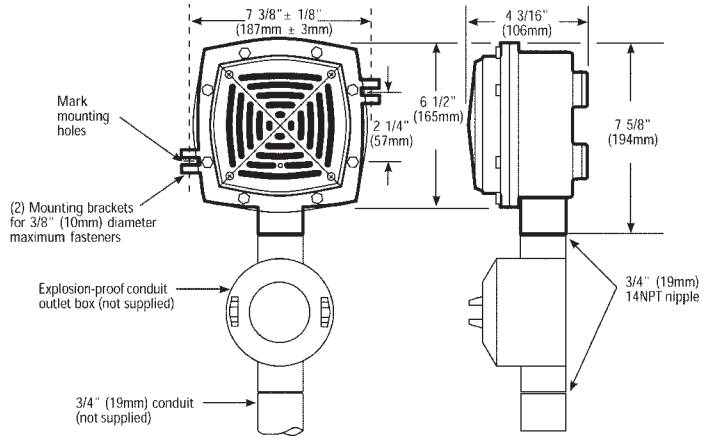
Email: kidde.fire@fs.utc.com
 Web: kidde.com/engineeredsystems

1016 Corporate Park Drive
 Mebane, NC 27302

Kidde is a registered mark in the United States and other countries.

© 2018 Walter Kidde Portable Equipment.
 All rights reserved.

Mounting



Specifications

Catalog Number	888D-N5	74339U
Rated Voltage	120 Vac	24 Vdc
Alarm Current	0.13A	0.16A
Sound output	100 dBA measured in an anechoic chamber on an "A" weighted decibel scale at 10 ft (3m)	

Ordering Information

Catalog Number	Description	Ship Wt.
888D-N5	Hazardous location horn – 120 Vac	9.0 lb. (4.1 kg.)
74339U	Hazardous location – 24 Vdc	