

## Overview

Genesis ceiling strobes are small, compact, and attractive visible emergency signaling devices. Protruding no more than 1.6" (41 mm) from the ceiling, Genesis strobes blend with any decor.

Thanks to patented breakthrough technology, GE Security Genesis strobes do not require bulky specular reflectors and lenses. Instead, an exclusive cavity design conditions light to produce a highly controlled distribution pattern. Significant development efforts employing this new technology have given rise to a new benchmark in strobe performance – FullLight technology.

FullLight strobe technology produces a smooth light distribution pattern without the spikes and voids characteristic of specular reflectors. This ensures the entire coverage area receives consistent illumination from the strobe flash. As a result, Genesis strobes with FullLight technology go well beyond the minimum UL-required "cross" pattern, significantly exceeding UL-1971 and ULC-S526 light distribution requirements.

Depending on the model, Genesis ceiling strobes feature 15 to 95, or 95 to 177 candela output (see ordering information), which is selectable with a conveniently-located switch. The candela output setting remains clearly visible even after final installation, yet it is locked in place to prevent unauthorized movement after installation.

Genesis strobes feature textured housings in architecturally neutral white or eye-catching fire alarm red. An ingenious iconographic symbol indicates the purpose of the device. This universal symbol is code-compliant and is easily recognized by all building occupants regardless of what language they speak. Models with "FIRE" markings are also available.

# Field Configurable Ceiling Strobes

## Genesis Series



## Standard Features

- **Field configurable – no need to remove the device!**
  - 15/30/75/95 cd and 95/115/150/177 cd models available
  - Switch settings remain visible even after the unit is installed
- **Unique low-profile design**
  - 30 per cent slimmer profile than comparable signals
  - Attractive appearance
  - No visible mounting screws
  - Available with white or red housings
- **Easy to install**
  - Fits all standard 4" square electrical boxes with plenty of room behind the signal for extra wire – no extension ring or trim plate needed
  - #18 to #12 AWG terminals – ideal for long runs or existing wiring
- **Unparalleled performance**
  - Exclusive FullLight strobe technology produces the industry's most even light distribution
  - Precision timing electronics meet tough synchronizing standards for strobes
  - Low current draw minimizes system overhead
  - Highly regulated in-rush current allows the maximum number of strobes on a circuit
- **Approved for public and private mode applications**
  - UL 1971-listed as signaling devices for the hearing impaired
  - UL 1638-listed as protective visual signaling appliances
  - UL/ULC listed for ceiling or wall use



## Application

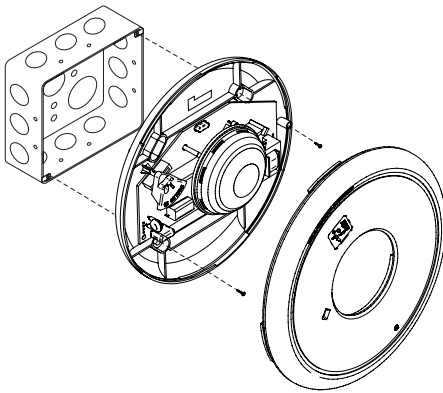
Genesis strobes are UL 1971-listed for use indoors as wall- or ceiling-mounted public-mode notification appliances for the hearing impaired. Prevailing codes require strobes to be used where ambient noise conditions exceed specified levels, where occupants use hearing protection, and in areas of public accommodation. Consult with your Authority Having Jurisdiction for details.

All Genesis strobes exceed UL synchronization requirements (within 10 milliseconds other over a two-hour period) when used with a synchronization source. Synchronization is important in order to avoid epileptic sensitivity.

## Installation

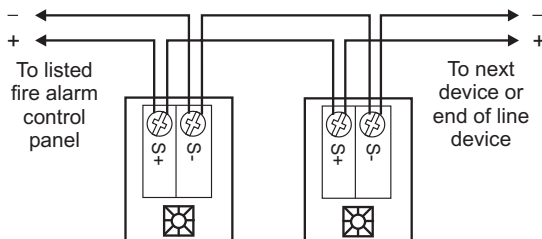
All models are intended for indoor applications only. Strobes mount to any flush North-American 4" square electrical box, 2<sup>1</sup>/<sub>8</sub>" (54 mm) deep.

Genesis ceiling strobes simply unlatch and twist to open. This gains access to mounting screws and the selectable candela switch. The shallow depth of Genesis devices leaves ample room behind the signal for extra wiring. Once installed with the cover in place, no mounting screws are visible.

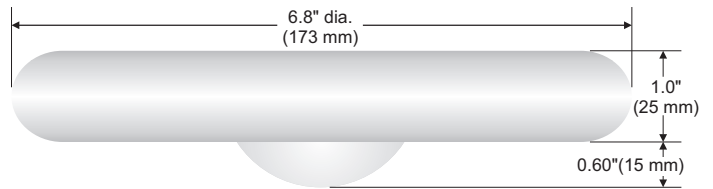


## Wiring

Field wiring terminals accommodate #18 to #12 AWG (0.75 mm<sup>2</sup> to 2.5 mm<sup>2</sup>) wiring. Strobes are interconnected with a single pair of wires as shown below.

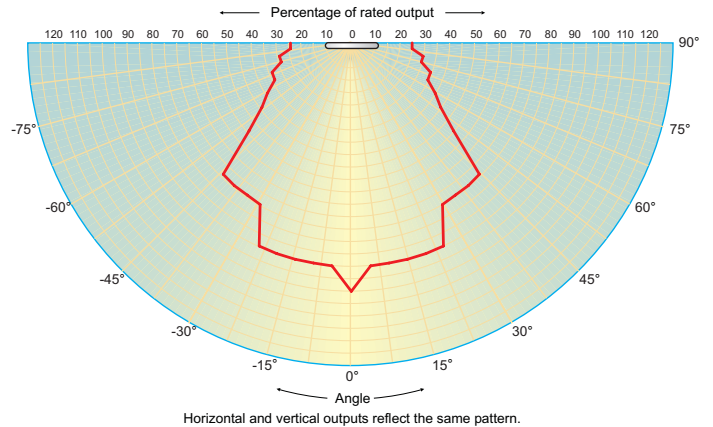


## Dimensions



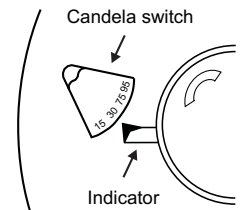
## Light output (effective cd)

Percent of UL rating versus angle



## Field Configuration

Depending on the model, Genesis ceiling strobes may be set for 15 to 95, or 95 to 177 candela output (see ordering information). The output setting is changed by simply opening the device and sliding the switch to the desired setting. The strobe does not have to be removed to change the output setting. The setting remains visible through a small window on the front of the device after the cover is closed.



**WARNING:** These devices will not operate without electrical power. As fires frequently cause power interruptions, we suggest you discuss further safeguards with your local fire protection specialist.

These visible signal appliances' flash intensity may not be adequate to alert or awaken occupants in the protected area. Research indicates that the intensity of strobe needed to awaken 90% of sleeping persons is approximately 100 cd. GE Security recommends that strobes in sleeping rooms be 110 cd minimum.

## Current Draw

UL Rating	15 cd RMS	30 cd RMS	75 cd RMS	95 cd RMS
16 Vdc	109	151	281	318
16 Vfwr	131	194	379	437

95 cd RMS	115 cd RMS	150 cd RMS	177 cd RMS
330	392	502	565
432	518	643	693

Typical Current	15 cd		30 cd		75 cd		95 cd	
	RMS	Mean	RMS	Mean	RMS	Mean	RMS	Mean
16 Vdc	94	87	140	135	273	268	325	323
20 Vdc	74	68	108	105	205	203	244	242
24 Vdc	63	59	90	88	168	166	194	192
33 Vdc	48	46	70	68	124	123	139	138
16 Vfwr	126	67	187	108	368	231	403	260
20 Vfwr	108	54	156	84	281	168	333	199
24 Vfwr	97	47	139	71	240	135	270	156
33 Vfwr	89	39	119	56	197	100	214	111

95 cd		115 cd		150 cd		177 cd	
RMS	Mean	RMS	Mean	RMS	Mean	RMS	Mean
333	330	392	390	499	496	551	545
259	257	303	301	378	375	429	426
212	210	245	243	306	304	342	340
155	153	180	174	211	209	236	234
484	283	570	339	673	411	724	446
380	212	438	248	537	312	604	352
318	172	361	198	434	243	484	273
245	123	269	137	308	160	338	176

### Notes and Comments

- Current values are shown in mA.
- UL nameplate rating is higher than typical current due to measurement methods and instruments used.
- GE Security recommends using the typical current for system design including NAC and Power Supply loading and voltage drop calculations.
- Use the Vdc RMS current ratings for filtered power supply and battery AH calculations. Use the Vfwr RMS current ratings for unfiltered power supply calculations.
- Fuses, circuit breakers and other overcurrent protection devices are typically rated for current in RMS values. Most of these devices operate based upon the heating affect of the current flowing through the device. The RMS current (not the mean current) determines the heating affect and therefore, the trip and hold threshold for those devices.
- Our industry has used 'mean' currents over the years. However, UL will direct the industry to use the 2004 RMS values in the future.

## Specifications

Housing	Textured UV stabilized, color impregnated engineered plastic. Exceeds 94V-0 UL flammability rating. Red and white models available.
Lens	Optical grade polycarbonate (clear).
Mounting	Flush mount to North American 4-inch square electrical box, 2-1/8 (54 mm) inches deep. No extension ring required. Suitable for indoor wall or ceiling applications.
Wire Connections	Screw terminals: #18 to #12 AWG (0.75 mm <sup>2</sup> to 2.5 mm <sup>2</sup> ) wire size.
Operating Voltage	Regulated 16 to 33 Vdc, 16 to 33 Vfwr.
Operating environment	Indoor: 32-120° F (0-49° C) ambient temperature; 0-93% relative humidity.
Agency listings/approvals	Meets or exceeds year 2004 UL requirements for standards UL1638 and UL1971 and Canadian requirements for standards CAN/ULC S526-02 and CAN/ULC S524-01. All models comply with ADA Code of Federal Regulation Chapter 28 Part 36 Final Rule. CSFM, MEA. FM pending.
Strobe output rating	UL 1971, UL 1638, ULC S526: selectable 15/30/75/95 cd (EGC-VM) and 95/115/150/177 cd (EGC-VMH)
Strobe operating voltage	EGC-VM series strobes: non-coded, filtered 16-33 Vdc or unfiltered 16-33 Vdc FWR.
Strobe flash rate	EGC-VM series strobes: one flash per second synchronized with optional EG1M Genesis Signal Master indefinitely within 10 milliseconds (or self-synchronized within 200 milliseconds over thirty minutes on a common circuit without EG1M Genesis Signal Master). Temporal setting (private mode only): synchronized to temporal output of Genesis audible signals on same circuit.
Synchronization	Meets or exceeds UL 1971 requirements. Maximum allowed resistance between any two devices is 20 Ohms. Refer to specifications for the synchronization control module, this strobe, and the control panel to determine allowed wire resistance.
Synchronization Sources	Module: EG1M-RM; Power Supplies: EBPS6A, EBPS10A; Panels: FX-10, FX-5, FX-3, FX-254, FX-64.

U.S.  
T 888-GESECURITY  
F 503-691-7566

Canada  
T 519 376 2430  
F 519 376 7258

Asia  
T 852 2907 8108  
F 852 2142 5063

Latin America  
T 305 593 4301  
F 305 593 4300

[www.gesecurity.com/fireworx](http://www.gesecurity.com/fireworx)

© 2009 General Electric Company  
All Rights Reserved.

Genesis Series is a trademark of GE Security.

## Ordering Information

Catalog Number	Housing Color	Marking	Description	Ship Wt. lbs (kg)
EGC-VM	White	None	Genesis Ceiling/Wall Strobe (selectable 15, 30, 75, or 95 cd output)	1.8 (0.82)
EGCF-VM	White	"FIRE"		
EGCFR-VM	Red	"FIRE"	Genesis Ceiling/Wall Strobe (selectable 95, 115, 150, or 177 cd output)	1.8 (0.82)
EGC-VMH	White	None		
EGCF-VMH	White	"FIRE"		

Accessories				
EG1M-RM	Genesis Signal Master - Remote Mount (1-gang)			0.2 (0.1)



White Field Configurable Ceiling Strobes may be ordered with or without optional 'FIRE' marking. Red Strobes come with 'FIRE' marking.



imagination at work