



Specialized Detection Devices

Duct Detector Test Switch

Model TSM-1

ARCHITECT AND ENGINEER SPECIFICATIONS

- Compatible with all Siemens — Fire Safety intelligent duct detectors
- Parallel functionality with a single Siemens Model HTRI-R interface module with relay used with a XLS/V fire alarm control panel (FACP)
 - Model TRI-R is used with a MXL/V FACP
- Uses a light-emitting diode (LED) to indicate detector is in *Alarm* mode
- Mounts in single-gang back box
- T-45 key operated
-  UL Listed and  ULC Listed
(As part of UL's *System Control Unit Accessories*)



Product Overview

The Duct Detector Test Switch (Model TSM-1) is a key-activated device that tests detectors for proper, consistent functionality. Each Model TSM-1 switch is compatible with Siemens — Fire Safety intelligent fire, smoke and duct detectors used on FireFinder® XLS / XLSV, MXL and MXLV fire alarm control panels (FACPs).

Each switch contains a **red** LED that illuminates when the corresponding duct detector is in *Alarm* mode, and operates in conjunction with a Model HTRI-R Interface Module with relay on a XLS / XLSV FACPs. Model TRI-R is used for MXL / MXLV systems.

Either the relay or the relay in the duct detector can be used for control of building equipment such as heating, ventilation, and air conditioning (HVAC) fans and elevators.

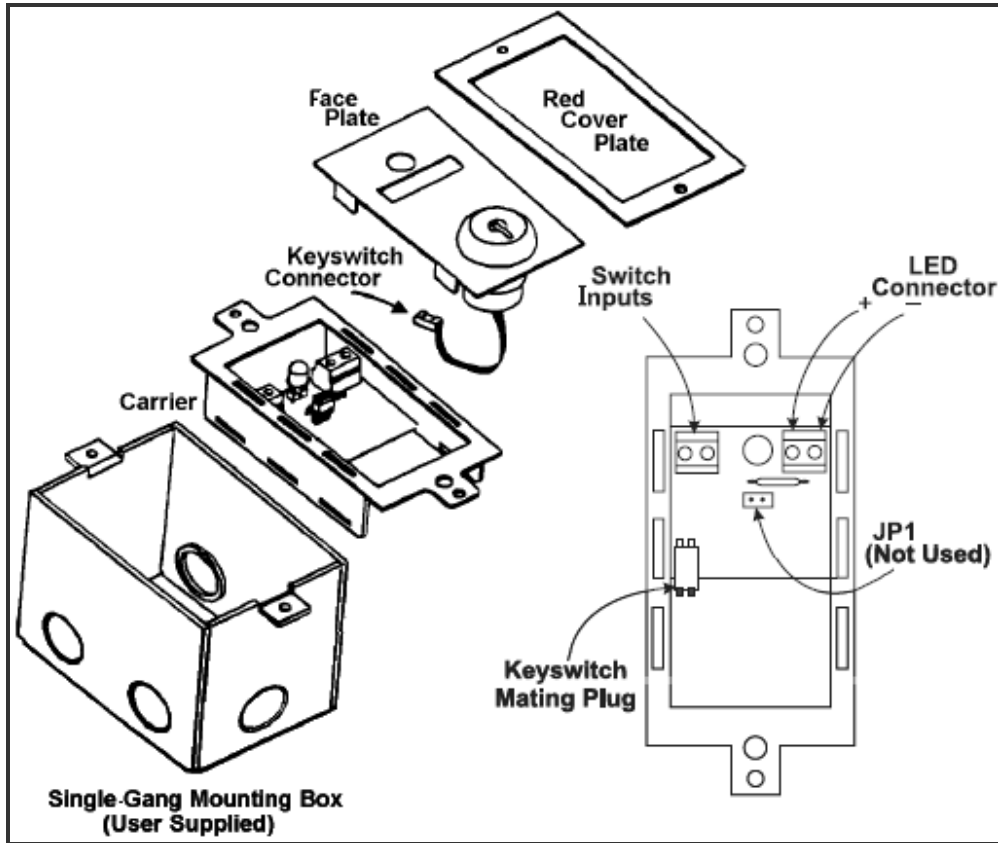
Specifications

When the switch is operated, a signal is transmitted to a given detector, sending that detector into *Alarm* mode. In turn, the *Alarm* event will activate all functions programmed to follow that detector. For this reason, Model TSM-1 provides an accurate test of the functionalities associated with duct detectors on the aforementioned FACPs, as required by many local fire-safety jurisdictions.

Every Model TSM-1 test switch mounts in a single-gang electrical back box and has a **red** cover plate.

Duct Detector Test Switch **6196**

Mounting Diagram — Test Switch Assembly —



Technical Data

Admissible Cable Cross Section:	14 — 18 American Wire Gauge (AWG)
------------------------------------	--------------------------------------

Details for Ordering

Model Number	Part Number	Description
TSM-1	500-696353	Duct Detector Test Switch

Notice: This marketing data sheet is not intended to be used for system design or installation purposes. For the most up-to-date information, refer to each product's installation instructions.

SIEMENS Industry, Inc.
Building Technologies Division

Fire Safety
8 Fernwood Road
Florham Park, NJ 07932
Tel: (973) 593-2600
FAX: (908) 547-6877
URL: www.usa.Siemens.com/Fire

(SII-FS)
Printed in U.S.A.

Fire Safety
2 Kenview Boulevard
Brampton, Ontario
L6T 5E4 / Canada
Tel: (905) 799-9937
FAX: (905) 799-9858

November 2012
Supersedes sheet dated 7/03
(Rev. 1)