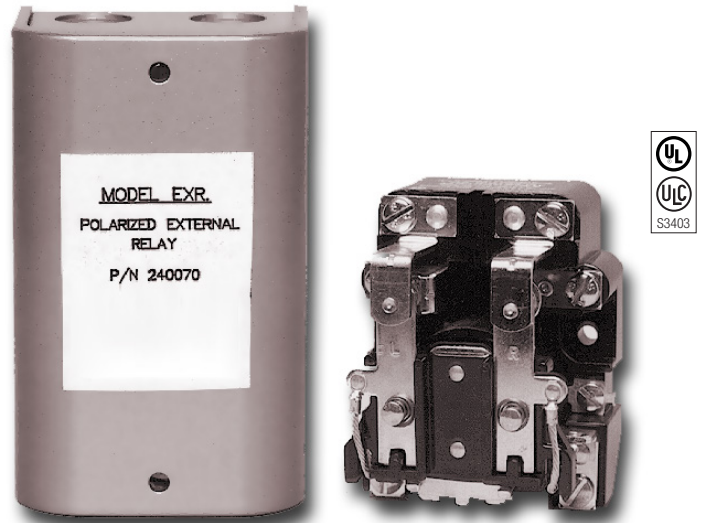




Technology that saves lives

# Heavy Duty Power Relays

MR 199 Series



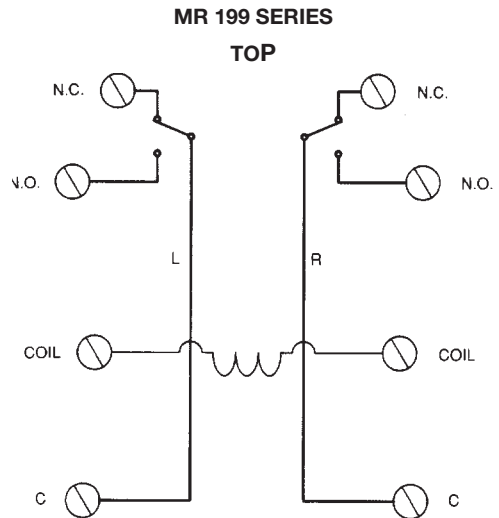
## Overview

The MR 199 Heavy Duty Power Relays are designed for control applications where 30 Amp DPDT contacts are required. Two models are available: a 115 Vac coil and a 24 Vdc coil, each of which may be mounted in a rugged steel enclosure.

## Standard Features

- Heavy duty 30 Amp DPDT contacts
- 24 Vdc or 120 Vac models available
- Sturdy metal enclosure

## Wiring





Technology that saves lives

Contact us...

Email: [kidde.fire@fs.utc.com](mailto:kidde.fire@fs.utc.com)

Web: [Kidde.com/EngineeredSystems](http://Kidde.com/EngineeredSystems)

Kidde is a UTC brand.  
1016 Corporate Park Drive  
Mebane, NC 27302

© 2016 United Technologies Corporation.  
All rights reserved.

## Specifications

Contact Arrangement	DPDT Standard
Contact Rating	30 Amps @ 300 Vac, 2 HP Motor Load
Coil Power	MR199X-13:24 Vdc @ 85 mA
Temperature Range	-22°F to 122°F (-30°C to 50°C)

### Dimensions

MR 199X13 & MR 199AX14	3.13 H x 2.5 W X 2.31 inches (79.4 H x 63.5 W x 58.7 D mm)
MR199 X13/C & MR199 AX14/C	5.31 H x 3.38 W x 3.13 D inches (134.9 H x 85.9 W x 96.8 D mm)

## Ordering Information

Model	Description
MR 199X13	DPDT, 24 Vdc, relay only
MR 199X13/C	DPDT, 24 Vdc, mounted in enclosure
MR 199AX14	DPDT, 120 Vac, relay only
MR 199AX14/C	DPDT, 120 Vac, mounted in enclosure