



Technology that saves lives

Synchronized Strobe

MS-7A, MS-8A



Patented

Overview

MS Series strobes are specially designed for use with compatible life safety communication and control equipment to alert the hearing impaired of a life safety event. Strobes are available with 15/75 cd, and 110 cd effective flash intensity. They are fully compatible with Genesis signals.

Strobes are shipped with standard wall mount style "FIRE" lens markings. Where ceiling mount, other languages, or different lens markings are required, Kidde offers optional LKW and LKC series Lens Marking Kits. These optional lens markings simply snap on to the strobe.

MS Series strobes are designed for 16 to 33 Vdc operation and must be connected to signal circuits that output a constant (not pulsed) voltage. A diode is used to allow full signal circuit supervision and polarized connections are made to terminals that accept up to #12 AWG (2.5mm²) wire.

The strobe housing/front plate is finished in red or white and is made from durable and fire retardant, high impact plastic with a slightly textured surface.

Standard Features

- UL 1971-listed synchronizing strobe**
 Integrity strobes synchronize to the latest UL 1971 requirements when used with a synchronization source.
- Genesis-compatible**
 All Genesis and Integrity strobes on the same circuit meet UL 1971 synchronization requirements when used with an external control module.
- Approved for public and private mode applications**
 UL 1971-listed as signaling devices for the hearing impaired and UL 1638-listed as protective visual signaling appliances.
- Rated for wall or ceiling installation**
- Field changeable field markings**
 Lens language or standard "FIRE" marking is easily changed with optional LKW and LKC series lens kits.
- Screw terminal wire connection**
 Large terminals speed installation and accept up to #12 AWG (2.5mm²) wire.
- Fits one-gang flush box**
 Ideal for retrofit and renovation projects. Optional color-matched surface boxes available.

Application

NOTE: The installation of visible and audible signals are subject to national and local standards, codes, and ordinances. Consult your Authority Having Jurisdiction for device installation requirements, application standards, and minimum performance specifications.

Strobes are UL 1971-listed for use indoors as wall-mounted public-mode notification appliances for the hearing impaired. Prevailing codes require strobes to be used where ambient noise conditions exceed specified levels, where occupants use hearing protection, and in areas of public accommodation. Consult with your Authority Having Jurisdiction for details.

As part of the Enhanced Integrity line of products, MS Series strobes exceed UL synchronization requirements (within 10 milliseconds other over a two-hour period) when used with a synchronization source. Synchronization is important in order to avoid epileptic sensitivity.

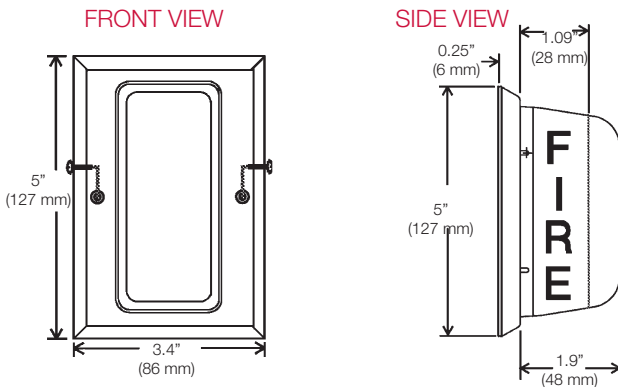
Integrity strobes are fully compatible with Genesis Series signals.

NOTE: The flash intensity of some visible signals may not be adequate to alert or waken occupants in the protected area. Research indicates that the intensity of strobe needed to awaken 90% of sleeping persons is approximately 100 cd. Kidde recommends that strobes in sleeping rooms be rated at at least 110 cd.

WARNING: These devices will not operate without electrical power. As fires frequently cause power interruptions, further safeguards such as backup power supplies may be required.

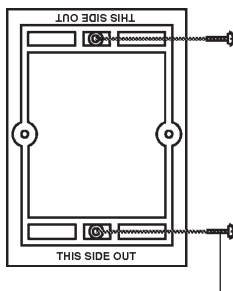
Installation and Mounting

All models fit to a standard flush mounted, North American one-gang electrical box, two inch (51mm) deep minimum. Optional Color-matched indoor surface-mount boxes are available. Strobes must be connected to signal circuits which output a constant (not pulsed) voltage. Kidde recommends that these strobes always be installed in accordance with the latest recognized edition of national and local fire alarm codes.



"FIRE" lens (wall orientation) supplied. Other lens markings are available (see ordering table).

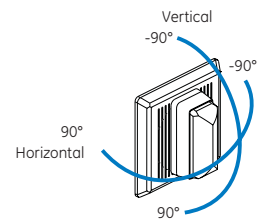
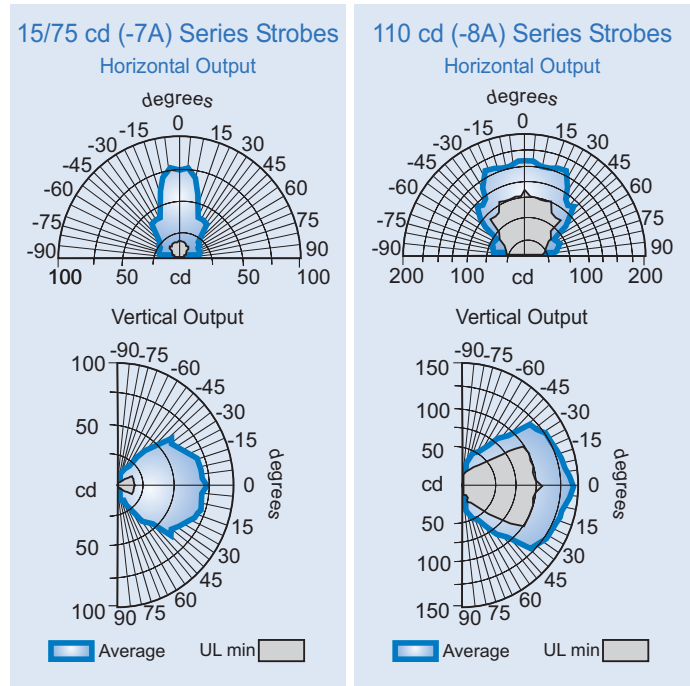
MOUNTING PLATE



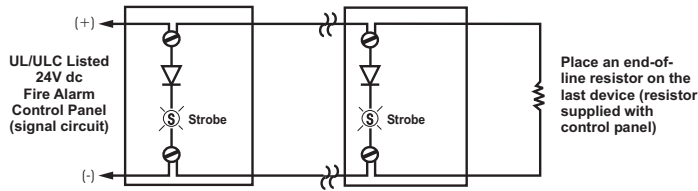
Two pan head slotted screws are provided to secure mounting plate to 1-gang electrical box.

Light Distribution Patterns

UL 1971 WALL MOUNTED STROBE LIGHT OUTPUT



Typical Wiring – 24 Vdc



CAUTION: This unit is designed to be used on signal circuits that output a constant voltage. Do not connect this unit to a coded or pulsating voltage. Electrical supervision requires wire run to be broken at each device. Do not loop signal circuit field wires around the strobe terminals.

Operating Current (RMS)

UL Rating	15/75 cd	110 cd
16 Vdc	150	329
16 Vfwr	210	420

Typical Current	15/75 cd	110 cd
24 Vdc	90	180
24 Vfwr	128	260
120 Vac	N/A	104 mA

Vdc: Volts direct current, regulated and filtered

Vfwr: Volts full wave rectified

Current Draw Notes and Comments

1. Current values are shown in mA.
2. UL Nameplate Rating can vary from Typical Current due to measurement methods and instruments used.
3. Kidde recommends using the Typical Current for system design including NAC and Power Supply loading and voltage drop calculations.
4. Use the 16 Vdc RMS current ratings for filtered power supply and battery AH calculations. Use the 16 Vfwr RMS current ratings for unfiltered power supply calculations.
5. Fuses, circuit breakers and other overcurrent protection devices are typically rated for current in RMS values. Most of these devices operate based upon the heating affect of the current flowing through the device. The RMS current determines the heating affect and therefore, the trip and hold threshold for those devices.

Specifications

Catalog Number	MS-7A	MS-8A
UL 1971 Rated Strobe Output - candela (cd)	15cd (wall or ceiling)	110cd (wall); 60cd (ceiling)
UL 1638/ULC S526 Rated Strobe Output	75cd	110cd
Strobe Flash Rate	Synchronized at one flash per second. External control module necessary to meet UL 1971 synchronization requirements of 10 milliseconds over a two-hour period.	
Strobe Operating Volts	16-33 Vdc/fwr (UL voltage designations "Regulated 24" and "24 fwr")	
Synchronization Sources	MEG1M-RM, GSA-CC1S, GSA-MCC1S, MIRBPS6A, MIRBPS10A	
Environment for Indoor Rating	93% relative humidity @ 86° F (30° C); Temperature Range 32° F to 120° F (0° C to 49° C)	
Environment for Outdoor Rating	95% relative humidity @ 90° F (32° C); Temperature Range -40° F to +150° F (-40° C to +66° C)	
Lens Markings	Supplied with LKW-1 "FIRE" red letters, vertical both sides (Wall Mount). See LKW and LKC series for ceiling style and optional markings.	
Wire Connections	Terminals - polarized input, #12 AWG (2.5mm ²) max wire size	
Flash Tube Enclosure	Clear LEXAN	
Strobe Plate, Finish	Textured color-impregnated plastic. Exceeds 94V-0 UL Flammability Rating	
Mounting	Flush - One-gang, 2-inch deep North American electrical box; Surface - 27193 series box or one-gang wiremold box.	
Agency Listings	UL 1971, UL 1638, ULC S526, CE, FM, CSFM, MEA (All models comply with ADA Code of Federal Regulation Chapter 28 Part 36 Final Rule)	

NOTE: For outdoor surface mounting of 203-8A, use 897B-008 red weatherproof wallbox.



Technology that saves lives

Contact us...

Email: kidde.fire@fs.utc.com
 Web: kidde.com/engineeredsystems

1016 Corporate Park Drive
 Mebane, NC 27302

Kidde is a registered mark in the United States and other countries.

© 2018 Walter Kidde Portable Equipment.
 All rights reserved.

Ordering Information

Catalog Number	Description	Ship Wt. lb. (kg)
MS-7AR	Strobe - 15/75 cd, Red	1 (0.45)
MS-7ARW	Strobe - 15/75 cd, White	
MS-8AR	Strobe - 110 cd, Red	
MS-8ARW	Strobe - 110 cd, White	
Synchronization Sources		
EG1M-RM	Genesis Signal Master Remote Mount (1-gang)	0.2 (0.1)
GSA-CC1S	Synchronization Output Module (Standard Mount) - UL/ULC Listed	0.5 (0.23)
GSA-MCC1S	Synchronization Output Module (UIO Mount) - UL Listed	0.18 (0.08)
MIRBPS6A	6.5 Amp Booster Power Supply	13 (5.9)
MIRBPS10A	10 Amp Booster Power Supply	13 (5.9)
APS6A	6.5 Amp Auxiliary Power Supply	26 (11.8)
APS10A	10 Amp Auxiliary Power Supply	26 (11.8)
Mounting Accessories		
27193-11	Surface Mount Box - Indoor, 1-gang Red	1 (0.45)
27193-16	Surface Mount Box -Indoor, 1-gang White	
Lens Markings Kits		
LKW-1	"FIRE" - Wall (supplied)	(0.2 lb, 0.1 kg)
LKW-1R	"FIRE" - Wall (Red)	
LKW-2	"FEU" - Wall	
LKW-3	"FIRE/FEU" - Wall	
LKW-4	"SMOKE" - Wall	
LKW-5	"HALON" - Wall	
LKW-6	"CO2" - Wall	
LKW-7	"EMERGENCY" - Wall	
LKW-8	"ALARM" - Wall	
LKW-9	"FUEGO" - Wall	
LKC-1	"FIRE" - Ceiling	(0.2 lb, 0.1 kg)
LKC-2	"FEU" - Ceiling	
LKC-3	"FIRE/FEU" - Ceiling	
LKC-4	"SMOKE" - Ceiling	
LKC-7	"EMERGENCY" - Ceiling	
LKC-8	"ALARM" - Ceiling	
LKC-9	"FUEGO" - Ceiling	
LKW-10	"ALERT" - Wall	