

FIRE ALARM BELLS

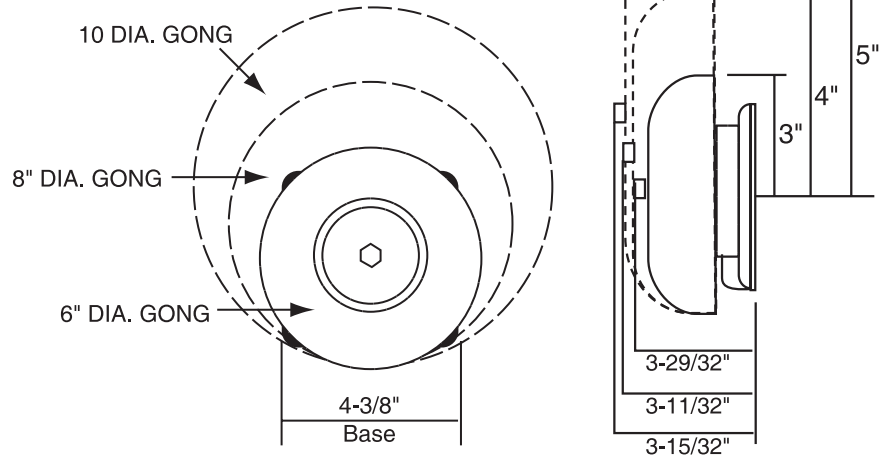
24 Volt DC and 120 Volt AC



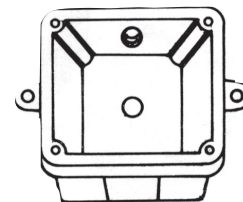
ARGCO's Alarm Bells provide an audible notification of a sprinkler system event. Can be used to signal flow with in the sprinkler system or tampering with a monitored valves. Each bell is complete and provides 4 wire connectivity for "through" wiring to additional devices*. UL Listed.



- 6515105: 6" 120 Volt AC
- 6515103: 8" 120 Volt AC
- 6515100: 10" 120 Volt AC
- 6515112: 6" 24 Volt DC
- 6515110: 10" 24 Volt DC
- 6515120: Back Box



RATING	6" GONG SIZE		8" GONG SIZE		10" GONG SIZE	
	Rated Current	Sound Level at 1 Meter	Rated Current	Sound Level at 1 Meter	Rated Current	Sound Level at 1 Meter
24Volt DC 120V Volt AC	100mA 25mA	95dB 95dB	100mA 25mA	95dB 95dB	100mA 25mA	96dB 98dB



Back Box
Item #6515120
Sold Separately
Dimensions on page 2

System No.		Location		Spec Section		Paragraph	
Submitted By		Date		Approved		Date	

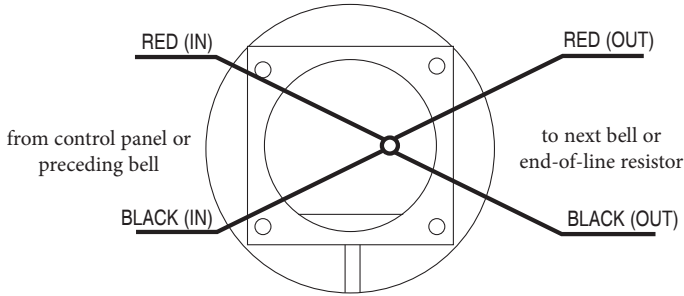
FIRE ALARM BELLS

24 Volt DC and 120 Volt AC



WIRING INSTRUCTIONS

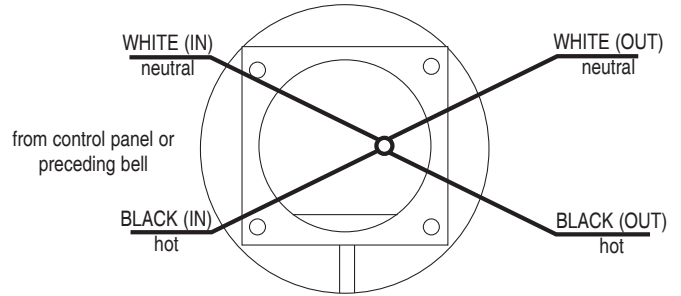
24 Volt D.C. BELLS (observe polarity)



When electrical supervisor is required use in and out leads as shown.

1. Observe polarity to ring DC bells
2. Red wires positive (+)
3. Black wires negative (-)

12 Volt A.C. BELLS



When electrical supervisor is required use in and out leads as shown.

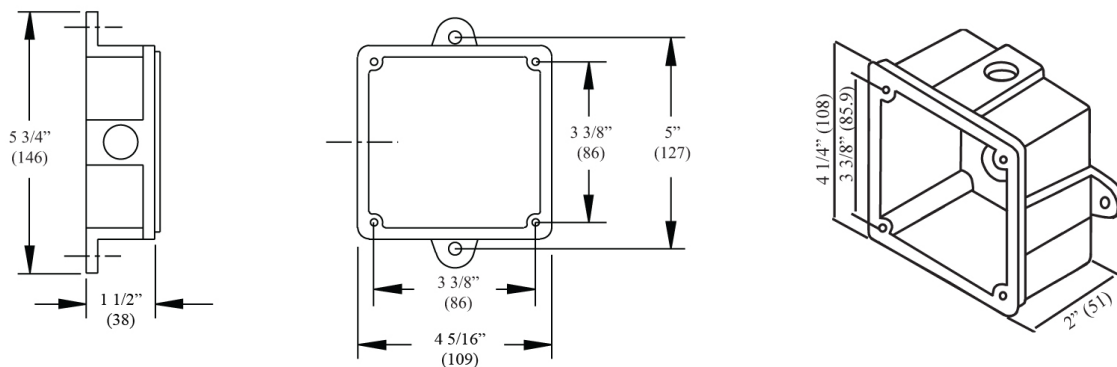
1. When using AC bells, terminate each extra wire separately after last bell
2. End-of-line resistor is not required on AC bells.
3. White wire is neutral, Black wire is hot.

INSTALLATION:

1. The bell should be mounted a minimum of 8 ft. from the floor or as close to the ceiling as possible.
2. Remove the gong
3. Connect the wiring (see diagram).
4. Mount bell mechanism to backbox (bell mechanism must be mounted with the striker pointing down).
5. Reinstall the gong (be sure that the gong positioning pin, in the mechanism housing, is in the hole in the gong).
6. Test all bells for proper operation that they can be heard where required (bells must be heard in all areas as designated by the authority having jurisdiction).

FIRE ALARM BELLS - BACK BOX

Box has one threaded 1/2" conduit entrance



System No.		Location		Spec Section		Paragraph	
Submitted By		Date		Approved		Date	