

# SIEMENS

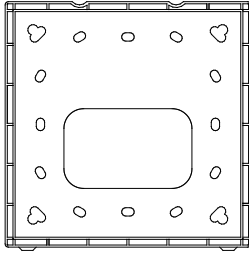
# MOUNTING DETAILS

Fire Safety

## Mounting Matrix / Details

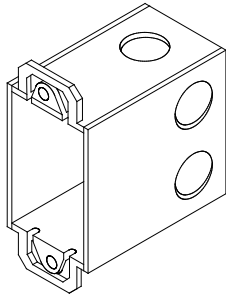
### ENGINEER AND ARCHITECT SPECIFICATIONS

#### (A) UNIVERSAL MOUNTING PLATE



"AS" Mounting (item included with AS series devices)

#### (B) SINGLE-GANG, FLUSH (BO)

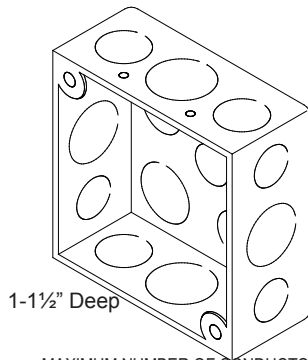


MAXIMUM NUMBER OF CONDUCTORS

AWG. #18	AWG. #16	AWG. #14	AWG. #12
4	4	4	4

Used with Series AH, AS, MH, NH, NS, ST

#### (D) 4" SQUARE, FLUSH (BO)



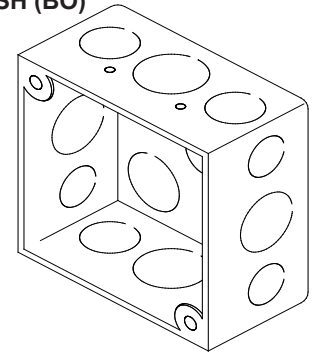
MAXIMUM NUMBER OF CONDUCTORS

AWG. #18	AWG. #16	AWG. #14	AWG. #12
4	4	4	4

Used with Series MH115, B6, B10, AH, AS, HS, MBDC, MTH, NH, NS, ST

#### (E) 4" SQUARE, DEEP, FLUSH (BO)

2-1/8" Deep

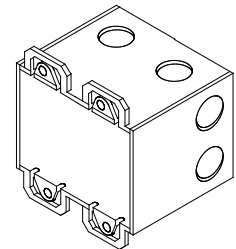


MAXIMUM NUMBER OF CONDUCTORS

AWG. #18	AWG. #16	AWG. #14	AWG. #12
8	8	8	8

Used with Series MH115, B6, B10, AH, AS, SETSF, SET-ULC, HS, MBDC, MTH, NH, NS, ST

#### (F) DOUBLE-GANG, FLUSH (BO)



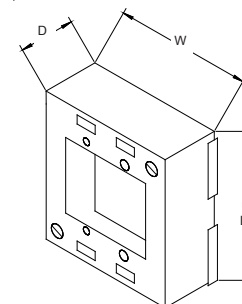
MAXIMUM NUMBER OF CONDUCTORS

AWG. #18	AWG. #16	AWG. #14	AWG. #12
4	4	4	4

Used with Series AH, AS, HS, MT, NH, NS, ST

#### (G) DOUBLE-GANG, SURFACE (BO)

L.	W.
4-3/4"	4-3/4"
D.	GANG #
1-3/4"	2



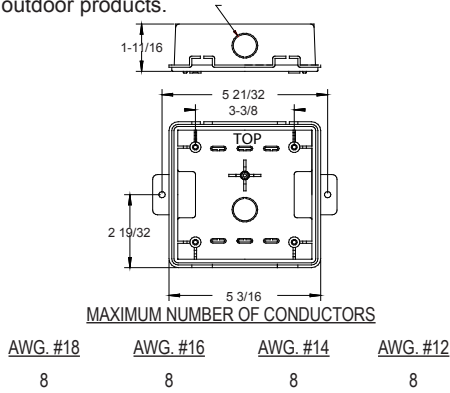
MAXIMUM NUMBER OF CONDUCTORS

AWG. #18	AWG. #16	AWG. #14	AWG. #12
4	4	4	4

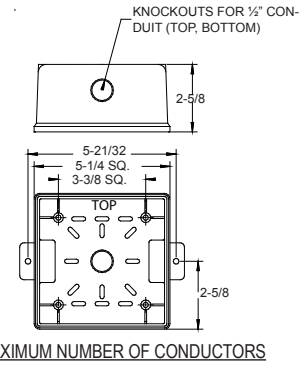
Used with Series AH, AS, NH, NS, ST

**(I) WPBBS (ORDER CODE: RED 500-636137)**

Plastic backbox for surface mounting series AS weather-proof outdoor products.



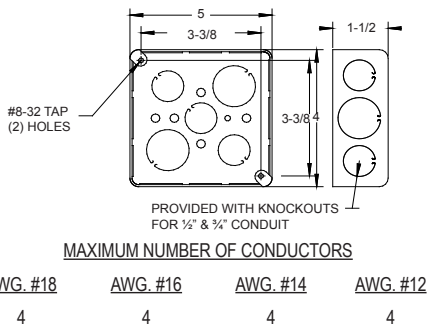
**(M) MT-SUR-BOX BACKBOX (ORDER CODES: RED 500-693168, WHITE 500-636118)**



Used with Series SET, HS, MTH, MTWP. For surface mounting MT products.

**(J) BBS BACKBOX (ORDER CODES: RED 500-636110)**

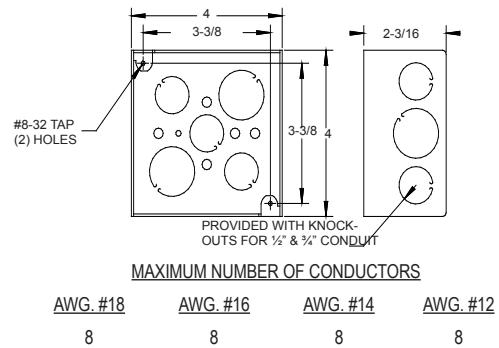
Standard steel backbox with knockouts for interior surface mounting, concealed conduit mounting or semi-flush applications.



Used with Series MH115, B6, B10, AH, AS, MBDC, MTH-15-115, NH, NS, ST

**(N) DBBS BACKBOX (ORDER CODE: RED 500-636111)**

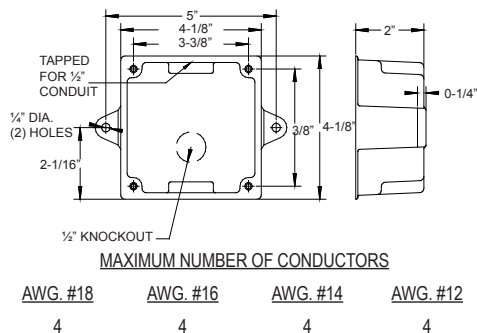
Standard steel backbox provided with knockouts for interior surface mounting, concealed conduit mounting or semi-flush applications.



Used with Series MH115, B6, B10, AH, AS, SETSF, HS, MBDC, MTH, NH, NS, ST

**(K) WBBS WEATHER RESISTANT BACKBOX (ORDER CODES: RED 500-636129, WHITE 500-636131)**

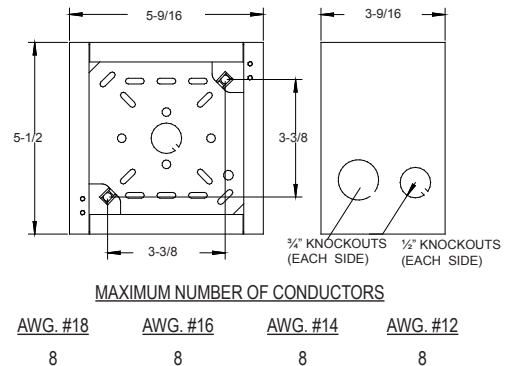
Sturdy die cast housing, threaded conduit hole and knockout for outdoor applications.



Used with Series MH115, B6, B10, SETSF, MBDC, MTH-15-115

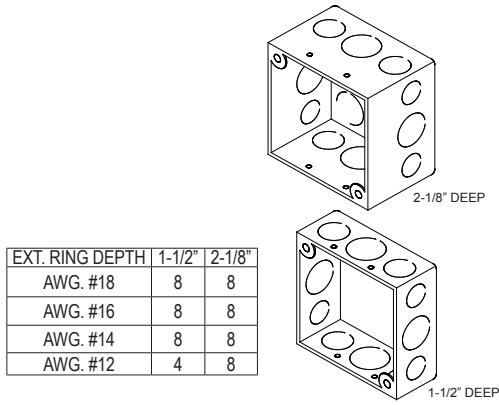
**(P) SBBS BACKBOX (ORDER CODES: RED 500-636119, WHITE 500-636120)**

For surface mounting speakers, chimes, and electronic applications.



Used with Series B6, B10, CH, SEF, SET, SETFL, HS, MBDC, MTH, NH, NS, ST

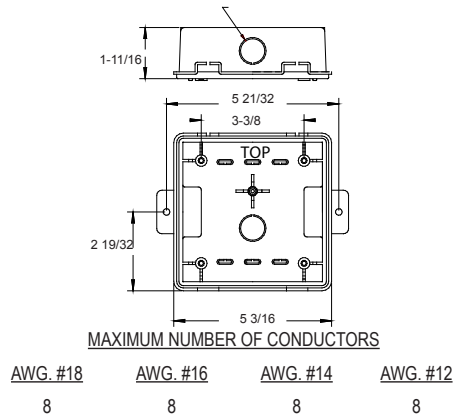
**(Q) 4" SQUARE DEEP W/ EXTENSION RING, FLUSH (BO)**



EXT. RING DEPTH	1-1/2"	2-1/8"
AWG. #18	8	8
AWG. #16	8	8
AWG. #14	8	8
AWG. #12	4	8

Used with Series CH, SEF, SET, SETFL

**(T) WPSBBS (ORDER CODES: RED 500-636139, WHITE 500-636140)**



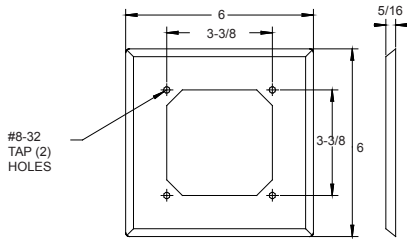
MAXIMUM NUMBER OF CONDUCTORS

AWG. #18	AWG. #16	AWG. #14	AWG. #12
8	8	8	8

Used with Series ST-WP

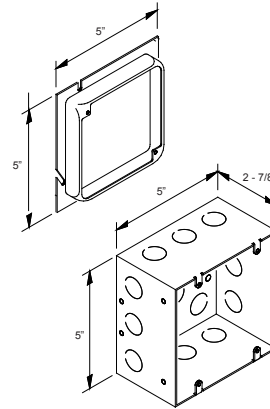
**(R) SFPS SEMI-FLUSH PLATE (ORDER CODES: RED 500-636124, WHITE 500-636125)**

Stamped aluminum surface wall plate which mounts behind the basic unit and serves to cover recessed backboxes in semi-flush mounting applications.



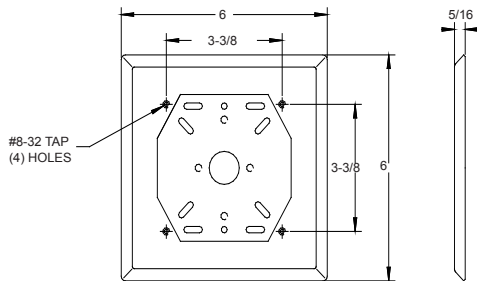
Used with Series MT, SET, SE, NH, NS, ST

**(U) 5" SQUARE BACKBOX W/ EXTENSION RING, FLUSH (BO)**



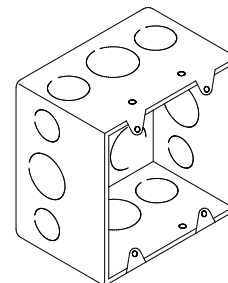
**(S) APS ADAPTER PLATE (ORDER CODE: RED 500-630109)**

Stamped aluminum adapter plate designed for applications where semi-flush installations cannot be used. The plate can be mounted to standard octagon or round backboxes single or double gang boxes or plaster rings. The backbox and basic unit are then fastened to the plate. This type mounting is referred to as a concealed conduit installation.



Used with Series MBDC

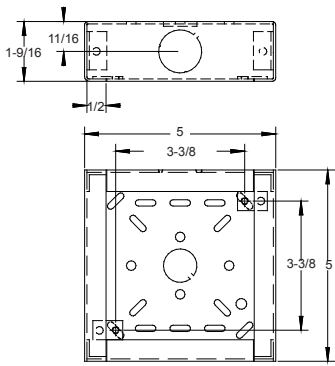
**(W) 4 11/16" SQUARE, DEEP SURFACE (BO)**



MAXIMUM NUMBER OF CONDUCTORS

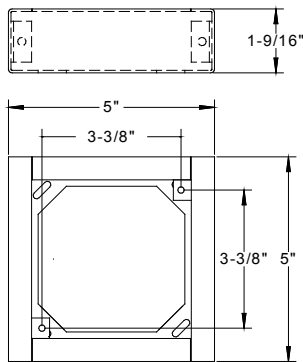
AWG. #18	AWG. #16	AWG. #14	AWG. #12
10	10	10	10

**(X) SHBBS SQUARE, SURFACE BACKBOX**  
 (Order Codes: Red 500-636126, White 500-636127)



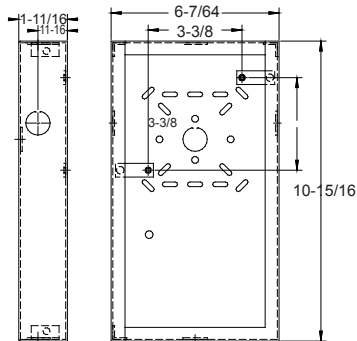
Used with Series AS, AH, NS, Z

**(Y) SERS SQUARE SEMI-FLUSH EXTENSION RING** (Order Codes: Red 500-636122, White 500-636123)

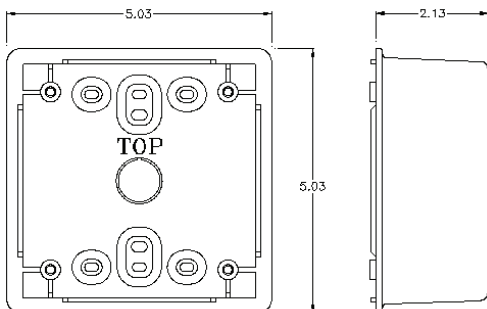


Used with Series CH, SEF, SET

**(Z) SBL2S BACKBOX** (Order Codes: RED 500-636121)

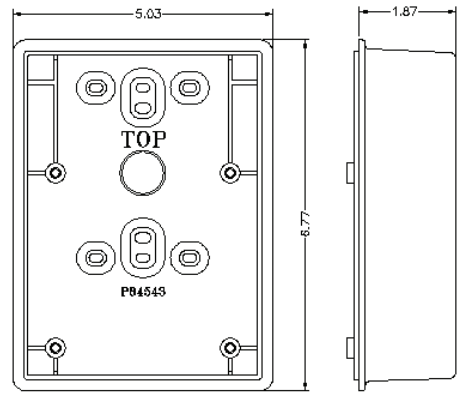


**(AA) SPSB** (Order Codes: Red 500-636112, White 500-363113)



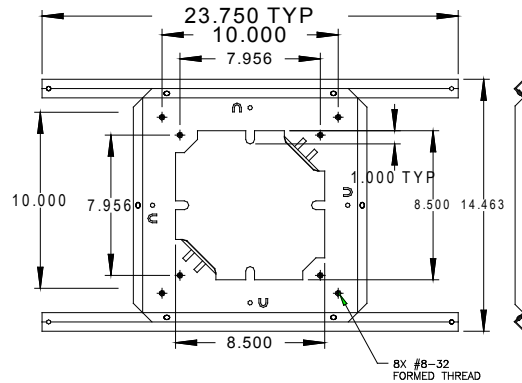
Used with Series SE Speakers

**(BB) SPSSB** (ORDER CODES: RED 500-636114, WHITE 500-636115)



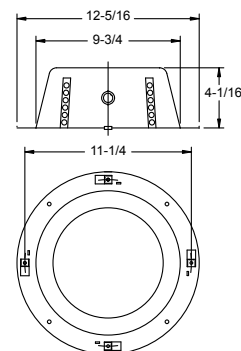
Used with Series SE-MC/HMC (wall mount speaker/ strobe)

**(CC) SB-W 8" CEILING SUPPORT BRIDGE** (ORDER CODE: WHITE 500-634882)



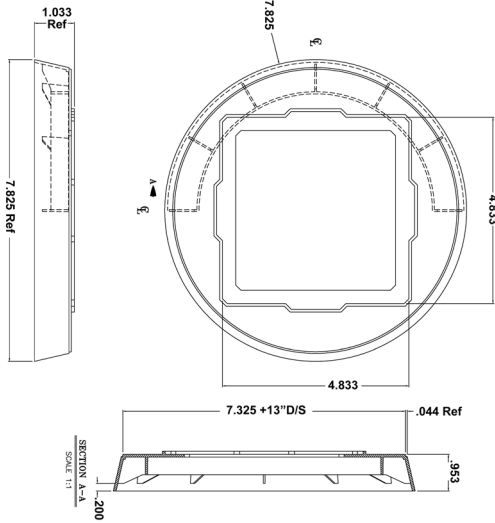
Used with Series S 8" Ceiling Speakers

**(DD) SE-1 8" CEILING SPEAKER BACKBOX** (ORDER CODE: WHITE: 500-634881)



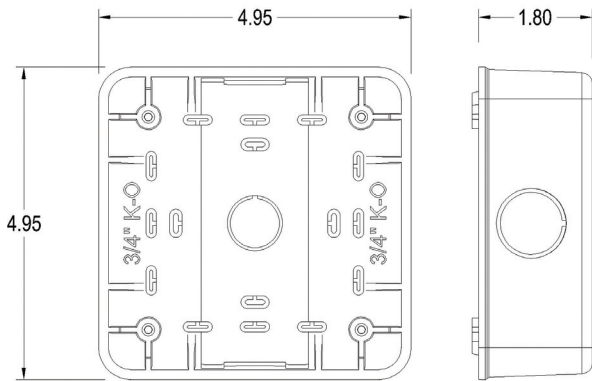
Used with 8" Ceiling Speakers

**(EE) SPEXT EXTENSION RING (ORDER CODE: RED 500-636116, WHITE 500-636117)**



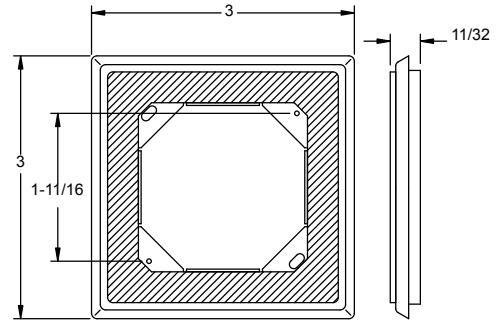
Used with Series SE-MC-C (ceiling mount strobe)

**(FF) ZBB (ORDER CODES: RED 500-636193, WHITE 500-636194)**



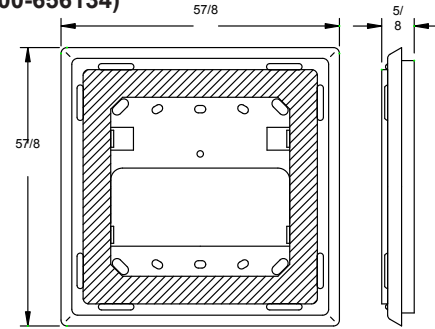
Used with Series Z

**(GG) WFPS PLATE (ORDER CODES: RED 500-636135, WHITE 500-636136)**



Used with MTH-WP, ST-WP

**(HH) WFPAS PLATE (Order Codes: Red 500-363133, White 500-656134)**



Used with AS-WP

# MOUNTING MATRIX

	Series SET-C	Series ST	Series ST-MC-RETRO	Series MH115	Series SE	Series B10-115	Series CH	Series SETSF-B	Series SETSF	Series MBDC	Series SET/SET Wall Mount	Series SE-C	Series MH	Series MTH	Series NH/NS	Series HS	Series AS/AH	Series AH-WB(3), MT-WP(4), MTH	Series Z
(A) Universal Mounting Plate (included with AS series devices)																		X	
(B) 1-GANG x 2" Deep - Flush (BO)		X										X		X				X	X
(D) 4" x 4" x 1.5" Deep - Flush (BO)		X	X	X		X			X					X	X			X	X
(E) 4" x 4" x 2.125" Deep - Flush (BO)		X	X	X	X	X		X	X					X	X	X	X	X	X
(F) 2-Gang x 3.5" Deep - Flush (BO)		X												X	X	X	X	X	X
(G) 2-Gang x 1.75" Deep - Surface (BO)		X													X			X	
(I) WPBBS-R Weatherproof Backbox for AS-WP																			2
(J) BBS Surface (SP) Note 9		X		X	X				X						X				
(K) WBBS Weatherproof (SP)				X	X			X	X								X		3
(M) MT-SUR-BOX Surface & Weatherproof (SP)										X			X			X			4
(N) DBBS Surface (SP)		X		X	X			X	X				X	X	X	X			
(P) SBBS Surface (SP)	X	X			X	X	X		X	X			X	X	X	X			
(Q) 4" x 4" x 2.125" Box w/ 1.5" Extension Ring- Flush (BO)	X		X			X	X			X	X								
(R) SPT Semi-Flush Plate (SP)		X		X	X	X	X		X	X			X	X	X	X			
(S) APS Adapter Plate (SP)					X			X	X	X									
(T) WPSBBS-R Weatherproof Backbox for ST-WP																			1
(U) 5" Square Backbox w/ Extension Ring, Flush (BO)	X					X	X					X							
(W) 4.6875" x 4.6785" x 2.125" Deep Surface (BO)																			
(X) SHBBS (SP) Shallow Surface		X			X					X					X		X		
(Y) SERSSemi-Flush Extension Ring (Retrofit Appl.)	X					X					X								
(Z) SBLS-2 Surface (SP)		X	X	X		X	X	X		X									
(AA) SPSB Backbox for SE Speaker					X														
(BB) SPSSB Backbox for SE Speaker Strobe					X														
(EE) SPEXT Extension Ring												X							
(FF) ZBB																			X

## MOUNTING NOTES

Caution: The mounting options figures show the maximum number of field wires (conductors) that can enter the backbox used with each mounting option. If these limits are exceeded, there may be insufficient space in the backbox to accommodate the field wires and stresses from the wires could damage the product.

Although the limits shown for each mounting option comply with the National Electrical code (NEC), Siemens recommends use of the largest backbox option and the use of approved field wires whenever possible, to provide additional wiring room for easy installation and minimum stress on the product from wiring.

Caution: Check that the installed product will have sufficient clearance and wiring room prior to installing backboxes and conduit, especially if sheathed multiconductor cable or 3/4" conduit fittings are used.

1. Mounting hardware for each mounting option is supplied.
2. Conduit entrances to the backbox should be selected to provide sufficient wiring clearance for the installed product. When extension rings are required, conduit should enter through the backbox, not the extension ring. Use Steel City #53151 (1-1/2" deep) or #53171 (2-1/8" deep) extension rings (as noted in the mounting options) or equal with the same cut-out area.

3. When terminating field wires, do not use more lead length than required. Excess lead length could result in insufficient wiring space for the appliance.
4. Use care and proper techniques to position the field wires in the backbox so that they use minimum space and produce minimum stress on the product. This is especially important for stiff, heavy gauge wires and wires with thick insulation or sheathing.
5. Do not pass additional wires (used for other than the appliance) through the backbox "unless the backbox is of a sufficient size to permit additional wiring as described in NEC 314.16 (B)". Such additional wires could result in insufficient wiring space for the appliance.

NOTE: Due to continuous development of our products, specifications and offerings are subject to change without notice in accordance with Siemens Inc. standard terms and conditions.

# BACKBOX MOUNTING HEIGHTS for SIEMENS WALL MOUNTED HORIZONTAL STROBE APPLIANCES NFPA-72 (2007)

7.5.4.1\* Wall-mounted appliances shall be mounted such that the entire lens is not less than 2030 mm (80 in.) and not greater than 2440 mm (96 inc.) above the finished floor or at the mounting height specified using the performance-based alternative 7.5.4.5

7.5.4.2 Where low ceiling heights do not permit mounting at a minimum of 2030 mm (80 in.), visible appliances shall be mounted within 150 mm (6 in.) of the ceiling. The room size covered by a strobe of a given value shall be reduced by twice the difference between the minimum mounting height of 2030 mm (80 inc.) and the actual, lower mounting height.

Backbox Mounting Options*	Series AS/AH Audible Strobe		Series ST-MC-RETRO Flush and Surface Retrofit Plate		Series NS Horn Strobe		Series Z and ST Strobe		Series MTH Multitone	
	80 IN	6 IN	80 IN	6 IN	80 IN	6 IN	80 IN	6 IN	80 IN	6 IN
(B) 1-Gang x 2" Deep - Flush (BO)	77 1/2"	8 1/2"			78 3/8"	7 5/8"	79 1/8"	6 7/8"		
(D) 4" x 4" x 1.5" Deep - Flush (BO)	77"	9"	83 15/16"		77 7/8"	8 1/8"	78 5/8"	7 3/8"	79 15/16"	6 1/16"
(E) 4" x 4" x 2.125" Deep - Flush (BO)	77"	9"	83 15/16"		77 7/8"	8 1/8"	78 5/8"	7 3/8"	79 15/16"	6 1/16"
(F) 2-Gang x 3.5" Deep - Flush (BO)	77 1/2"	8 1/2"			78 3/8"	7 5/8"	79 1/8"	6 7/8"	80 9/16"	5 7/16"
(G) 2-Gang x 1.75" Deep - Surface (BO)	77 1/2"	8 1/2"			78 3/8"	7 5/8"	79 1/8"	6 7/8"	80 9/16"	5 7/16"
(M) MT-SUR-BOX Surface & Weatherproof (SP)									79 3/8"	6 5/8"
(P) SBBS Surface (SP)									79 1/4"	6 3/4"
(Q) 4" x 4" x 2.125" Box w/ 1.5" Extension Ring - Flush (BO)										
(U) 5" Square Backbox w/ Extension Ring, Flush (BO)	69 1/2"	8 1/2"	83 7/16"		77 3/8"	7 5/8"	78 1/8"	6 7/8"	79 7/16"	5 9/16"
(X) SHBBS (SP) Shallow Surface	76 1/2"	9 1/2"			77 3/8"	8 5/8"	78 1/8"	7 7/8"		
(Y) 4" x 4" x 1.5" Box w/ 1.5" Extension Ring Plate (BO)										
(Z) SBL2S Surface (SP)			78"							
(FF) ZBB							78 1/8"	7 7/8"		

Backbox Mounting Options*	Series CH Chime Strobe		Series SET-V Speaker Strobe		Series SEF-C Speaker Strobe		Series SET-C Speaker Strobe	
	80 IN	6 IN	80 IN	6 IN	80 IN	6 IN	80 IN	6 IN
(P) SBB Surface (SP)	77 3/4"	8 1/4"	79 3/16"	6 13/16"	77 3/4"	8 1/4"	77 3/4"	8 1/4"
(Q) 4" x 4" x 2.125" Box w/ 1.5" Extension Ring - Flush (BO)	77 1/2"	7 1/2"	80"	6"	78 1/2"	7 1/2"	78 1/2"	7 1/2"
(U) 5" Square Backbox w/ Extension Ring - Flush (BO)	78"	7"	79 1/2"	5 1/2"	78"	7"	78"	7"
(X) SHBB (SP) Shallow Surface								
(Y) 4" x 4" x 1.5" Box w/ 1.5" Extension Ring Plate - Flush (BO)	78 1/2"	7 1/2"	80"	6"				

\* Measured from Bottom of Backbox

NOTES: (BO) = By Others (SP) = Siemens Product

**WARNING:** PLEASE READ THESE SPECIFICATIONS AND INSTALLATION INSTRUCTIONS CAREFULLY BEFORE USING, SPECIFYING OR APPLYING THIS PRODUCT. FAILURE TO COMPLY WITH ANY OF THESE INSTRUCTIONS, CAUTIONS AND WARNINGS COULD RESULT IN IMPROPER APPLICATION, INSTALLATION AND/OR OPERATION OF THESE PRODUCTS IN AN EMERGENCY SITUATION, WHICH COULD RESULT IN PROPERTY DAMAGE, AND SERIOUS INJURY OR DEATH TO YOU AND/OR OTHERS.

**Siemens Building Technologies**  
**Fire Safety**

**Fire Safety**  
8 Fernwood Road  
Florham Park, NJ 07932  
Tel: (973) 593-2600  
FAX: (973) 593-6670  
Website: [www.sbt.siemens.com/fi](http://www.sbt.siemens.com/fi)

6/07  
5M  
SFS-IG  
Printed in U.S.A.

**Fire Safety**  
2 Kenview Boulevard  
Brampton, Ontario  
Canada L6T 5E4  
Tel: (905) 799-9937  
FAX: (905) 799-9858

**June 2007**  
New Issue