



**UNITED BRASS WORKS, INC.**

714 S. Main St. Randleman, N.C. 27317

Tel: 800-334-3035 Fax: 800-498-4696 www.ubw.com



## Model 68 Threaded Check Valve

**Male NPT x Female NPT**

**UL Listed • FM Approved**

*\*As anti-water hammer check valve for fire pump service only!*

**250 WOG @ 180 ° Max**

**100% Pressure Tested**

**Threaded Ends**

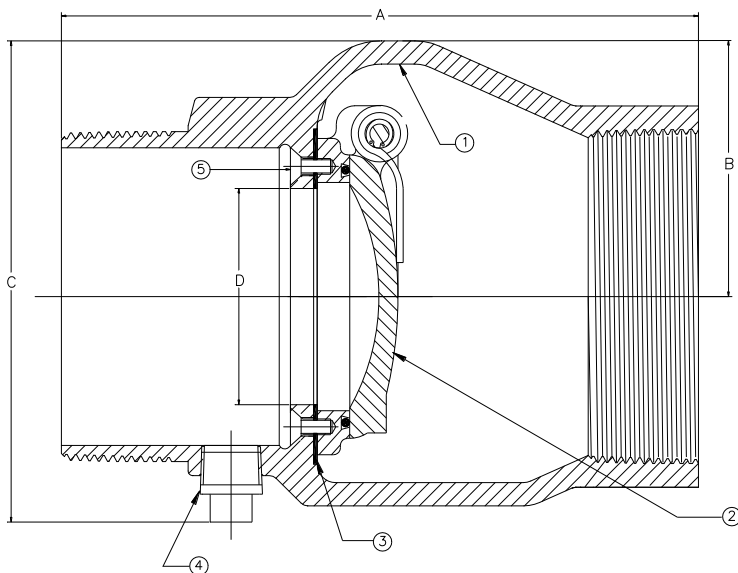
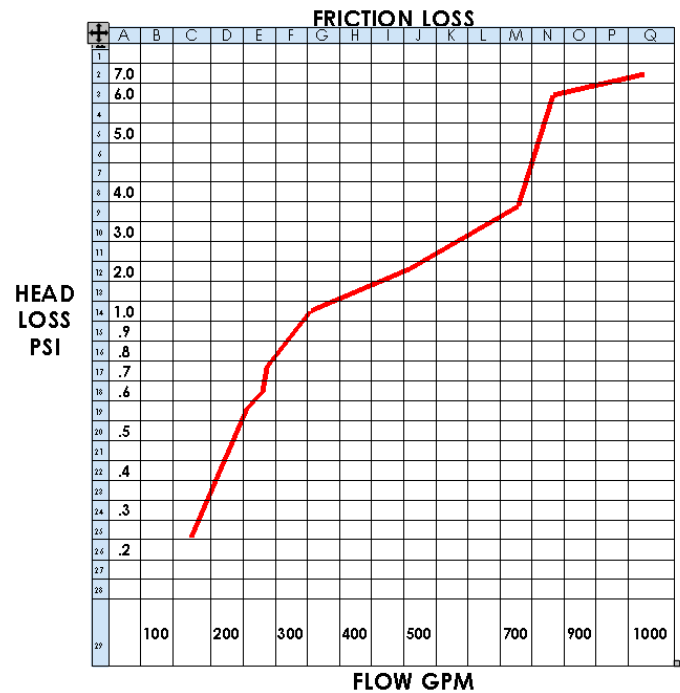
Equipped with 1/2" drain plug

*\*Contains Lead. Not For Use in Water Systems Intended For Human Consumption\**

**Can be installed vertically or horizontally**

### MATERIAL LIST

NO.	DESCRIPTION	MATERIAL
1	Body	Ductile Iron
2	Seat Ring Assembly	Bronze
3	Seat Ring Gasket	Buna
4	Pipe Plug	Steel
5	Screw	Stainless Steel



Size	A	B	C	D
4"	8.56	3.44	6.25	3.00

Ship Wgt. (lbs.)	Qty. Per Ctn.
17.0	1