



UNITED BRASS WORKS, INC.

714 S. Main St. Randleman, N.C. 27317

Tel: 800-334-3035 Fax: 800-498-4696 www.ubw.com



Model 67 Grooved Check Valve

cUL^{us} UL Listed • FM Approved*

**As anti-water hammer check valve for fire pump service only!*

250 WOG @ 180 ° Max

100% Pressure Tested

Grooved Ends

Drilled, tapped

and fitted with 1/2" drain plug.

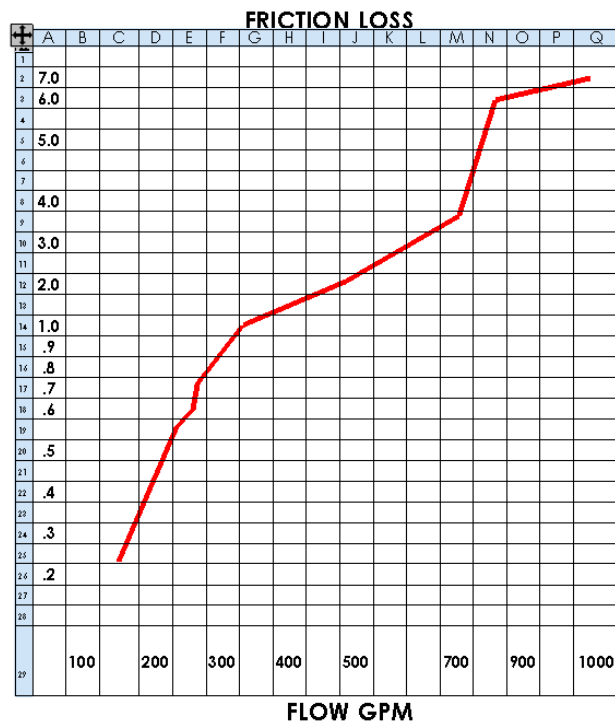
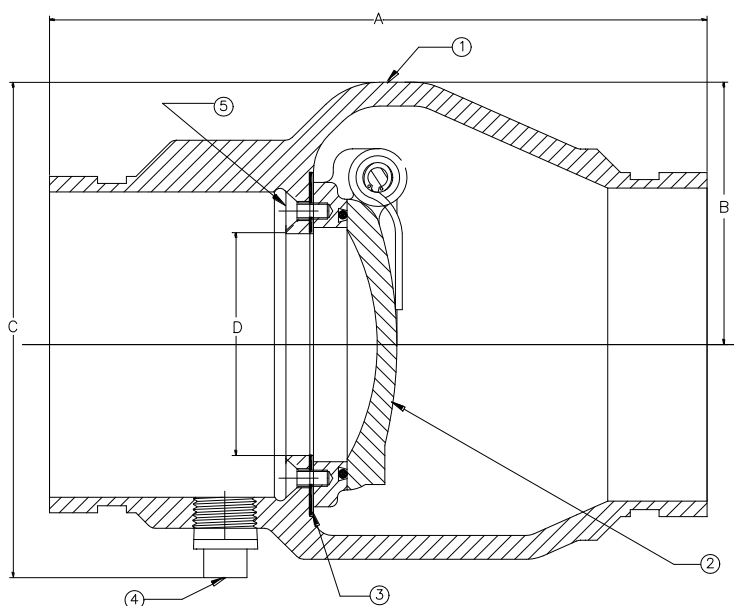
(Will also allow installation of UBW #235 Ball Drip Valve)

Contains lead. Not intended for use in potable water systems

Can be installed vertically or horizontally

MATERIAL LIST

NO.	DESCRIPTION	MATERIAL
1	Body	Ductile Iron
2	Seat Ring Assembly	Bronze
3	Seat Ring Gasket	Buna
4	Pipe Plug	Steel
5	Screw	Stainless Steel



Size	A	B	C	D
4"	8.56	3.44	6.25	3.00

Ship Wgt. (lbs.)	Qty. Per Ctn.
17.0	1