



**UNITED BRASS WORKS, INC.**  
 714 S. Main St. Randleman, N.C. 27317  
 Tel: 800-334-3035 Fax: 800-498-4696 www.ubw.com



## Model 99 Swing Check Valve



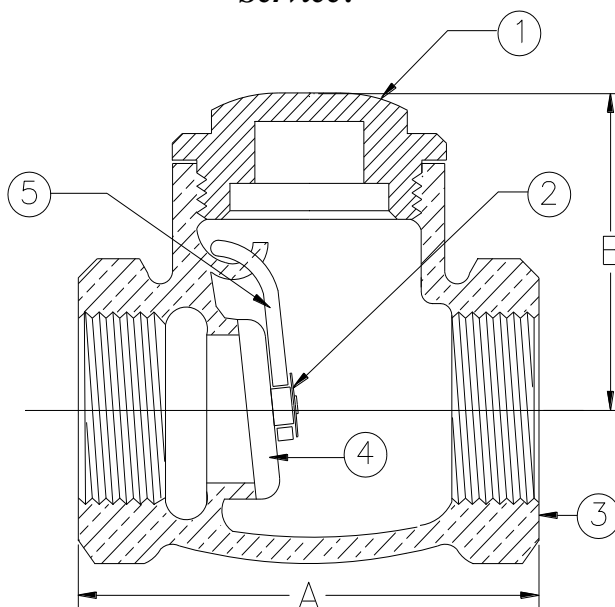
**125 WSP @ 350° Max**  
**200 WOG**  
**100% Pressure Tested**  
**Threaded Ends • Metal Disc**  
**Integral Seat**

**\*Contains Lead. Not Intended for Use in Potable Water Systems\***

*Do not install laying on side. Keep seat clean.  
 Not Recommended for Pulsating or Vibrating Service!*

### MATERIAL LIST

NO.	DESCRIPTION	MATERIAL
1	Cap (1/4" - 1") Cap (1 1/4" - 2")	Brass Bronze
2	Washer	Brass
3	Body	Bronze
4	Disc	Brass
5	Hinge	Stainless Steel



Size	1/4"	3/8"	1/2"	3/4"	1"	1 1/4"	1 1/2"	2"
A	1.81	1.81	2.14	2.51	3.03	3.45	3.81	4.44
B	1.22	1.22	1.28	1.53	2.06	2.20	2.20	2.86
Ship Wgt. (lbs.)	0.45	0.45	0.58	0.81	1.62	1.81	2.41	3.42
Qty. Unit Pack	12	12	12	12	6	6	4	2
Qty. Per Case	60	60	60	60	30	18	12	6