

Overview:

Altronix VB6 is a cost-effective 56VDC/30W UL Listed limited power supply. It is intended to power PoE related products such as the CAT5 to Coax cable Managed Ethernet Midspan receiver eBridge4PCRX and the transceiver with integral managed PoE/PoE+ switch eBridge4SK. VB6 provides two sets of output terminals to facilitate connection for up to two devices. It is powered by a 24VDC/24VAC Class 2 rated transformer/power supply.

General Specifications:

Agency Listings:

- UL/CUL Listed for Information Technology Equipment (UL 60950-1).
- CUL Listed - CSA Standard C22.2 No.205-M1983, Signal Equipment.
- CE approved.



Input:

- 24VAC @ 1.5A or 24VDC @ 1.5A.

Output:

- Two (2) 56VDC outputs with up to 30W combined total power.

Output (cont'd):

- Electronically filtered and regulated outputs.
- Built-in overload protection.

Features:

- Input and Output LEDs.
- Compact insulated housing.

Dimensions (W x L x H approx.):

3.5" x 3.5" x 1" (88.89mm x 88.89mm x 25.4mm).

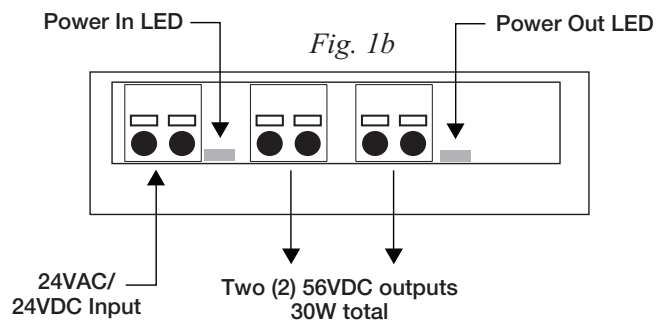
Installation Instructions:

Wiring methods shall be in accordance with the National Electrical Code/NFPA 70/ANSI, and with all local codes and authorities having jurisdiction. Wiring should be UL Listed and/or Recognized wire suitable for the application. Unit is intended to be used with a UL Listed Class 2 or LPS (limited power supply). VB6 is not intended to be connected to outside plant leads and should be installed indoors within the protected premises.

1. Mount VB6 in desired location utilizing the mounting hole (Fig. 1a). Use a proper fastener and/or wall anchor when securing VB6 with screw through its mounting hole to the wall.
2. Connect 24VAC/24VDC to the terminals marked [24VAC/VDC Input] (Fig. 1b). Use 22AWG - 16AWG wire for this connection. Input power should be a Class 2 rated transformer/power supply (for UL60950-1 applications). Power In LED will illuminate.
3. Measure output voltage and check polarity before connecting devices, in order to avoid potential damage.
4. Connect device(s) to the terminals marked [56VDC/30W], carefully observing polarity (Fig. 1b). Two devices can be connected simultaneously, with VB6 providing up to 30W of total power.
5. Power Out LED will illuminate indicating normal operation (Fig. 1b).

Fig. 1

Fig. 1a



Technical Specifications:

Parameter	Description
Input power requirements	24VAC @ 1.5A or 24VDC @ 1.5A.
Indicators	Power Input LED, Power Out LED.
Environmental Conditions	Operating Ambient Temperature: 32°F to 104°F (0°C to 40°C). Relative humidity: 85%, +/- 5% Storage Temperature: -4°F to 158°F (-20°C to 70°C). Operating Altitude: -1,000 to 10,000 ft. (-304.8 to 3,048m).
Weight (approx.)	Product: 0.25 lbs. (0.11 kg) Shipping: 0.3 lbs. (0.14 kg)

Altronix is not responsible for any typographical errors.

140 58th Street, Brooklyn, New York 11220 USA | phone: 718-567-8181 | fax: 718-567-9056
website: www.altronix.com | e-mail: info@altronix.com | Lifetime Warranty | Made in U.S.A.
VB6 Rev. 040914

G14Q

