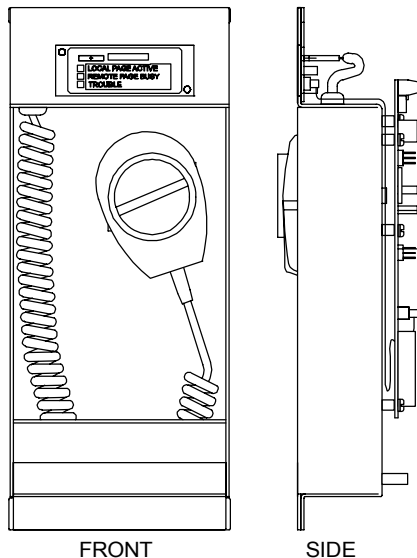


Product description



The 3-REMICA provides remote paging capability at stations located throughout a building or campus. The 3-REMICA can be connected to other remote microphone units to provide up to 63 stations on the paging circuit.

The 3-REMICA occupies 2 slot positions in a 2-space, 6-space or 10-space remote annunciator cabinet. When installed in a cabinet with an annunciator controller, the 3-REMICA must occupy the slot positions next to the controller.

The 3-REMICA housing assembly provides standoffs for mounting a Signature single input module when the system application requires electrical supervision. The 3-REMICA trouble relay contacts change state whenever an electrical short or open is detected on either the microphone or audio inputs, or whenever power is interrupted to the unit.

Specifications

Power requirements

Voltage: 21 to 27 VDC
Current: 52 mA

Space requirements: 2 spaces in annunciator enclosure

Audio Output: 1 VRMS @ 400 Hz to 4 kHz

Trouble relay contacts

Current: 1 A @ 30 VDC resistive
UL rating: Common

Wiring

Termination: All wiring connects to terminal block
Size: 14 AWG (1.5 sq. mm) max.
Resistance: 210 Ω max.
Capacitance: 1 μ F

Operating environment

Temperature: 32 to 120°F (0 to 49°C)
Humidity: 93% noncondensing

Jumper settings

Jumper JP1 and JP2:

Position A: Selects AC supervision when connecting the audio output to 3-ASU.

Position B: Selects DC supervision when connecting the audio output to 3-REMICA.

Installation instructions

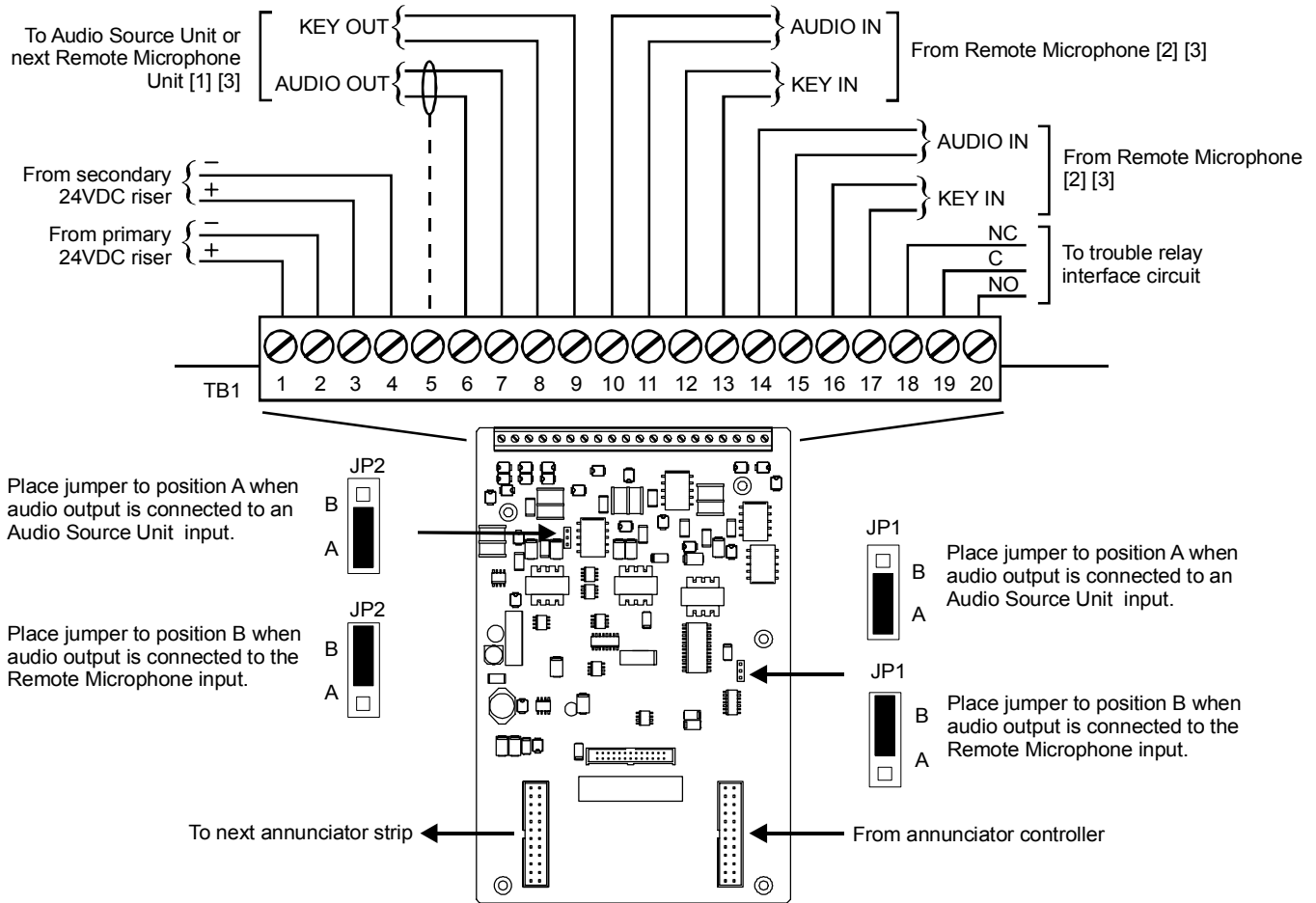
Warnings

- This product contains components that are sensitive to static electricity. Failure to follow proper handling procedures to prevent damage from electrostatic discharge may result in equipment failure.
- Ensure the 24VDC riser is deenergized before making cable connections.

To install the 3-REMICA:

1. Remove the top module retainer bracket on the inner door of the remote annunciator enclosure.
2. Loosen the bottom module retainer bracket.
3. Insert the bottom of the 3-REMICA into the bottom module retainer bracket next to the annunciator panel controller.
4. Tilt the 3-REMICA forward until the top touches the inner door.
5. Tighten the bottom module retainer bracket.
6. Secure the top module retainer bracket to the inner door.
7. Connect the cable assembly from P3 on the annunciator panel controller to P4 on the 3-REMICA.

Wiring diagrams



Notes

- [1] Power-limited and supervised.
- [2] Terminate the KEY IN input with a 1.8 kΩ EOL resistor when it is not used.
- [3] Wiring must be enclosed in conduit.

Figure 1: Field wiring for the 3-REMICA

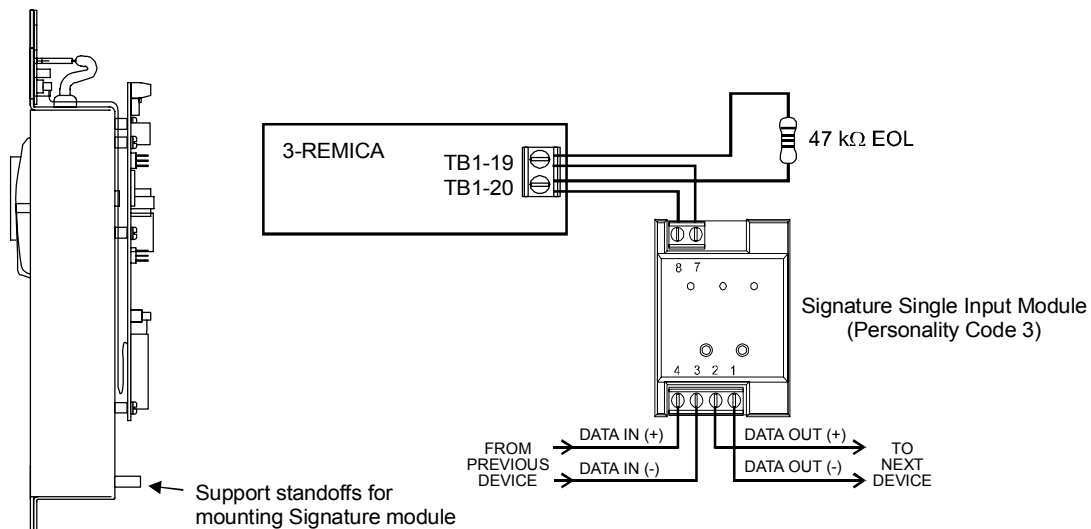


Figure 2: Trouble relay interface circuit wiring