

## NIBCO BUTTERFLY CONTROL VALVE



**3" Wafer Butterfly Control Valve**

### Features

- Indoor and outdoor use.
- UL Listed and FM Approved for Fire Protection use.
- Mounted in any orientation.
- Open and closed supervisory switches.
- Designed to open and close slowly to prevent water hammer.

### Description

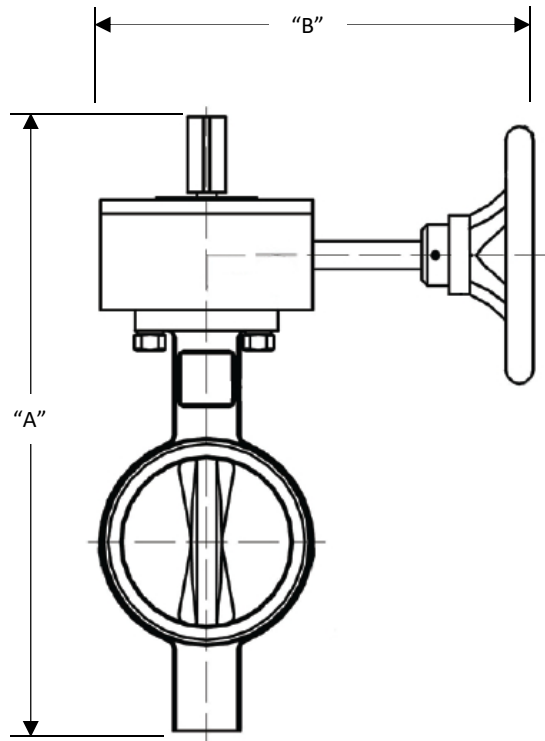
The NIBCO wafer butterfly control valve is used on the DuraQuench™ water mist system for isolation of the pump skid suction (supply). The valve is equipped with a tamper switch assembly suitable for indoor or outdoor use. The tamper switch features two switches. Switch 1 can be used for connection to a supervisory circuit of a listed fire alarm control panel. Switch 2 can be used for connection to auxiliary equipment.

### Specifications

Part Number	02-14917 (3")
Valve Rated Pressure	250 psi (17.2 bar)
Switch Rating	11 A @ 125/250 VAC 1 A @ 28 VDC, non-inductive
Wiring	18 AWG wire leads, 18" long
Mounting	Wafer style body (Class 125/150 flange patterns)
Location	Indoor/Outdoor Use
<b>Materials</b>	
Body	Ductile Iron, ASTM A 536
Disc	Ductile Iron, ASTM 395, nickel plated
Handwheel	Cast Iron
Stem	Stainless Steel, ASTM 582, Type 416
Seat/Seal	EPDM
Indicator Flag	Cast Iron
Housing / Cover	Cast Iron and Steel
Listing / Approval	UL Listed/FM Approved

This document is only intended to be a guideline and is not applicable to all situations. Information is subject to Fike's full disclaimer at <http://www.fike.com/disclaimer>.

## Dimensional Information



**3" Wafer Butterfly Control Valve**

Valve Size	"A"	"B"	"C"
3"	14" (356 mm)	7.95" (202 mm)	1.81" (46 mm)

This document is only intended to be a guideline and is not applicable to all situations.  
Information is subject to Fike's full disclaimer at <http://www.fike.com/disclaimer>.