

MANUAL RELEASE SWITCH

DESCRIPTION

The manual release switch assembly, **P/N 10-1638**, consists of a latching, push button switch with keyed reset, normally-open contact block, and stainless steel switch plate with adhesive label. The assembly can be recessed or surface mounted using a standard two-gang masonry box, minimum 2.5" (63.5 mm) deep (RACO 691), or equivalent. Masonry box not included.

FEATURES

- Stackable, screw-terminal, contact blocks
- Compatible with Fike suppression control panels
- Surface or flush mount
- Dual action activation
- Components mounted on a stainless steel face plate
- NFPA 72 initiating device

APPLICATIONS

The manual release switch assembly is used to manually initiate the release of the suppression system, overriding any active abort switch inputs. To operate the switch, the operator must first pull the spring safety clip (breaking the seal), and then press the push button. The switch will remain engaged until released by unlocking the active switch with a key. This provides positive indication of switch activation. Control panel operation, after manual release switch operation, varies depending upon panel programming. Refer to the associated control unit manual for detailed description of available manual release operating modes.

SPECIFICATIONS

Weight: 0.45 lb (204 grams)
 Operating Temperature: 0° to 49°C (32° to 120°F)
 Wire Size: Min. 1 x 22 AWG, Max. 2 x 14 AWG or 1 x 12 AWG

ORDERING INFORMATION

Fike P/N	Description
10-1422	Manual Release Switch Assembly
02-2150	Extra Contact Block, N.O.
02-3027	Dummy Contact Block
02-2213	Security Tie (beaded cable)
02-2270	Safety Clip
02-2139	Manual Release Adhesive Label
10-104	Stainless Steel Face Plate w/ mounting screws
10-1419	Stainless Steel plate (1)
02-2316	Mounting screws (4 required)
02-4192	Replacement Key, #0
02-2153	2 Gang Masonry Box, RACO 691



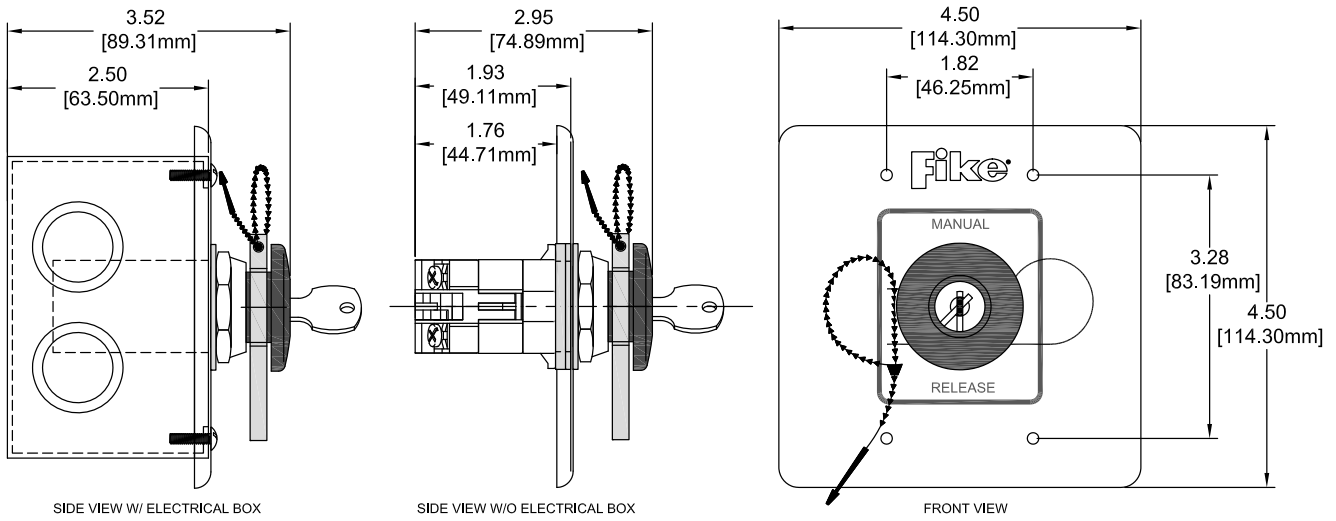
Manual Release Switch

APPROVALS:

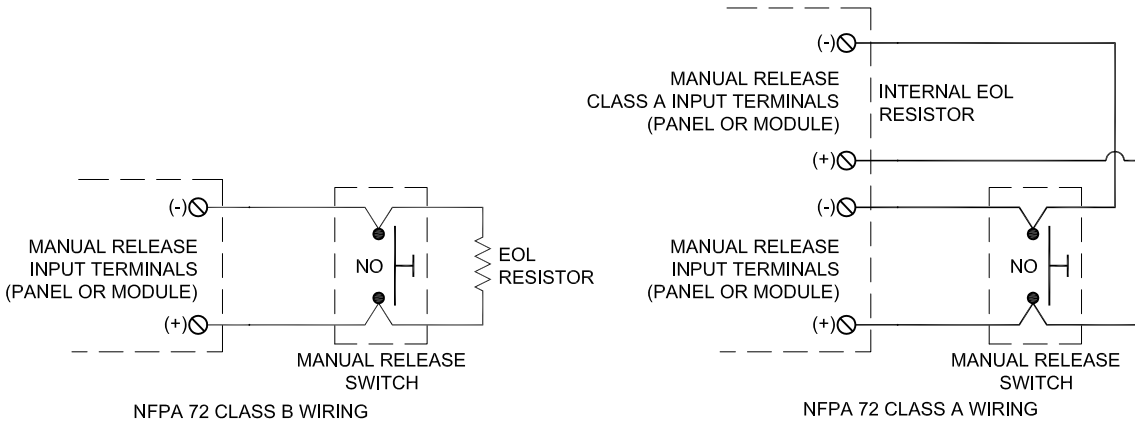
- UL - 3217
- FM
- CSFM – 6760-0900:0103



MOUNTING DIMENSIONS



TYPICAL WIRING DIAGRAMS



SEE CONTROL UNIT MANUAL FOR SPECIFIC WIRING REQUIREMENTS.