

## 20F Series 3/8" Flanged Recessed Switch Sets



**20F-12**

Recessed Switch Set

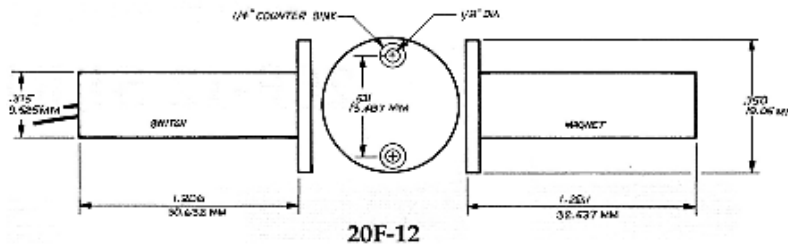


**20 OF-12**

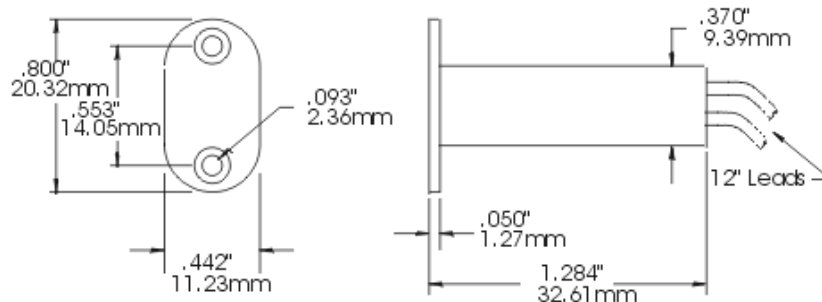
Recessed Switch Set

- Lifetime Warranty
- Colors: White, Brown, Gray or Black
- UL and ULC Approved
- Available in Closed Loop, Open Loop, SPDT and DPDT
- Standard 12" Leads
- Longer Leads, Zip Cord or Jacketed Cable on Request
- Built-in E.O.L. Resistors and Diodes Available on Request
- Switches or Magnets are Available Separately
- Round or Oval Flange Available
- Standard Gap 1/2"+
- Wide Gap 1"+
- Extra Wide Gap 1 1/2"+
- Supervisory Loops Available

The 20F and 20 OF Series are a flush mount design that enable the installer to combine the security of a screw mount flanged switch with the concealment of a press fit switch. They have been used in hollow aluminum frames where inadequate material depth will not reliably retain a press fit switch and in holes that have been drilled or have somehow become slightly oversized. They are available in 1/2" to 1 1/2" gap. Mounting hardware is provided.



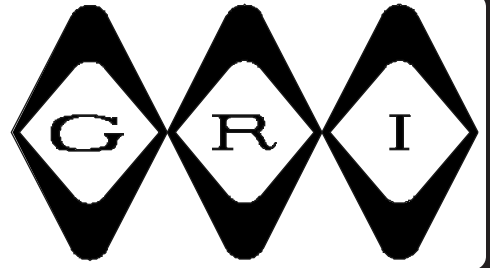
**20F-12**



**20 OF-12**

Recessed Switch Set

# RECESSED 3/8" FLANGED SWITCH SET



## 20F/20 OF SERIES

- ◆ Recessed Magnetic Contact
- ◆ Round or Oval Screw Down Flange
- ◆ 12" Leads #22AWG Leads
  - ◆ Longer Leads, Zip Cord or Jacketed Cable Upon Request
- ◆ Hermetically Sealed
- ◆ Plated Contacts Resist Sticking or Freezing
  - ◆ Mounting Hardware Included
- ◆ Built-in E.O.L. Resistors and Diodes Upon Request
  - ◆ Switches and Magnets Available Separately
  - ◆ Colors: White, Brown, Gray, Black
  - ◆ Lifetime Warranty



20F-12



200F-12

### PART NUMBERS:

	<b>Closed Loop</b>	<b>Open Loop</b>	<b>SPDT</b>	<b>DPDT</b>
Standard Gap 1/2" +	20F-12 20 OF-12	30F-12 30 OF-12	40F-12 40 OF-12	45F-12 45 OF-12
Wide Gap Gap 1" +	20F-12WG 20 OF-12WG	30F-12WG 30 OF-12WG	40F-12WG 40 OF-12WG	45F-12WG 45 OF-12WG
Extra Wide Gap Gap 1 1/2" +	20F-12XWG 20 OF-12XWG	30F-12XWG 30 OF-12XWG	40F-12XWG 40 OF-12XWG	45F-12XWG 45 OF-12XWG

GEORGERISK INDUSTRIES, INC.  
G.R.I. PLAZA  
KIMBALL, NE 69145



MADE IN U.S.A.

TOLL-FREE 1-800-445-5218  
TOLL-FREE 1-800-523-1227  
(308) 235-4645

FAX (308) 235-3561

E-MAIL: [grisales@megavision.com](mailto:grisales@megavision.com)

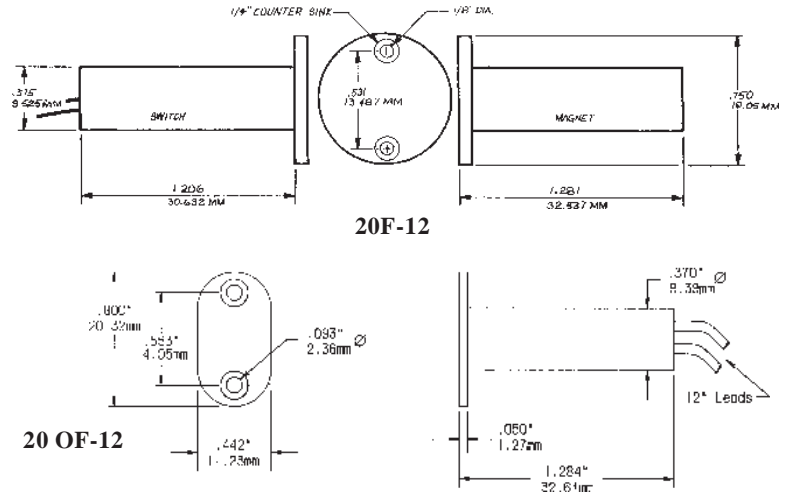
WEB SITE: [www.grisk.com](http://www.grisk.com)



# RECESSED 3/8" FLANGED SWITCH SET

## INSTALLATION APPLICATIONS:

The 20F and 20 OF series are a flush mount design that enable the installer to combine the security of a screw mount flanged switch with the concealment of a press fit switch. They have been used in hollow aluminum frames where inadequate material depth will not reliably retain a press fit switch and in holes that have been drilled or have somehow become slightly oversized. They are available in 1/2 inch to 1 1/2 inch gap and mounting hardware is provided.



## GRI products meet or exceed these minimum general specifications:

PART NUMBER	LOOP TYPE	ELECTRICAL CONFIG.	REED FORM	MAXIMUM INITIAL CONTACT RESISTANCE (Ω)	MAXIMUM CONTACT RATING (W)	MAXIMUM SWITCHING VOLTAGE (VDC)	MAXIMUM SWITCHING CURRENT (A)
20F-12	Closed	N/O	A	.150	10	200	.500
20F-12WG	Closed	N/O	A	.150	10	200	.500
20F-12XWG	Closed	N/O	A	.150	10	200	.500
20 OF-12	Closed	N/O	A	.150	10	200	.500
20 OF-12WG	Closed	N/O	A	.150	10	200	.500
20 OF-12XWG	Closed	N/O	A	.150	10	200	.500
30F-12	Open	N/C	B	.140	5	175VDC	.250
30F-12WG	Open	N/C	B	.140	5	175VDC	.250
30F-12XWG	Open	N/C	B	.140	5	175VDC	.250
30 OF-12	Open	N/C	B	.140	5	175VDC	.250
30 OF-12WG	Open	N/C	B	.140	5	175VDC	.250
30 OF-12XWG	Open	N/C	B	.140	5	175VDC	.250
40F-12	Open/Closed	SPDT	C	.140	5	175VDC	.250
40F-12WG	Open/Closed	SPDT	C	.140	5	175VDC	.250
40F-12XWG	Open/Closed	SPDT	C	.140	5	175VDC	.250
40 OF-12	Open/Closed	SPDT	C	.140	5	175VDC	.250
40 OF-12WG	Open/Closed	SPDT	C	.140	5	175VDC	.250
40 OF-12XWG	Open/Closed	SPDT	C	.140	5	175VDC	.250
45F-12	Open/Closed	DPDT	Cx2	.140	5	175VDC	.250
45F-12WG	Open/Closed	DPDT	Cx2	.140	5	175VDC	.250
45 OF-12	Open/Closed	DPDT	Cx2	.140	5	175VDC	.250
45 OF-12WG	Open/Closed	DPDT	Cx2	.140	5	175VDC	.250
45 OF-12XWG	Open/Closed	DPDT	Cx2	.140	5	175VDC	.250

## WARRANTY:

Lifetime warranty against workmanship, material and factory defects.

## CONTACT YOUR G.R.I. DISTRIBUTOR OR CALL:

GEORGERISK INDUSTRIES, INC.  
GRI PLAZA  
KIMBALL, NE 69145



MADE IN U.S.A.

TOLL-FREE 1-800-445-5218  
TOLL-FREE 1-800-523-1227  
(308) 235-4645  
FAX (308) 235-3561  
E-MAIL: grisales@megavision.com  
WEB SITE: www.grisk.com