

400, 410, 410P Series Industrial Surface Mount Switch Sets



400



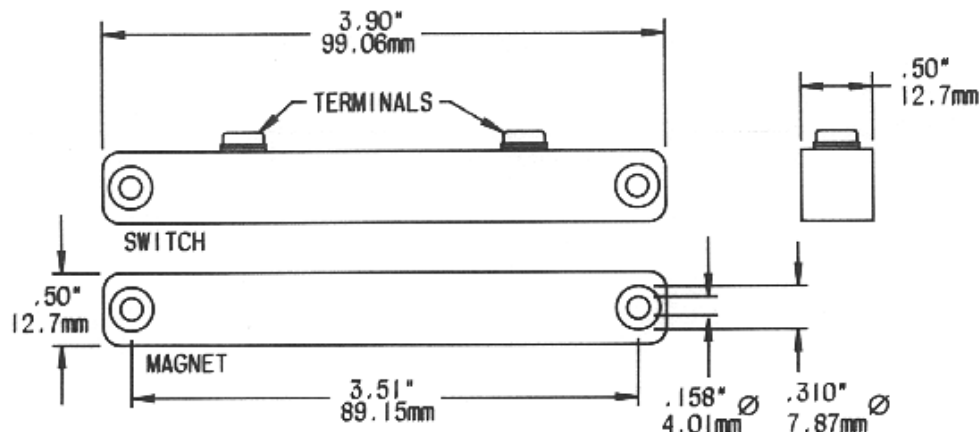
410



410P

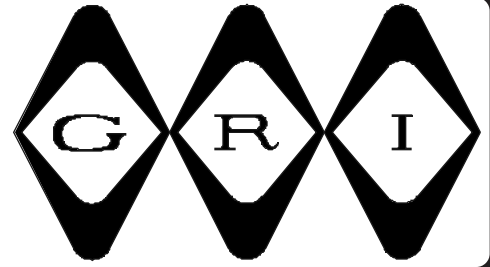
- Lifetime Warranty
- UL and ULC approved
- UL 10C Fire Rates
- Standard gap up to 1 1/2"
- Wide gap up to 3"
- Screw terminals (400 and 410)
- 36" 2 conductor jacketed leads (410P)
- Longer Lead lengths available on request
- Screw Mount
- Concealed Terminals
- Spacer and mounting screws included
- Built-in E.O.L. resistors and diodes on request
- Supervisory loops or dummy terminals on request
- Private labeling on request
- Switches or magnets are available separately

The GRI series of commercial and industrial switch sets offers the installer two choices. The 400 Series incorporates hidden terminals, inset into the recessed back to provide tamper resistant installations. The 410 Series has the standard terminals located on the top of the switch. Both options give the installer a regular gap of 1 1/2", while the wide gap version is up to 3 1/4", which covers the various types of steel door and frame conditions found at every commercial and industrial site. Spacers and mounting hardware are included with the set. The 410P version offers 3 feet of 2 conductor cable. Switches, magnets and mounting brackets are also available separately.




410 Industrial Surface Mount Switch Set

INDUSTRIAL SURFACE MOUNT SWITCH SET



400/410 & 410P SERIES

- ◆ Surface Mount Screw Down Magnetic Contact
 - ◆ 400 Has Concealed Terminals
 - ◆ 410 Has Standard Terminals On Side of Contact
- ◆ 410P Has 36" 2 Conductor Vinyl Jacketed Cable
 - ◆ Spacers & Mounting Hardware Included
- ◆ Built-in E.O.L. Resistors and Diodes Upon Request
- ◆ Colors: White, Brown, Gray ◆ Lifetime Warranty
- ◆ Private Labeling Upon Request ◆  Indicates U.L. 10C Fire Rated



410P 



400   



410  



8299-G Mounting Kit
Includes S412P-G,
M-402, Brackets
and Hardware

PART NUMBERS:

	Closed Loop	Open Loop	SPDT	DPDT
Standard Gap Up To 1 1/2"	400	401	402	
	410	411	412	
	410P	411P	412P	413P
Wide Gap Up To 3 1/4"	400WG	401WG	402WG	
	410WG	411WG	412WG	
	410PWG	411PWG	412PWG	413PWG

GEORGERISKINDUSTRIES, INC.
G.R.I. PLAZA
KIMBALL, NE 69145



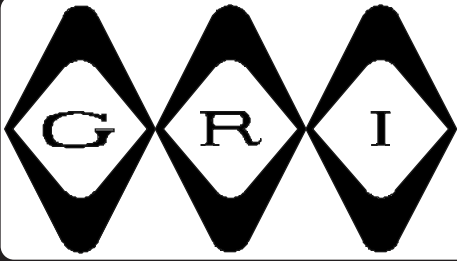
MADE IN U.S.A.

TOLL-FREE 1-800-445-5218
TOLL-FREE 1-800-523-1227
(308) 235-4645

FAX (308) 235-3561

E-MAIL: grisales@megavision.com

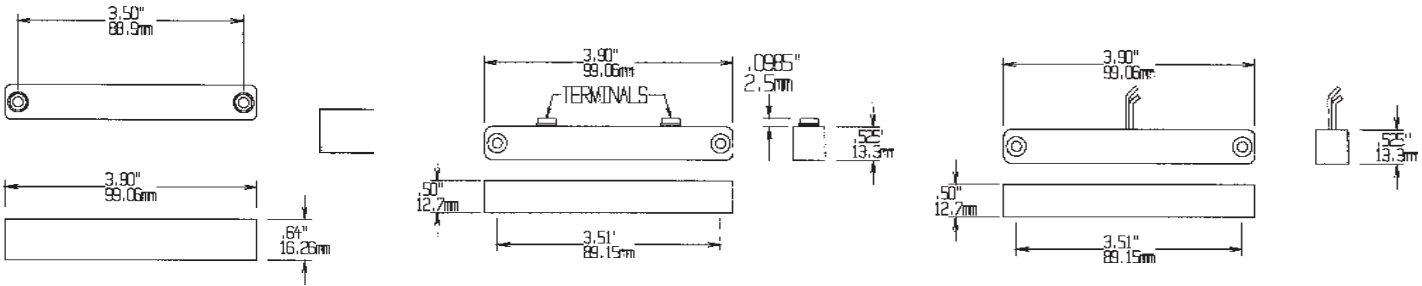
WEB SITE: www.grisk.com



INDUSTRIAL SURFACE MOUNT SWITCH SET

INSTALLATION APPLICATIONS:

The G.R.I. series of commercial and industrial switch sets offers the installer two choices: The 400 series incorporates hidden terminals, inset into the recessed back to provide tamper resistant installations. The 410 series has the standard terminals located on the side of the switch. Both options give the installer a regular gap of 1 1/2" while the wide gap version is 3", which cover the various types of steel door and frame conditions found at every commercial and industrial site. Spacers and mounting hardware are included with the set. The 410P version offers two feet of vinyl jacketed 2 conductor cable. A mounting bracket kit, PN #8299-G is also available. The kit includes a S412P-G w/M-402-G, S-200 & 4175 brackets and mounting hardware.



400

410

410P

GRI products meet or exceed these minimum general specifications:

PART NUMBER	LOOP TYPE	ELECTRICAL CONFIG.	REED FORM	MAXIMUM INITIAL CONTACT RESISTANCE (Ω)	MAXIMUM CONTACT RATING (W)	MAXIMUM SWITCHING VOLTAGE (VDC)	MAXIMUM SWITCHING CURRENT (A)
400	Closed	N/O	A	.150	10	160	.400
400WG	Closed	N/O	A	.150	10	160	.400
410	Closed	N/O	A	.150	10	160	.400
410WG	Closed	N/O	A	.150	10	160	.400
410P	Closed	N/O	A	.150	10	160	.400
410PWG	Closed	N/O	A	.150	10	160	.400
401	Open	N/C	B	.140	5	175VDC	.250
401WG	Open	N/C	B	.140	5	175VDC	.250
411	Open	N/C	B	.140	5	175VDC	.250
411WG	Open	N/C	B	.140	5	175VDC	.250
411P	Open	N/C	B	.140	5	175VDC	.250
411PWG	Open	N/C	B	.140	5	175VDC	.250
402	Open/Closed	SPDT	C	.140	5	175VDC	.250
402WG	Open/Closed	SPDT	C	.140	5	175VDC	.250
412	Open/Closed	SPDT	C	.140	5	175VDC	.250
412WG	Open/Closed	SPDT	C	.140	5	175VDC	.250
412P	Open/Closed	SPDT	C	.140	5	175VDC	.250
412PWG	Open/Closed	SPDT	C	.140	5	175VDC	.250
413P		DPDT	CX2	.140	5	175VDC	.250
413PWG		DPDT	CX2	.140	5	175VDC	.250

WARRANTY:

Lifetime warranty against workmanship, material and factory defects.

CONTACT YOUR G.R.I. DISTRIBUTOR OR CALL:

GEORGERISK INDUSTRIES, INC.
GRI PLAZA
KIMBALL, NE 69145

TOLL-FREE 1-800-445-5218
TOLL-FREE 1-800-523-1227
(308) 235-4645
FAX (308) 235-3561

E-MAIL: grisales@megavision.com
WEB SITE: www.grisk.com

MADE IN U.S.A.