

SmartOne® Series 3300 Addressable Manual Pull Station

FEATURES

- **Unique Field Labeling for either Fire Alarm or Suppression Applications**
- **Dual Action Operation**
- **Surface and Weatherproof Backboxes**
- **Flashing LED**
- **Keylock for Reset**
- **UL Listed**
- **FM Approved**
- **cUL Listed**

DESCRIPTION

The Addressable Manual Pull Station is an intelligent initiating device that contains its own SmartOne® Addressable Input (AI) module and interfaces directly to a Kidde® intelligent control unit operating SmartOne communications protocol. The Initiating Device Circuit (IDC) is wired as NFPA 72 Class B.

The Manual Pull Station is constructed of heavy die-cast aluminum for long life and uses an internal toggle switch for reliable operation.

Similar to other SmartOne devices, the unit is field programmable using the control unit keypad or Hand-Held Programmer. The owner location message and reporting type can be customized by the use of a programming utility utilized with the control panel. A status LED is mounted on the unit and indicates the status by a 2 or 9 second flash interval. A Trouble condition inhibits the status LED completely.

While the Pull Station is designed for quick, efficient emergency response, its double action PUSH/PULL levers prevent accidental operation.

The Pull Station can be mounted in an indoor or outdoor weatherproof backbox (Model SBG-32S or Model SGB-32C) or a North American 2-1/2 in. (64 mm) deep single-gang box.

The Station terminal block on the AI module accepts 14, 16 and 18 AWG (1.5 mm², 1.0 mm², and 0.75 mm²) wire. Size #18 is the minimum requirement.

FIRE ALARM OR SUPPRESSION RELEASE LABELING

The Pull Station has a unique labeling method which provides the installer the greatest amount of flexibility without the expense of having to carry extra inventory. Seven heavy-duty Lexan® self-adhesive labels are shipped with each station:

- **FIRE ALARM**
- **CO₂ RELEASE**
- **FIRE SYSTEM RELEASE**
- **NOVEC 1230 RELEASE**
- **FM-200 RELEASE**
- **FE-13 RELEASE**
- **HALON-1301 RELEASE**



ORDERING INFORMATION

Addressable Double Action Manual Pull Station with integral SmartOne Addressable Input Module - Ships with mounting hardware, 2 keys, 1 break rod, and label set	84-330002-001
SGB-32S Indoor Backbox	84-100009-001
SGB-32C Outdoor Weatherproof Backbox	84-100009-002
EOL Resistor Kit, 10 K, 0.5 W, package of 10	70-411001-005
Pkg. of (12) Breakrods	84-100008-002
Spare Key	06-118013-001
Label Set	06-231866-930

SPECIFICATIONS

Station Type:	Double Action, with integral SmartOne Addressable Module
Initiating Device Circuit:	Class B Wiring
EOL Resistor Value:	10 K Ohm
Max. Circuit Resistance:	50 Ohm (25 ohm per conductor)
Max. Circuit Capacitance:	0.1µF
Standby Current:	580 µA
Alarm Current:	580 µA
Operating Temperature Range:	-31°F to 150°F (-35°C to 66°C)
Operating Humidity Range:	0-95% RH
Construction:	Die-cast metal housing
Compatible Electrical Boxes:	Indoor: Sheet metal Model SGB-32S Outdoor: Weatherproof Die-cast Model SGB-32C
Shipping Weight:	1.12 lbs. (510 g)

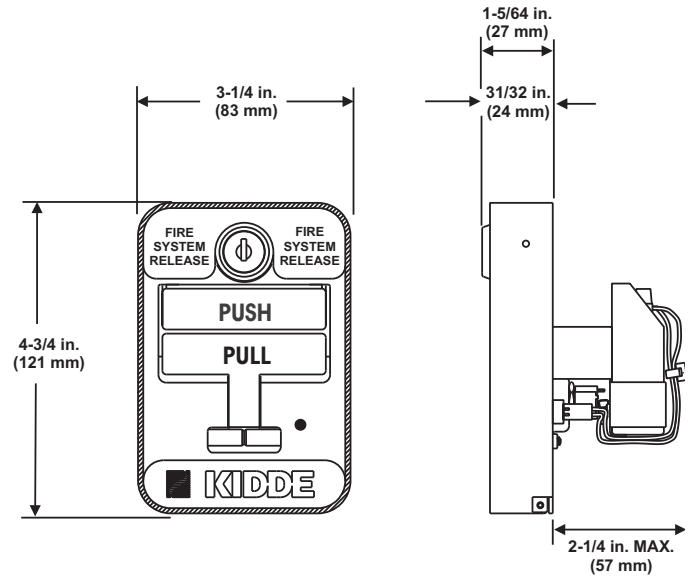
SGB-32S INTERIOR SURFACE BACKBOX

Dimensions:	4-3/4 in. H x 3-1/4 in. W x 2-1/4 in. D
Construction:	Steel sheet metal
Conduit:	Two knockouts for 1/2 in. conduit connectors, one on top and bottom
Mounting:	Mounts to the box with (4) 8/32 screws, which ship with each box.

SGB-32C WEATHERPROOF SURFACE BACKBOX

Dimensions:	4-3/4 in. H x 3-1/4 in. W x 2-1/4 in. D
Construction:	Cast aluminum.
Conduit:	One threaded opening for 1/2 in. conduit connector.
Mounting:	Mounts to the box with (4) 8/32 screws and a foam gasket, which ships with each box.

DIMENSIONS



COMPATIBLE CONTROL UNITS

Fire Alarm Control Unit (FACU) Type	Current Product	Legacy Product
Single Loop	ARIES®-SLX	ARIES FenwalNET™ 6000 PEGAsys™ * FenwalNET 2000 *
Multiple Loop	ARIES®-MLX	ARIES NETLink FenwalNET 8000-ML PEGAsys* FenwalNET 2000*

* FACUs running software revision 82.4 are compatibility-tested but not agency listed with the device(s) in this data sheet.

EXPORT INFORMATION (USA)

Jurisdiction: EAR
Classification: EAR99
This document contains technical data subject to the EAR.

Kidde, SmartOne and ARIES are registered trademarks of Kidde-Fenwal, Inc., or its parents, subsidiaries or affiliates. Lexan is a registered trademark of the General Electric Company.

This literature is provided for informational purposes only. KIDDE-FENWAL, INC. believes this data to be accurate, but it is published and presented without any guarantee or warranty whatsoever. KIDDE-FENWAL, INC. assumes no responsibility for the product's suitability for a particular application. The fire suppression system design, installation, maintenance, service and troubleshooting must be performed by trained, authorized Kidde Fire Systems distributors for the product to work correctly. If you need more information on this product, or if you have a particular problem or question, contact: KIDDE-FENWAL, INC., Ashland, MA 01721 USA, Telephone: (508) 881-2000.