

CAB-4 Series Cabinets

ONYX® Series Backboxes with Locking Doors



Peripheral Devices

General

All cabinets for NOTIFIER fire alarm control panels are fabricated from 16-gauge steel. The cabinet assembly consists of two basic parts: a backbox and a locking door. Cabinets are available in either black or red, with or without windows. The window model provides a tasteful combination to accent the decor of the finest lobby setting.

- The **key-locked door** is provided with a pin-type hinge, two keys and the necessary hardware to mount the door to the backbox.
- The **backbox** has been engineered to provide ease-of-entry for the installer. **Knockouts** are positioned at numerous points to aid the installer in bringing a conduit into the enclosure with a minimum of hardship.
- **Right- or left-hand hinges**, selectable in the field. Door opens 180°.
- Cabinets are arranged in **four standard sizes**, A (one tier) through D (four tiers), plus a **mini cabinet** (AA, one tier without a battery compartment). See *Ordering Information*.
- A **trim ring option** is available for semi-flush mounting.
- **Chassis bridge** available for assembling multiple CHS-4 chassis external to the backbox.
- Certified for seismic applications when used with the appropriate **seismic mounting kit**.

Ordering Information

A complete cabinet assembly consists of: a door, a backbox, an optional battery plate, and an optional semi-flush trim ring. For each cabinet required, order one "DR" door and one "SBB" backbox. The BP2-4 battery plate is required for each cabinet assembly that mounts batteries and/or a power supply in the lower position of the cabinet. The optional trim ring is an attractive "picture frame"-style black metal ring.

MINI "AA" SIZE, ONE TIER

DR-AA4: Door assembly, window, one tier (no battery compartment), BLACK, 9.8 lbs.

DR-AA4R: Door assembly, window, one tier (no battery compartment), RED, 9.8 lbs.

DR-AA4B: Door assembly, solid door, one tier (no battery compartment), BLACK.

DR-AA4BR: Door assembly, solid door, one tier (no battery compartment), RED.

SBB-AA4: Backbox assembly, one tier (no battery compartment), BLACK, 16.65 lbs.

SBB-AA4R: Backbox assembly, one tier (no battery compartment), RED, 16.65 lbs.

TR-AA4: Accessory semi-flush-mount trim ring, one tier (no battery compartment).

NOTE: Black trim rings are used with red or black cabinets.

ONE TIER, "A" SIZE

DR-A4: Door assembly, window, one tier, BLACK, 14.20 lbs.

DR-A4R: Door assembly, window, one tier, RED, 14.20 lbs.

DR-A4B: Door assembly, solid door, one tier, BLACK, 14.30 lbs.



7045cov.jpg

NFS2-3030 and DVC in "C" sized CAB-4 cabinet

DR-A4BR: Door assembly, solid door, one tier, RED, 15 lbs.

SBB-A4: Backbox assembly, one tier, BLACK, 21 lbs.

SBB-A4R: Backbox assembly, one tier, RED, 21 lbs.

TR-A4: Accessory semi-flush-mount trim ring, one tier (opening 24.062" [61.118 cm] W x 20.062" [50.958 cm] H), BLACK, 2.5 lbs.

NOTE: Black trim rings are used with red or black cabinets.

BP2-4: Battery plate. Used to cover battery and power supply when lower position is used in backbox, 3.10 lbs.

TWO TIERS, "B" SIZE

DR-B4: Door assembly, window, two tiers, BLACK, 17.45 lbs.

DR-B4R: Door assembly, window, two tiers, RED, 17.45 lbs.

ADDR-B4: Two-tier-sized door designed for use with a CA-2 chassis mounted in the top rows. BLACK.

ADDR-B4R: Two-tier-sized door designed for use with a CA-2 chassis mounted in the top rows. RED.

DR-B4B: Door assembly, solid door, two tiers, BLACK, 18.80 lbs.

DR-B4BR: Door assembly, solid door, two tiers, RED, 18.80 lbs.

SBB-B4: Backbox assembly, two tiers, BLACK, 26.88 lbs.

SBB-B4R: Backbox assembly, two tiers, RED, 26.88 lbs.

TR-B4: Accessory semi-flush-mount trim ring, two tiers (opening 24.062" [61.118 cm] W x 28.562" [72.548 cm] H), BLACK, 3 lbs.

NOTE: Black trim rings are used with red or black cabinets.

BP2-4: Battery plate. Used to cover battery and power supply when lower position is used in backbox, 3.10 lbs.

THREE TIERS, "C" SIZE

DR-C4: Door assembly, window, three tiers, BLACK, 20.75 lbs.

DR-C4R: Door assembly, window, three tiers, RED, 20.75 lbs.

ADDR-C4: Three-tier-sized door designed for use with a CA-2 chassis mounted in the top rows. BLACK.

ADDR-C4R: Three-tier-sized door designed for use with a CA-2 chassis mounted in the top rows. RED.

DR-C4B: Door assembly, solid door, three tiers, BLACK, 23.45 lbs.

DR-C4BR: Door assembly, solid door, three tiers, RED, 23.45 lbs.

SBB-C4: Backbox assembly, three tiers, BLACK, 32.60 lbs.

SBB-C4R: Backbox assembly, three tiers, RED, 32.60 lbs.

TR-C4: Accessory semi-flush-mount trim ring, three tiers (opening 24.062" [61.118 cm] W x 37.187" [94.455 cm] H), BLACK, 3.50 lbs.

NOTE: Black trim rings are used with red or black cabinets.

BP2-4: Battery plate. Used to cover battery and power supply when lower position is used in backbox, 3.10 lbs.

FOUR TIERS, "D" SIZE

DR-D4: Door assembly, window, four tiers, BLACK, 23.95 lbs.

DR-D4R: Door assembly, window, four tiers, RED, 23.95 lbs.

ADDR-D4: Four-tier-sized door designed for use with a CA-2 chassis mounted in the top rows. BLACK.

ADDR-D4R: Four-tier-sized door designed for use with a CA-2 chassis mounted in the top rows. RED.

DR-D4B: Door assembly, solid door, four tiers, BLACK, 28.40 lbs.

DR-D4BR: Door assembly, solid door, four tiers, RED, 28.40 lbs.

SBB-D4: Backbox assembly, four tiers, BLACK, 40 lbs.

SBB-D4R: Backbox assembly, four tiers, RED, 40 lbs.

TR-D4: Accessory semi-flush-mount trim ring, four tiers (opening 24.062" [61.118 cm] W x 45.812" [116.363 cm] H), BLACK, 3.80 lbs.

NOTE: Black trim rings are used with red or black cabinets.

BP2-4: Battery plate. Used to cover battery and power supply when lower position is used in backbox, 3.10 lbs.

ACCESSORIES

ADP-4B: Annunciator dress panel.

CAB-BM: For use with "B" sized cabinets in Marine applications. See DN-60688 for more information.

CB-1: Chassis bridge. Provides a bridge between CHS Series chassis.

DP-1B: Blank dress panel, covers one CAB-4 tier, BLACK.

SEISKIT-CAB: Seismic mounting kit. Required for seismic-certified applications with NFS2-3030, NFS2-640, and NFS-320SYS. Includes battery bracket for two 26 AH batteries.

VP-2B: Ventilator panel.

WC-2: Wire channel. Provides a pair of wire trays to neatly route wiring between CHS chassis.

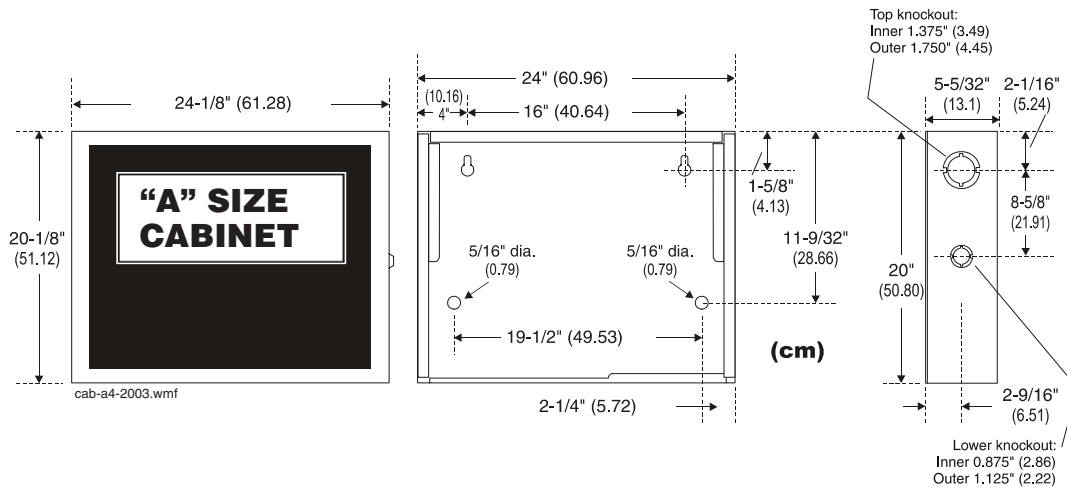
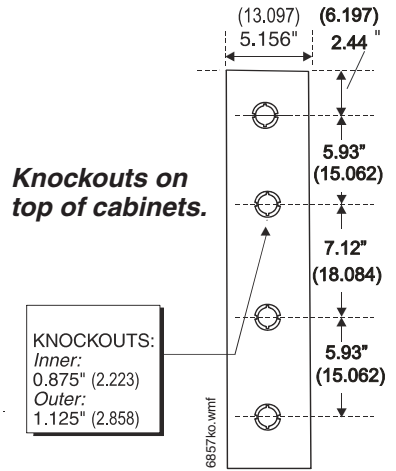
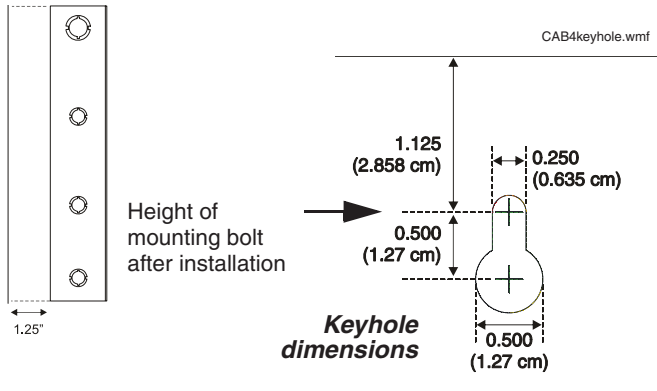
- **UL** Listed: S635
- **ULC** Listed: S635
- **MEA:** 317-01-E, 345-02-E
- **CSFM:** 7165-0028:0243 (NFS2-640), 7165-0028:0224 (NFS2-3030)
- **FM** approved
- **FDNY:** COA# 6085, COA# 6098

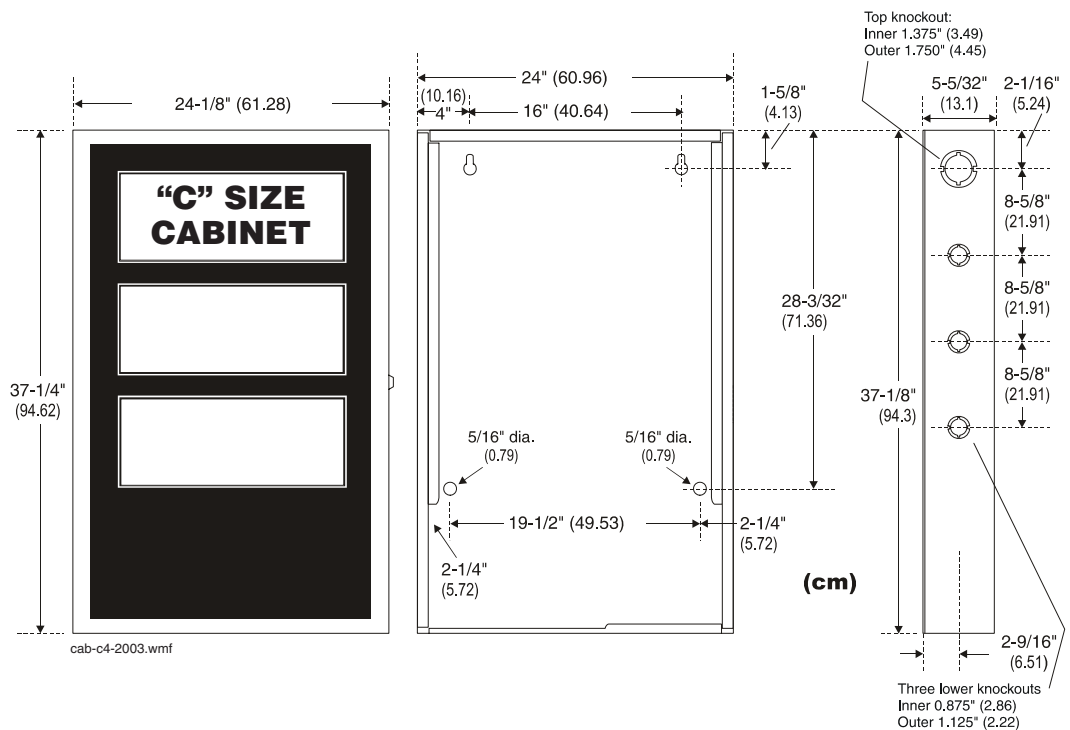
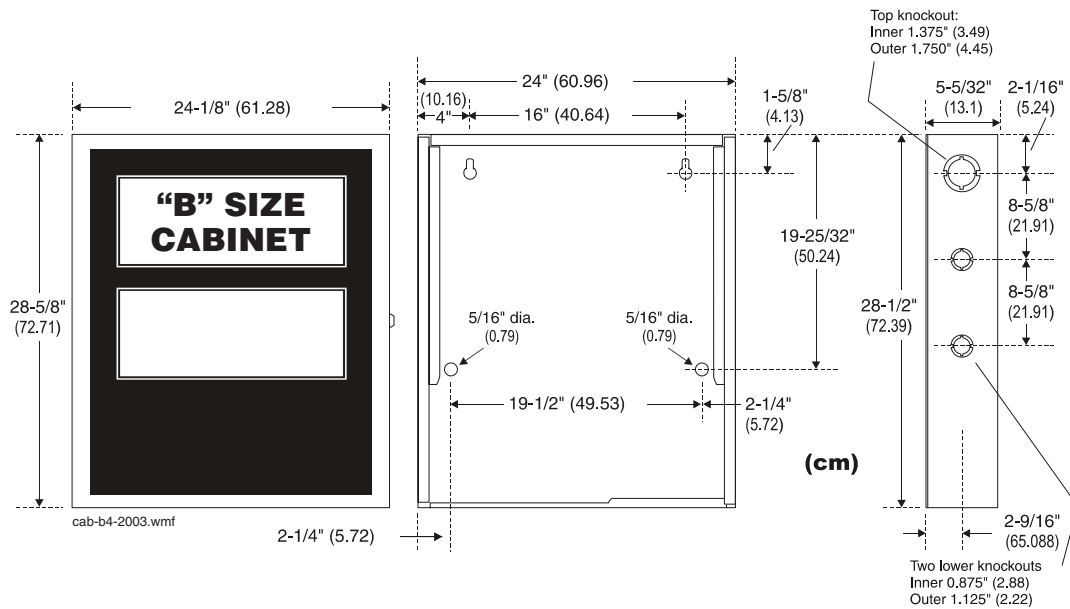
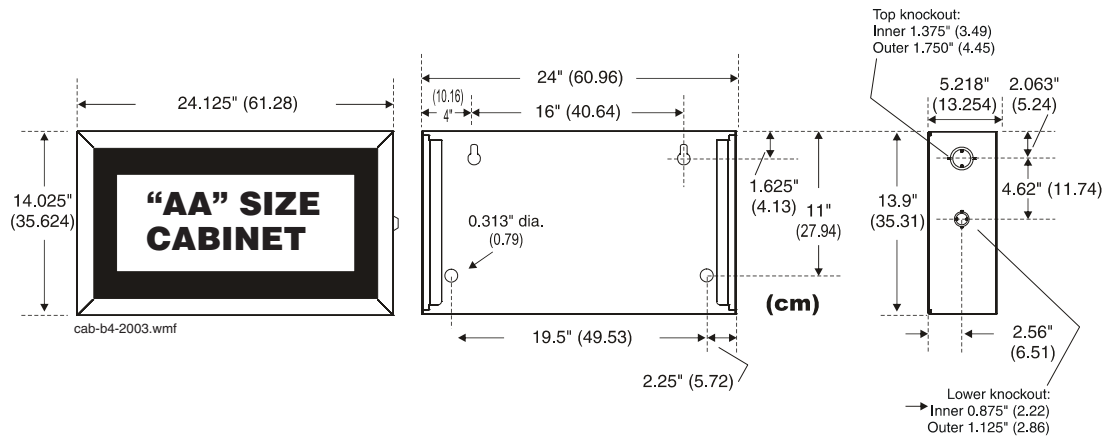
CAB-4 Series cabinets with SEISKIT-CAB comply with seismic requirements of **IBC 2000, IBC 2003, IBC 2006, IBC2009,** and **CBC 2007.**

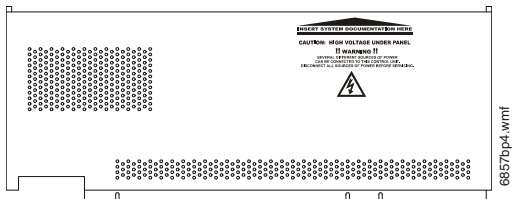
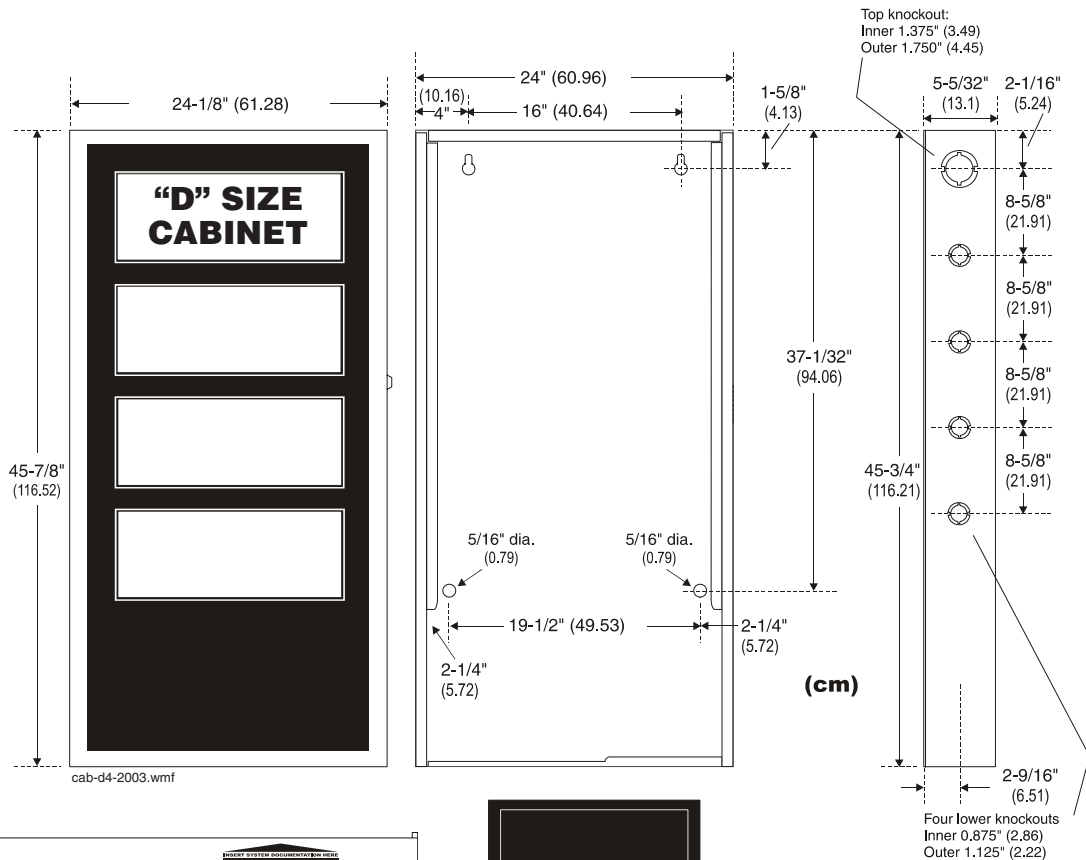
Agency Listings and Approvals

These listings and approvals below apply to the CAB-4 Series Cabinets. In some cases, certain modules or applications may not be listed by certain approval agencies, or listing may be in process. Consult factory for latest listing status.

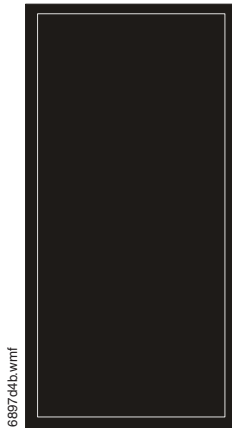
Cabinet Dimensions and Features







The BP2-4 Battery Plate covers the Main Power Supply and the batteries in the cabinet. Only one BP2-4 is required per cabinet unless an AA cabinet is used (no battery compartment).



"D" sized cabinet with solid door. Solid door option available on all sizes in black or red.

ONYX® and **NOTIFIER®** are registered trademarks of Honeywell International Inc.
©2012 by Honeywell International Inc. All rights reserved. Unauthorized use of this document is strictly prohibited.



This document is not intended to be used for installation purposes.
We try to keep our product information up-to-date and accurate.
We cannot cover all specific applications or anticipate all requirements.
All specifications are subject to change without notice.



Made in the U.S. A.

For more information, contact Notifier. Phone: (203) 484-7161, FAX: (203) 484-7118.
www.notifier.com