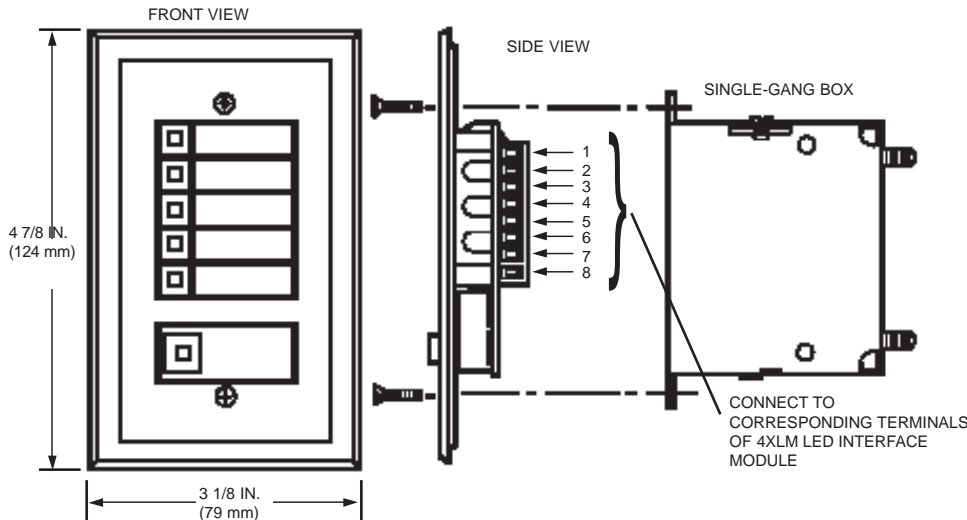


RZA-4X REMOTE ANNUNCIATOR



Features

- System trouble LED (yellow)
- Local piezo sounder
- Silence switch (for local sounder)
- Remote annunciator mounts in single-gang box
- Four red LEDs indicate system status

Description

The RZA-4X Remote Annunciator is an optional supervised remote annunciator for use with the PCR-100 control system. It requires the 4XLM LED Interface Module. Listings for the modules are with the control unit.

The remote annunciator mounts on a standard single-gang box, and provides LED indication as follows:

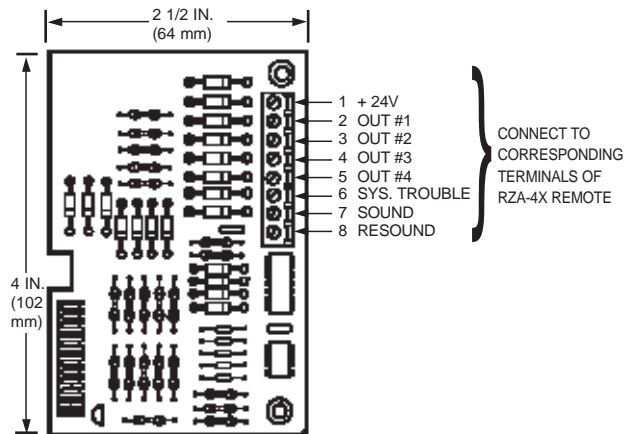
- Notification appliance circuit 1 in alarm (red)
- Notification appliance circuit 2 in alarm (red)
- Releasing circuit 1 (red)
- Releasing circuit 2 (red)
- System trouble (yellow)

A Local Trouble Sounder and Silence Switch are also provided. All LED wiring is supervised for open conditions. Any open condition will cause the System Trouble LED to illuminate.

The 4XLM LED Interface Module supports the RZA-4X Remote Annunciator module. Annunciator wiring is supervised for open conditions by this module. Faults will activate the System Trouble condition. The module mounts to the main board, occupying one of the two option connectors.

The maximum voltage/current for each output is 27.6V/8mA. The outputs are power limited.

4XLM LED INTERFACE MODULE



Ordering Information

Part No.	Description	Shipping Weight	
		lb.	(kg)
417882	4XLM LED Interface Module	1	(0.5)
417883	RZA-4X Remote Annunciator	1	(0.5)