



38 OFFSET STEEL EYE SOCKET ROD HANGER



CERTIFICATIONS



FEATURES

Structural attachment used to join hanger rod to a structure

Provides full vertical rod adjustment

SPECIFICATIONS

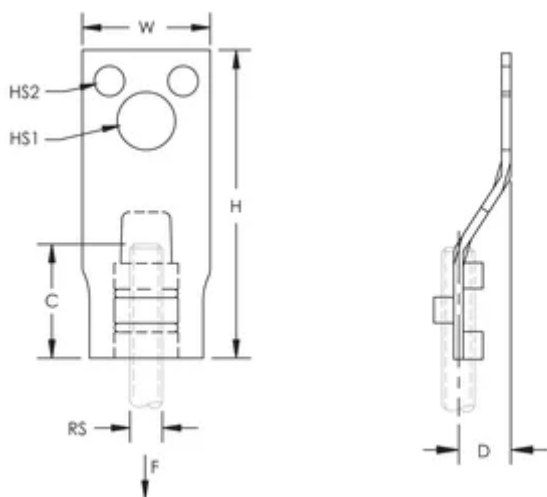
Catalog Number	Material	Finish	Rod Size(RS)	Pipe Size	Hole Size 1(HS1)	Hole Size 2(HS2)	Width(W)	Height(H)	C	D	Static Load(F)
0380037EG	Steel	Electrogalvanized	3/8"	4" Max	1/2"	1/4"	1 1/8"	3 1/4"	1 3/16"	3/4"	250 lb

ADDITIONAL PRODUCT DETAILS

Load rating dependent on wood structure strength.

For 3/8" rod through 2" pipe, use two Model #43 Wood Drive Screws. For 3/8" rod through 4" pipe, use one Model #42 1/2" x 3" Lag Screw.

DIAGRAMS



WARNING

nVent products shall be installed and used only as indicated in nVent's product instruction sheets and training materials. Instruction sheets are available at www.nvent.com and from your nVent customer service representative. Improper installation, misuse, misapplication or other failure to completely follow nVent's instructions and warnings may cause product malfunction, property damage, serious bodily injury and death and/or void your warranty.

North America

+1.800.753.9221

Option 1 – Customer Care

Option 2 – Technical Support

Europe

Netherlands:

+31 800-0200135

France:

+33 800 901 793

Europe

Germany:

800 1890272

Other Countries:

+31 13 5835404

APAC

Shanghai:

+ 86 21 2412 1618/19

Sydney:

+61 2 9751 8500



Our powerful portfolio of brands:
nVent.com CADDY ERICO HOFFMAN RAYCHEM SCHROFF
TRACER