



105 STAINLESS STEEL LOOP HANGER



FEATURES

Recommended for the suspension of stationary stainless steel pipe lines

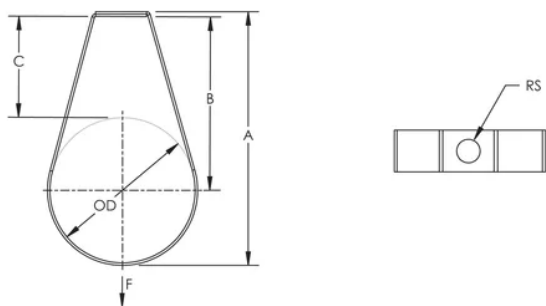
Conforms with Federal Specification WW-H-171 (Type 7), Manufacturers Standardization Society (MSS) SP-58 (Type 7)

SPECIFICATIONS

Material: Stainless Steel 304 (EN 1.4301)

Catalog Number	Pipe Size	Outer Diameter(OD)	Rod Size(RS)	A	B	C	Static Load(F)
1050050S4	1/2"	0.675"	3/8"	2 7/8"	2 5/16"	1 7/8"	600 lb
1050075S4	3/4"	1.050"	3/8"	3 1/8"	2 3/8"	1 7/8"	600 lb
1050100S4	1"	1.315"	3/8"	3 3/8"	2 9/16"	1 7/8"	600 lb
1050125S4	1 1/4"	1.660"	3/8"	3 3/4"	2 11/16"	1 7/8"	600 lb
1050150S4	1 1/2"	1.900"	3/8"	4 1/16"	2 15/16"	2"	600 lb
1050200S4	2"	2 3/8"	3/8"	4 7/16"	3 1/16"	1 7/8"	600 lb
1050250S4	2 1/2"	2 7/8"	1/2"	4 15/16"	3 5/16"	1 7/8"	970 lb
1050300S4	3"	3 1/2"	1/2"	5 9/16"	3 5/8"	1 7/8"	970 lb
1050350S4	3 1/2"	4"	1/2"	6 1/16"	3 7/8"	1 7/8"	970 lb
1050400S4	4"	4 1/2"	5/8"	6 9/16"	4 1/8"	1 7/8"	1,250 lb
1050500S4	5"	5 9/16"	5/8"	7 5/8"	4 11/16"	1 7/8"	1,250 lb
1050600S4	6"	6 5/8"	3/4"	8 3/4"	5 1/16"	1 3/4"	1,600 lb
1050800S4	8"	8 5/8"	3/4"	10 3/4"	6 1/16"	1 3/4"	1,800 lb

DIAGRAMS



WARNING

nVent products shall be installed and used only as indicated in nVent's product instruction sheets and training materials. Instruction sheets are available at www.nvent.com and from your nVent customer service representative. Improper installation, misuse, misapplication or other failure to completely follow nVent's instructions and warnings may cause product malfunction, property damage, serious bodily injury and death and/or void your warranty.

North America

+1.800.753.9221

Option 1 – Customer Care

Option 2 – Technical Support

Europe

Netherlands:

+31 800-0200135

France:

+33 800 901 793

Europe

Germany:

800 1890272

Other Countries:

+31 13 5835404

APAC

Shanghai:

+ 86 21 2412 1618/19

Sydney:

+61 2 9751 8500



Our powerful portfolio of brands:
nVent.com **CADDY ERICO HOFFMAN RAYCHEM SCHROFF**
TRACER