



# BOLT CLOSE CONDUIT/PIPE CLAMP



## CERTIFICATIONS



## FEATURES

Retained bolt and built-in nut means there are less parts to handle or drop

Combo head bolt works with slotted, hex, #3 phillips or #2 robertson drivers

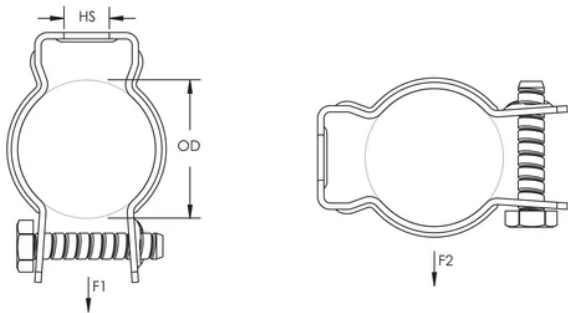
## SPECIFICATIONS

**Finish:** Electrogalvanized

Catalog Number	Material	Nut Type	Outer Diameter(OD)	EMT Conduit Size	Rigid Conduit/Pipe Size	Hole Size(HS)	Static Load 1(F1)	Static Load 2(F2)	Packing Quantity	Certifications
CD2.5BSS	Stainless Steel 304 (EN 1.4301)	Hex Nut	1.220" – 1.510"	1 1/4"		0.266"	200 lb	50 lb	1.0000	
CD2BSS	Stainless Steel 304 (EN 1.4301)	Hex Nut	1.000" – 1.315"	1"	1"	0.266"	200 lb	50 lb	1.0000	
CD3BSS	Stainless Steel 304 (EN 1.4301)	Hex Nut	1.410" – 1.740"	1 1/2"	1 1/4"	0.266"	200 lb	50 lb	1.0000	
CD0B	Steel	Built-In Nut	0.670" – 0.840"	1/2"	1/2"	0.281"	200 lb	50 lb	1.0000	cUL, UL
CD0BSS	Stainless Steel 304 (EN 1.4301)	Hex Nut	0.670" – 0.840"	1/2"	1/2"	0.281"	200 lb	50 lb	1.0000	
CD1B	Steel	Built-In Nut	0.740" – 1.050"	3/4"	3/4"	0.281"	200 lb	50 lb	1.0000	cUL, ITB, UL
CD1BSS	Stainless Steel 304 (EN 1.4301)	Hex Nut	0.740" – 1.050"	3/4"	3/4"	0.281"	200 lb	50 lb	1.0000	
CD2.5B	Steel	Built-In Nut	1.220" – 1.510"	1 1/4"		0.281"	200 lb	50 lb	1.0000	
CD2B	Steel	Built-In Nut	1.000" – 1.315"	1"	1"	0.281"	200 lb	50 lb	1.0000	cUL, UL
CD3B	Steel	Built-In Nut	1.410" – 1.740"	1 1/2"	1 1/4"	0.281"	200 lb	50 lb	1.0000	cUL, ITB, UL

Catalog Number	Material	Nut Type	Outer Diameter(OD)	EMT Conduit Size	Rigid Conduit/Pipe Size	Hole Size(HS)	Static Load 1(F1)	Static Load 2(F2)	Packing Quantity	Certifications
CD4B	Steel	Built-In Nut	1.750" – 1.900"		1 1/2"	0.281"	200 lb	50 lb	1.0000	cUL, ITB, UL
CD4BSS	Stainless Steel 304 (EN 1.4301)	Hex Nut	1.750" – 1.900"		1 1/2"	0.281"	200 lb	50 lb	1.0000	
CD5B	Steel	Built-In Nut	1.910" – 2.875"	2"	2"	0.281"	200 lb	50 lb	1.0000	
CD5BSS	Stainless Steel 304 (EN 1.4301)	Hex Nut	1.910" – 2.875"	2"	2"	0.281"	350 lb	50 lb	1.0000	
CD6B	Steel	Hex Nut	2.600" – 3.000"	2 1/2"	2 1/2"	5/16"	350 lb	50 lb	1.0000	
CD7B	Steel	Hex Nut	3.150" – 3.500"	3"	3"	5/16"	350 lb	50 lb	1.0000	
CD8B	Steel	Hex Nut	3.740" – 4.130"	3 1/2"	3 1/2"	5/16"	350 lb	50 lb	1.0000	
CD9B	Steel	Hex Nut	4.250" – 4.530"	4"	4"	5/16"	350 lb	50 lb	1.0000	
CD6BSS	Stainless Steel 304 (EN 1.4301)	Hex Nut	2.600" – 3.000"	2 1/2"	2 1/2"	0.328"	350 lb	50 lb	1.0000	
CD7BSS	Stainless Steel 304 (EN 1.4301)	Hex Nut	3.150" – 3.500"	3"	3"	0.328"	350 lb	50 lb	1.0000	
CD8BSS	Stainless Steel 304 (EN 1.4301)	Hex Nut	3.740" – 4.130"	3 1/2"	3 1/2"	0.328"	350 lb	50 lb	1.0000	
CD9BSS	Stainless Steel 304 (EN 1.4301)	Hex Nut	4.250" – 4.530"	4"	4"	0.328"	350 lb	50 lb	1.0000	
CD0B37	Steel	Built-In Nut	0.670" – 0.840"	1/2"	1/2"	0.410"	200 lb	50 lb	1.0000	
CD1B37	Steel	Built-In Nut	0.740" – 1.050"	3/4"	3/4"	0.410"	200 lb	50 lb	1.0000	
CD2.5B37	Steel	Built-In Nut	1.220" – 1.510"	1 1/4"		0.410"	200 lb	50 lb	1.0000	
CD2B37	Steel	Built-In Nut	1.000" – 1.315"	1"	1"	0.410"	200 lb	50 lb	1.0000	
CD3B37	Steel	Built-In Nut	1.410" – 1.740"	1 1/2"	1 1/4"	0.410"	200 lb	50 lb	1.0000	
CD4B37	Steel	Built-In Nut	1.750" – 1.900"		1 1/2"	0.410"	200 lb	50 lb	1.0000	
CD5B37	Steel	Built-In Nut	1.910" – 2.875"	2"	2"	0.410"	200 lb	50 lb	1.0000	

## DIAGRAMS



## WARNING

nVent products shall be installed and used only as indicated in nVent's product instruction sheets and training materials. Instruction sheets are available at [www.nvent.com](http://www.nvent.com) and from your nVent customer service representative. Improper installation, misuse, misapplication or other failure to completely follow nVent's instructions and warnings may cause product malfunction, property damage, serious bodily injury and death and/or void your warranty.

**North America**

+1.800.753.9221

Option 1 – Customer Care

Option 2 – Technical Support

**Europe**

Netherlands:

+31 800-0200135

France:

+33 800 901 793

**Europe**

Germany:

800 1890272

Other Countries:

+31 13 5835404

**APAC**

Shanghai:

+ 86 21 2412 1618/19

Sydney:

+61 2 9751 8500



Our powerful portfolio of brands:  
**nVent.com CADDY ERICO HOFFMAN RAYCHEM SCHROFF**  
**TRACER**