



DROP-IN LOOP HANGER



CERTIFICATIONS



FEATURES

Next generation loop hanger revolutionizes the installation of pipe

Once on the guide arm, the weight of the pipe opens the self-closing latch and effortlessly guides the pipe into place

Integrated rubber sleeve is designed to provide additional grip when adjusting hanger height and reduce hanger rotation around the barrel nut-

Eliminates the need to disassemble the hanger during installation

Allows prefabrication of complex assemblies with fittings and branch lines that previously could not be installed in one piece

Designed to reduce overhead work for a safer, less strenuous installation

Flared edges help prevent sharp surfaces from coming into contact with the pipe

Retained insert nut helps ensure the loop hanger and insert nut stay together

Recommended for the suspension of stationary non-insulated pipe lines

Manufactured to use the minimum rod size permitted by NFPA® for fire sprinkler piping

Conforms with Federal Specification WW-H-171 (Type 10), Manufacturers Standardization Society (MSS) SP-58 (Type 10)

SPECIFICATIONS

Finish: Electrogalvanized

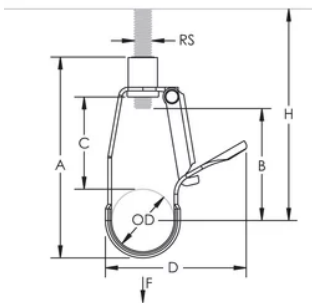
Material: Steel

Catalog Number	Pipe Size	Outer Diameter(OD)	Rod Size(RS)	A	B	C	D	Installation Height(H)	Static Load(F)
DH0100EG	1"	1.315"	3/8"	4 3/8"	2 9/16"	2 3/16"	3"	3 1/2" Min	300 lb
DH0125EG	1 1/4"	1.660"	3/8"	5"	3 1/8"	2 1/2"	3 9/16"	4 1/8" Min	300 lb
DH0150EG	1 1/2"	1.900"	3/8"	5 1/2"	3 7/16"	2 3/4"	3 15/16"	4 3/8" Min	300 lb
DH0200EG	2"	2 3/8"	3/8"	6 7/16"	4 1/8"	3 1/4"	4 15/16"	5 1/4" Min	300 lb

ADDITIONAL PRODUCT DETAILS

Installation Height represents the clearance distance needed from the loop hanger guide arm to structure to allow for installation of pipe.

DIAGRAMS



WARNING

nVent products shall be installed and used only as indicated in nVent's product instruction sheets and training materials. Instruction sheets are available at www.nvent.com and from your nVent customer service representative. Improper installation, misuse, misapplication or other failure to completely follow nVent's instructions and warnings may cause product malfunction, property damage, serious bodily injury and death and/or void your warranty.

North America

+1.800.753.9221
Option 1 – Customer Care
Option 2 – Technical Support

Europe

Netherlands:
+31 800-0200135
France:
+33 800 901 793

Europe

Germany:
800 1890272
Other Countries:
+31 13 5835404

APAC

Shanghai:
+ 86 21 2412 1618/19
Sydney:
+61 2 9751 8500



Our powerful portfolio of brands:
nVent.com **CADDY ERICO HOFFMAN RAYCHEM SCHROFF**
TRACER