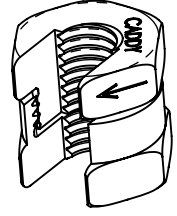


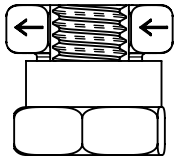
# SN SERIES NUT

U.S. PART NUMBER	EUROPE ARTICLE NUMBER	ROD SIZE	DESCRIPTION	LOAD RATING
SN25	N/A	1/4"	1/4" SN Nut	500 lbs
SNM6	390005	M6	M6 SN Nut	1,650 N
SN37	N/A	3/8"	3/8" SN Nut	1,350 lbs
SNM8	390006	M8	M8 SN Nut	4,500 N
SNM10	390007	M10	M10 SN Nut	6,000N
SN50	N/A	1/2"	1/2" SN Nut	2,250 lbs
SNM12	390008	M12	M12 SN Nut	10,000 N

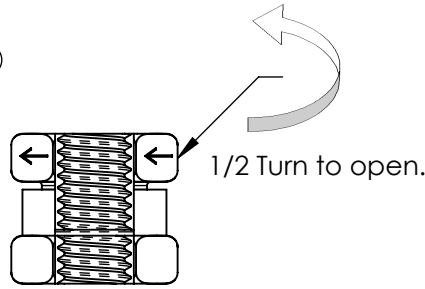


## General Application

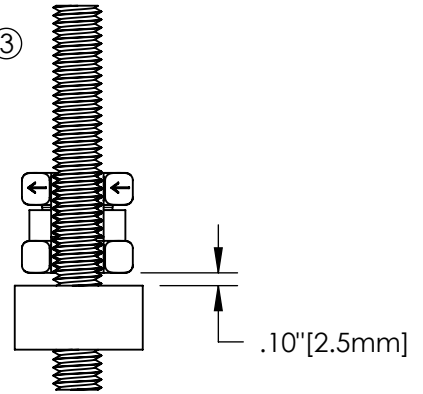
①



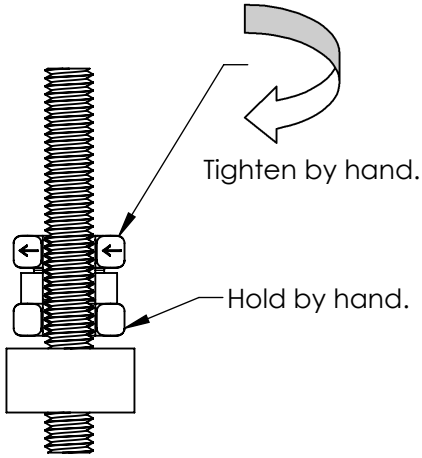
②



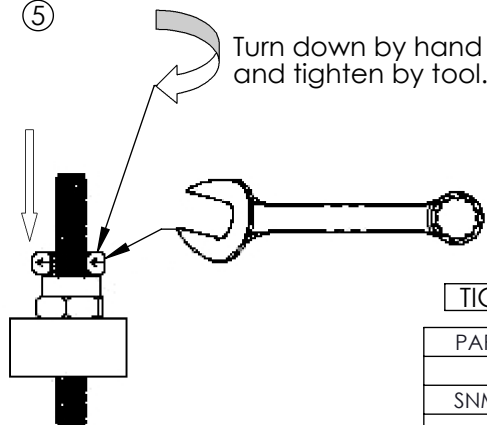
③



④



⑤



### TIGHTEN TORQUE BY TOOL

PART NUMBER	TORQUE
SN25	40 in-lb
SNM6(390005)	4.5 N-m
SN37	60 in-lb
SNM8(390006)	6.8 N-m
SNM10(390007)	6.8 N-m
SN50	125 in-lb
SNM12(390008)	14.1 N-m

#### WARNING:

- Pentair products shall be installed and used only as indicated in Pentair product instruction sheets and training materials. Instruction sheets are available at [www.erico.pentair.com](http://www.erico.pentair.com) and from your Pentair customer service representative.
- PENTAIR products must never be used for a purpose other than the purpose for which they were designed or in a manner that exceeds specified load ratings.
- All instructions must be **completely** followed to ensure proper and safe installation and performance.
- Improper installation, misuse, misapplication or other failure to completely follow Pentair's instructions and warnings may cause product malfunction, property damage, serious bodily injury and/or death, and void your warranty.
- Products that are manufactured using spring steel components shall be used only in a non-corrosive indoor environment.
- All pipe supports, hangers, intermediate components and structural attachments must **ONLY** be used as described herein and are **NEVER** to be used for any other purpose.

NOTE: All load ratings are for static conditions and do not account for dynamic loading such as wind, water or seismic loads, unless otherwise noted.

The customer is responsible for:

- Conformance to all governing codes.
- The integrity of structures to which the products are attached, including their capability of safely accepting the loads imposed, as evaluated by a qualified engineer.
- Using appropriate industry standard hardware as noted above.

#### SAFETY INSTRUCTIONS:

All governing codes and regulations and those required by the job site must be observed. Always use appropriate safety equipment such as eye protection, hard hat, and gloves as appropriate to the application.

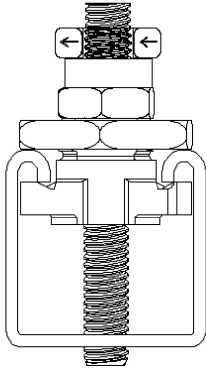
#### SAFETY INSTRUCTIONS:

All governing codes and regulations and those required by the job site must be observed. Always use appropriate safety equipment such as eye protection, hard hat, and gloves as appropriate to the application.

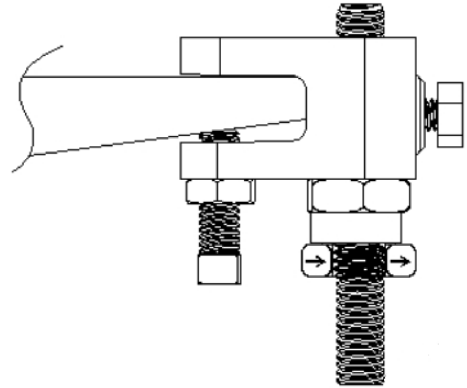
Pentair, CADDY, ERICO CADWELD, ERICO CRITEC, ERICO, ERIFLEX, and LENTON are owned by Pentair or its global affiliates. All other trademarks are the property of their respective owners. Pentair reserves the right to change specifications without prior notice.



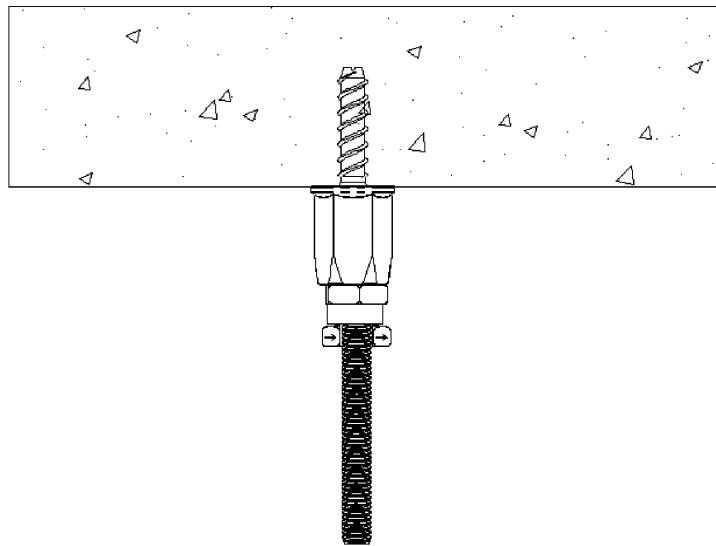
Application With CADDY ROD LOCK Channel Nut



Application With CADDY ROD LOCK Beam Clamp



Application with CADDY ROD LOCK Anchor Screw



Pentair, CADDY, ERICO CADWELD, ERICO CRITEC, ERICO, ERIFLEX, and LENTON are owned by Pentair or its global affiliates. All other trademarks are the property of their respective owners. Pentair reserves the right to change specifications without prior notice.