

# Notification Appliances

## S-HQ – 8” Supervised Speakers and Speaker Strobes

### Application: Indoor



S-HQ-W  
Speaker



S-HQ-MC-CW  
Speaker Strobe

### Product Overview

- High-efficiency design for maximum output at minimum wattage across a frequency range of 400 to 4000Hz
- S-HQ 8-Inch Speakers / Speaker-Strobes are designed for multiple power requirements with high dBA output at each power tap, and offers a choice of field selectable taps:
  - 1/4W to 8W for either 25.0VRMS or 70.0VRMS audio systems
- S-HQ 8-Inch Speaker portion has field-selectable taps from 1/8W to 8W for 25 or 70 VRMS operation
- The strobes portion of the Series ‘S-HQ’ appliances can be synchronized when used with any of the following:
  - 50-point, 252 / 504-point addressable fire-safety systems
  - FireFinder® XLS control panels
  - Siemens Dual-Sync Control Modules -> Model DSC-series with built-in sync protocol
  - Siemens PAD-series of NAC Extenders
- Siemens Series ‘S-HQ’ meets the requirement for low-frequency signal tone [as described in the section for **Determination of Low Frequency Signal Format** in the **Standard for Audible Signal Appliances**, per @UL464] when used with:
  - One (1) Amplifier Card {Model VCI2001-U1} with Siemens 252-point / 504-point addressable FACPs
  - One (1) Booster Amplifier {Model EBA200x Series} with Siemens 252-point / 504-point addressable FACPs
  - One (1) 40W Zone Amplifier Card {Model ZAC-40} with FireFinder® XLSV
- Fast installation with In / Out screw terminals using #12 to #18 AWG wires
- Ceiling-mount models are available with field-selectable Candela settings of 15/30/75/95cd
  - Speaker impedance: 8 ohms ( $\Omega$ )
- Round, metal 12-inch grille with white, powder-coated finish
  - Magnet weight: 9.5 oz. (269g.)
- Compatible with DC circuit supervision
- ADA / NFPA / ANSI compliant
- Complies with OSHA 29 Part 1910.165
- @UL Listed & @ULC Listed;  
CSFM (#7320-0067:0243 and #7320-0067:0255) Approved

### Specifications

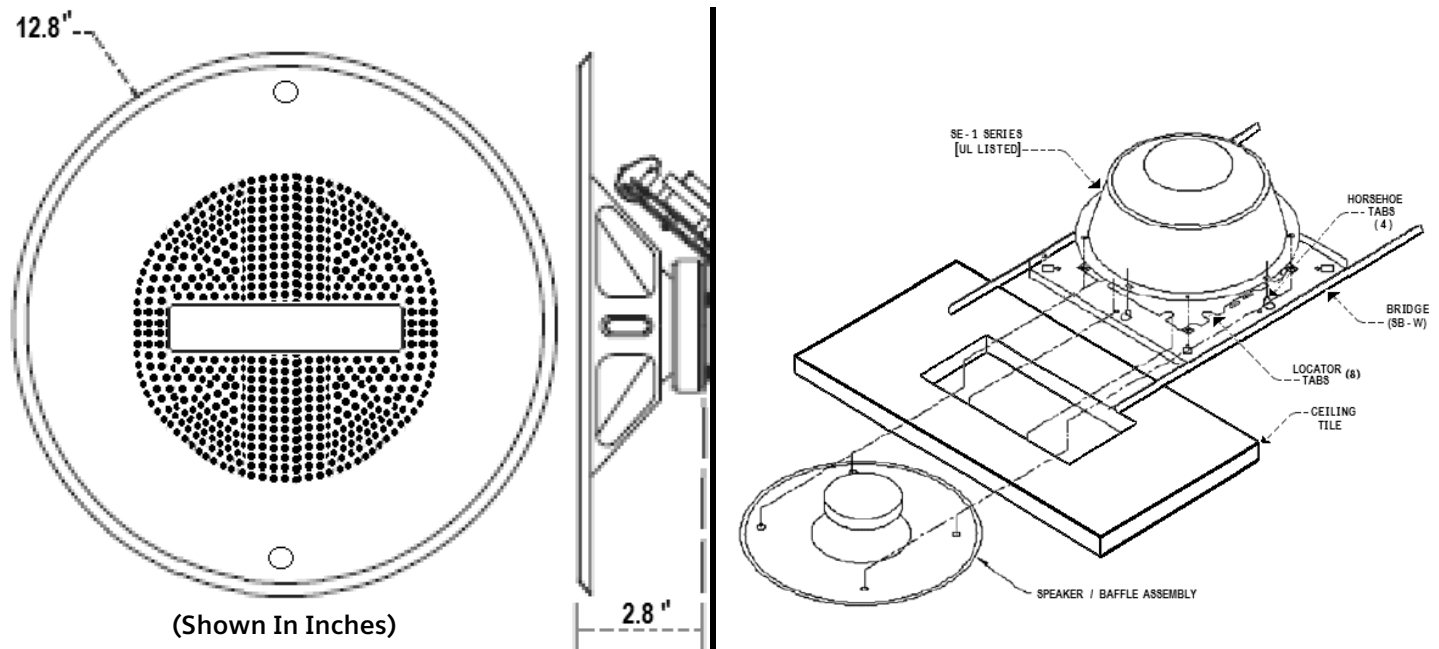
- Speaker appliances shall be Siemens Series ‘S-HQ’ Speakers and speaker / strobe appliances shall be Siemens Series S-HQ Speaker Strobes or approved equals
- Speakers shall be @UL Listed for indoor use under Standard 1480 for Fire Protective Service, and speakers equipped with strobes shall be listed for indoor use under @UL Standard 1971 for:
  - **Emergency Devices for the Hearing-Impaired**
  - Speaker with strobes shall be certified to meet the requirements of FCC Part 15, `Class B’

‘S-HQ’ Notification Appliances **2586**

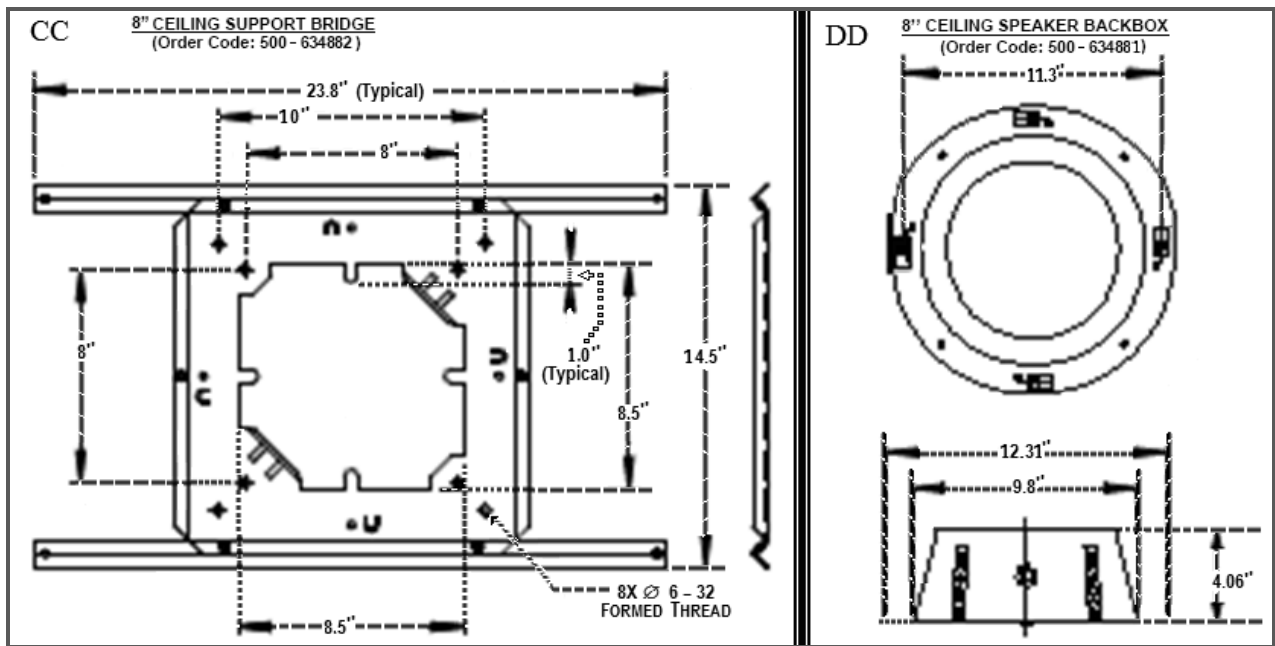
## Specifications – (continued)

- Strobe intensity, where multi-Candela appliances are specified, shall have field-selectable settings, and shall be rated per ©UL Standard 1971 for:
  - 15/30/75/95cd
- All models shall have listed sound output of up to 93 dB at 10 feet with 8 Watts of source power, and a Listed frequency response of 400 to 4000Hz:
  - Frequency Response: 200Hz – 15000Hz
  - 400Hz – 4000Hz (©UL)
- The strobe portion, when synchronization is required, shall be compatible when used with any of the following:
  - 50-point, 252 / 504-point addressable fire-safety systems
  - FireFinder® XLS control panels
  - Siemens Dual-Sync Control Modules -> Model DSC-series with built-in sync protocol
  - Siemens PAD-series of NAC Extenders
- Siemens Series 'S-HQ' meets the requirement for low-frequency signal tone, per ©UL464, when used with:
  - One (1) Amplifier Card {Model VCI2001-U1} with Siemens 252-point / 504-point addressable FACPs
  - One (1) Booster Amplifier {Model EBA200x Series} with Siemens 252-point / 504-point addressable FACPs
  - One (1) 40W Zone Amplifier Card {Model ZAC-40} with FireFinder XLSV
- Strobe portion of the appliance shall produce a flash rate of one (1) flash per second, and shall incorporate a Xenon flashtube enclosed in a rugged Lexan® lens
- The strobes shall not drift out of synchronization at any time during operation
- Speaker / strobe appliances shall be designed for indoor surface or flush mounting
- Speaker shall be mounted to round, metal 12" grille with a white, powder-coated finish, designed for indoor use
- All inputs shall employ terminals that accept #12 to #18 AWG wire sizes
- The strobe portion of the appliance shall be of low-current design
- All speaker and speaker / strobe appliances shall be listed for Special Applications:
  - Strobes are designed to flash at 1-flash-per-second minimum over their "Regulated Input Voltage Range"
    - **Note:** NFPA-72 specifies a flash rate of 1-to-2 flashes per second, and ADA Guidelines specify a flash rate of 1-to-3 flashes per second
  - All candela ratings for Series 'S-HQ' were tested to the voltage limits of 16.0 – 33.0 Volts for 24V models using filtered DC or unfiltered, full-wave rectified (FWR) voltage. (Outside voltage was not applied outside of this range.)

## Mounting Diagrams



## Mounting Diagrams – (continued)



## Technical Data

### S-HQ Series: Ceiling-Mount Strobes Only

Current Ratings (AMPs)				
MAXIMUM RMS Current – Per @UL				
Input Voltage Range	15cd	30cd	75cd	95cd
DC 16.0 – 33.0VRMS	0.069	0.111	0.200	0.264
FWR 16.0 – 33.0VRMS	0.117	0.180	0.297	0.398

### @UL Listed Models and Ratings – Per @UL 1971 and UL 1480

Model*	Operating Voltage (Special Application) (VDC/ VRMS)	Candela Settings
S-HQ	-----	-----
S-HQ-MC	16.0 – 33.0	15 / 30 / 75 / 95

### Speaker Voltage & Wattage Connection Chart

Position	25V	70V
A	2	---
B	1	---
C	1/2	---
D	1/4	2
E	1/8	1
F	----	1/2
G	----	1/4
H	----	1/8

### S-HQ Series: Ceiling-Mount Speakers Only

@UL Listed Models and Ratings								
Model*	Operating Voltage (VRMS)	dBA at 10 Feet (Rated Watts)						
		1/8	1/4	1/2	1	2	4	8
S-HQ	25/70	75	78	81	84	87	90	93
S-HQ-MC	25/70	75	78	81	84	87	90	93

\* All models available in red or white.

- Notes:**
1. Strobe will produce 1 flash per second over the "Regulated Voltage" range.
  2. The strobe meets the required light distribution patterns as defined in @UL 1971.
  3. Models are @UL Listed for indoor use with a temperature range of +32°F to +120°F (0°C to +49°C) and maximum humidity of 85% RH.
  4. A 10pF blocking capacitor for DC supervision of audio lines by the FACP is factory wired in series with the speaker input.
  5. The maximum supervision voltage is 33 VDC, and frequency range of speakers is 400 – 4000Hz.

*The effect of shipping and storage temperatures shall not adversely affect the performance of the appliance when it is stored in the original cartons, and is not subjected to misuse.*

## Details for Ordering – (Including Mounting Options & Agency Approvals)

### Agency Approvals

Model	Part Number	Description	Mounting Options*	UL	ULC	CSFM
S-HQ-MC-W	500-636108	S-HQ Series: 8-inch, Multi-Candela Ceiling Speaker, White	CC, DD	✓	✓	✓
S-HQ	500-634880	S-HQ Series: 8-inch Ceiling Speaker, White	CC, DD	✓	✓	✓
SE-1	500-634881	S-HQ Series: 8-inch Ceiling Speaker Back Box	CC, DD	✓	✓	✓
SB-W	500-634882	S-HQ Series: 8-inch Speaker Support Bridge	CC, DD	✓	✓	✓

✓ = listed / approved \* = Refer to Data sheet # 2585, for detailed mounting options

This Page Left Intentionally Blank

**Notice:** This marketing data sheet is not intended to be used for system design or installation purposes. For the most up-to-date information, refer to each product's installation instructions.