

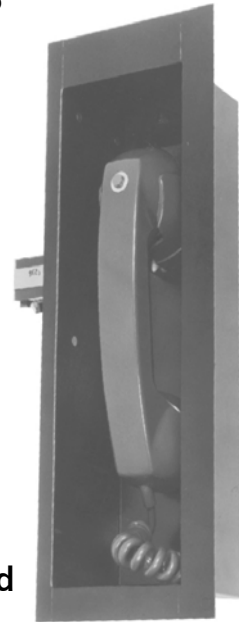


MXL / MXLV

MXLV Telephone Master Module Model TMM-1

ARCHITECT AND ENGINEER SPECIFICATIONS

- Master firefighter's telephone handset
- Push-to-talk button
- **Red**, high-impact plastic
- Switch hook
- High quality / low noise
- Acknowledge tone
- Busy signal
- Warden's page
- Recording output (on Model TBM-2)
-  UL 864 9th Edition Listed and  ULC Listed;
FM, CSFM, NYC Fire Department and City of Chicago Approved



Product Overview

The MXLV Telephone Master Module (Model TMM-1) from Siemens Industry – Fire Safety provides a Master firefighter's handset for communication with other wardens stations. Model TMM-1 mounts to the right of the Model MKB-2 Display / Keypad device in the front of the MXLV Command Console.

Model TMM-1 includes a **red** telephone handset and retractable cable. An integral push-to-talk button is conveniently situated in the center of the handset, and is constructed of high-impact plastic. Model TMM-1 also includes a switch hook and the telephone-riser interface circuitry.

The MXLV firefighter's telephone unit is designed for maximum performance in communication quality. The circuitry of Model TMM-1 allows at least six (6) telephone stations to be off hook simultaneously with no degradation of audio quality.

Model TMM-1 also supports a Warden's Page function that allows live voice announcements from any remote telephone. Zone call-ins are annunciated on the appropriate Model VSM-1 switch module. Remote stations receive an optional *Acknowledge* tone and an optional *Busy* tone.

Details for Ordering

Model Number	Part Number	Description
TMM-1	500-892080	Telephone Master Module

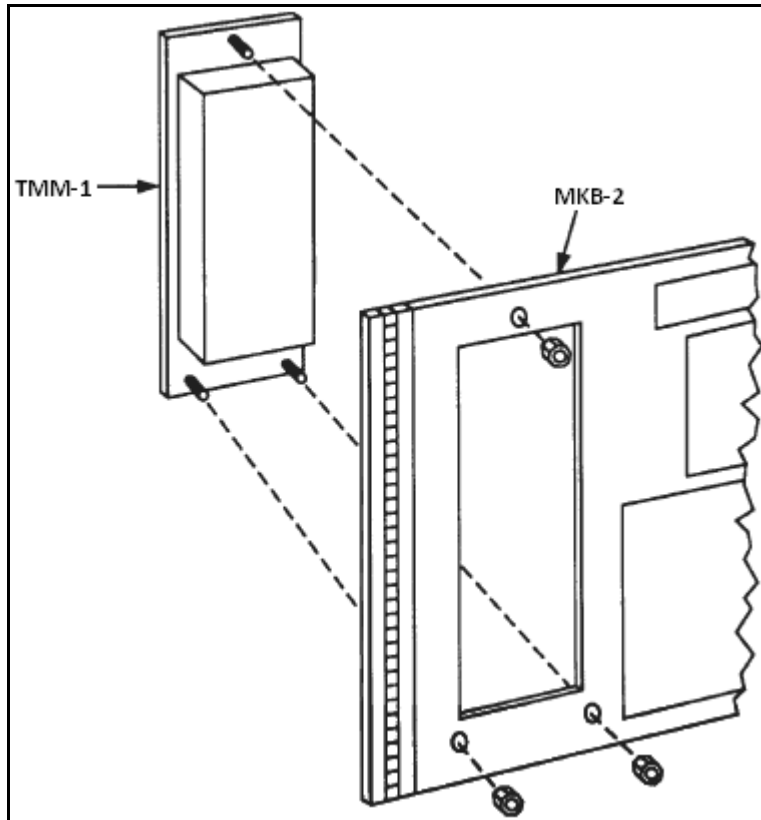
Installation and Operation Manual [IOM]

Model Number	Part Number	Description
TMM-1	315-092099	Telephone Master Module

Note: For further details, refer to MXLV IOM manual: 315-092036.

MXLV Telephone Master Module **5024**

Mounting Diagram



Related Documentation

Product	Data Sheet Number
Remote Firefighters' Phone	3391
ZCT-8B	5031
MXLV	5035
Enclosures	5056

Notice: This marketing data sheet is not intended to be used for system design or installation purposes. For the most up-to-date information, refer to each product's installation instructions.