

Installation Instructions

Model TSP-40A

Logging Printer

INTRODUCTION

The Model TSP-40A Logging Printer from Siemens Industry, Inc., is used in MXL/MXLV and CAB2 or CAB3 enclosures and provides a paper record of the activity of the system. You may install one printer for each MKB-2 Keyboard/Annunciator on your MXL/MXLV system or one printer for each Operator Interface (OI) on your FireFinder-XLS/Desigo Fire Safety Modular/Cerberus PRO Modular System.

For additional information on the MXL/MXLV System, refer to the MXL/MXLV Manual, P/N 315-092036. For additional information on the FireFinder-XLS/Desigo Fire Safety Modular/Cerberus PRO Modular System, refer to the FireFinder-XLS Control Panel Installation, Operation and Maintenance Manual, P/N 315-033744, the Desigo Fire Safety Modular Manual, Document ID A6V11231620, or the Cerberus PRO Modular Manual, Document ID A6V11231627. Instructions for installing the TSP-40A in a FireFinder-XLS System are found in P/N 315-049949.

INSTALLATION

MXL/MXLV System

The TSP-40A is mounted on four studs in the lower right hand corner of the MBR-MP mounting plate using the 4 standoffs and 4 nuts provided with the TSP-40A.

Mounting

To install the TSP-40A in an MME-3 or MLE-6 enclosure, place the standoffs over the four studs in the lower right hand corner of the MBR-MP mounting plate as shown in Figure 1. Mount the TSP-40A on the 4 standoffs and secure in place with the four nuts provided. (For mounting the MBR-MP in an MME-3 or MLE-6 enclosure, refer to P/N 315-094882.)

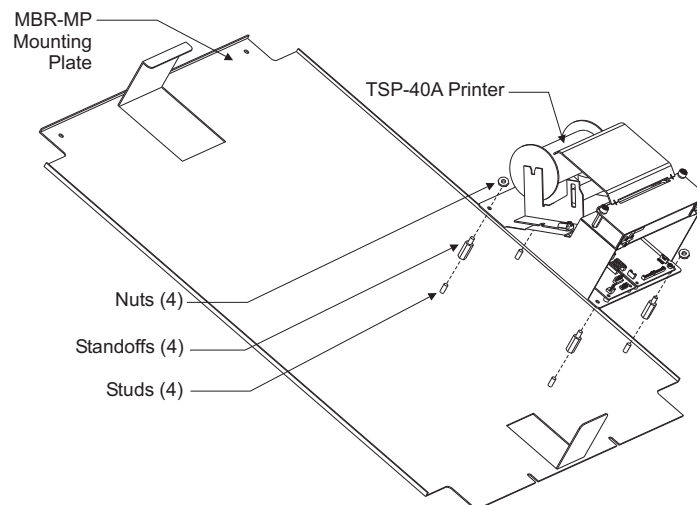


Figure 1
Mounting the TSP-40 on the MBR-MP Mounting Plate

FireFinder-XLS System/Desigo Fire Safety Modular/Cerberus PRO Modular

For mounting the TSP-40A printer in a FireFinder-XLS/Desigo Fire Safety Modular/Cerberus PRO Modular System, refer to installation instructions P/N 315-049950.

Electrical Installation

The TSP-40A comes with two cables—a two-conductor power cable and a data cable. These cables are used for installation only in an MXL/MXLV System.

MXL/MXLV System

The data cable (P/N 600-290607) connects to P2 on the TSP-40A and to P4 on the MMB or PSR-1.

The two-conductor power cable (P/N 600-290606) has a plug on one end that connects to P1 on the TSP-40A. The connection of the plug on the other end of the cable is dependent on whether or not an MOM-4 is installed in the panel.

- If no MOM-4 is installed, connect the two-conductor power cable to P3 on the MMB or to P1 on the PSR-1.
- If a MOM-4 is installed, connect the two-conductor power cable to P8 on the MOM-4.

Refer to Figure 2 for the location of the cable connections on the TSP-40A to an MXL/MXLV System.

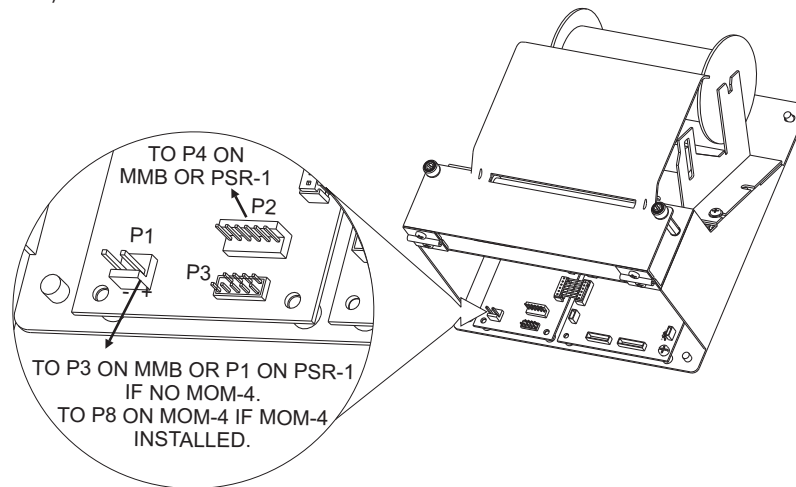


Figure 2
Wiring the TSP-40A to an MXL/MXLV System

FireFinder-XLS System/Desigo Fire Safety Modular/Cerberus PRO Modular

The cables for the FireFinder-XLS/Desigo Fire Safety Modular/Cerberus PRO Modular System are included in the TSP-XC cable kit (500-849950). Refer to the TSP-XC installation instructions, P/N 315-049950, for wiring information.

Electrical Ratings

Active 5VDC Module Current	0mA
Standby 24VDC Module Current	70mA
Active/Printing 24VDC Module Current	700mA

Installing the Paper Roll

To install the paper roll on the TSP-40A follow the steps listed below (See Figures 3, 4 and 5):

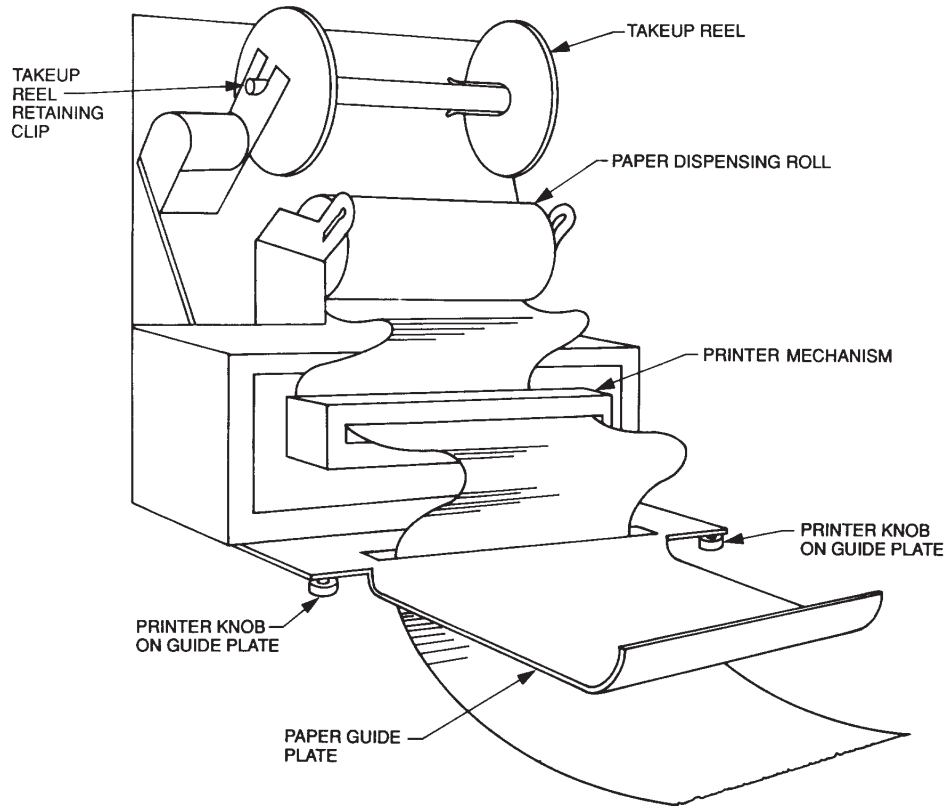
1. Loosen the two knobs on the printer guide plate and drop the paper guide plate, exposing the printer mechanism.
2. Remove the paper dispensing roller.
3. Put the roller through the paper roll and place the paper in the dispenser with the loose end of the paper against the printer.
4. (Refer to Figure 4.) Push the "Head Up Lever" to the down position to loosen the tension on the roller. Feed the loose end of the paper behind the roller at the top of the printer mechanism.
5. Advance the paper by turning the large gear on the right side of the printer mechanism clockwise. Advance the paper until one inch extends out from the printer mechanism.
6. Hold the paper with both hands and gently pull until 12 inches of paper extends out from the printer mechanism. Return the "Head Up Lever" to the upright position. (Note: the "Head Up Lever" must be in the upright position for the printer to print.)
7. Feed the paper through the slot in the guide plate.
8. Return the guide plate to its normal position and secure it with the two knobs.
9. Remove the take-up reel by pulling straight out on both sides of the reel. (See Figure 3.)
10. Separate the reel by pulling on both ends, revealing the paper retention clip (See Figure 5).
11. Place the loose end of the paper over the larger part of the reel and slide the smaller end of the reel over the paper. This locks the paper onto the takeup reel.
12. Make sure that the drive gear on the reel is on the left side. Then put the takeup reel back into the retaining clips. Press down until the reel snaps into place. Be sure that the drive gear engaged the drive motor gear.
13. Take up any slack in the paper by turning the takeup reel until the paper becomes taut.

Changing the Paper Roll

Change the paper roll, following the instructions above, when the paper supply is low, so that you do not lose a printed record of messages sent to a full printer buffer.

The paper roll is TSP-40-PP, P/N 500-691888.

Press CLEAR to resume printing after changing the paper roll or wait about 5 minutes for the printer to resume printing automatically.



*Figure 3
Installing the Paper*

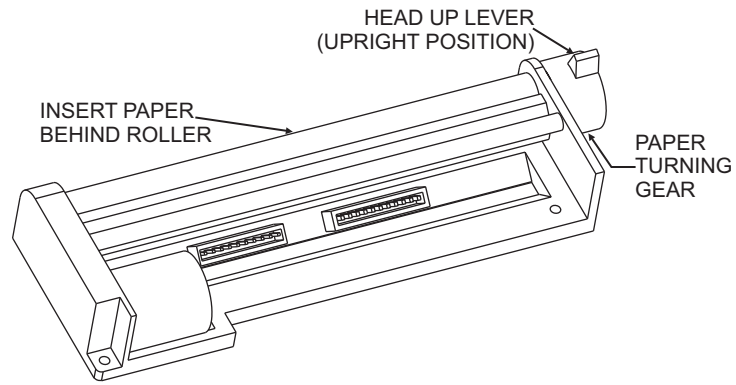


Figure 4
Printer Mechanism Detail

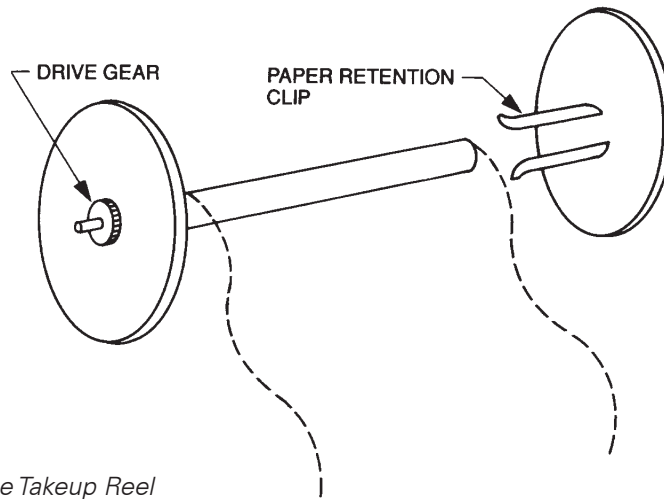


Figure 5
Using the Takeup Reel

Cyber security disclaimer

Siemens products and solutions provide security functions to ensure the secure operation of building comfort, fire safety, security management and physical security systems. The security functions on these products and solutions are important components of a comprehensive security concept.

It is, however, necessary to implement and maintain a comprehensive, state-of-the-art security concept that is customized to individual security needs. Such a security concept may result in additional site-specific preventive action to ensure that the building comfort, fire safety, security management or physical security system for your site are operated in a secure manner. These measures may include, but are not limited to, separating networks, physically protecting system components, user awareness programs, defense in depth, etc.

For additional information on building technology security and our offerings, contact your Siemens sales or project department. We strongly recommend customers to follow our security advisories, which provide information on the latest security threats, patches and other mitigation measures.

<http://www.siemens.com/cert/en/cert-security-advisories.htm>

THIS PAGE HAS BEEN LEFT INTENTIONALLY BLANK.

Siemens Industry, Inc.
Building Technologies Division
Florham Park, NJ

Siemens Canada, Ltd.
1577 North Service Road East
Oakville, Ontario
L6H 0H6 Canada

Document ID A6V10239137

P/N 315-034933-3