

Class 150 (Standard) Fig. 3105R Reducing Tee



Material Specifications

Dimensions:

Fittings: ASME B16.3
Unions: ASME B16.39
Bushings/Plugs: ASME B16.14

Material: ASTM A-197

Finish: Black or Hot Dip Galvanized per ASTM A153 Class A

Threads*: NPT per ASME B1.20.1

Pressure Ratings:

Fittings: ASME B16.3
Unions: ASME B16.39
Bushings/Plugs: ASME B16.14

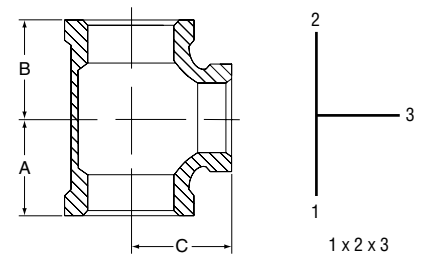
Pressure Testing: All malleable iron fittings are tested for through wall porosity using an air under water process.

Agency Approvals: All malleable iron fittings and unions are UL/ULC Listed and FM Approved.

*British Standard threading per BS 21 available upon request.

Figure 3105R Reducing Tee

Nominal Size			Dimensions			Approx Wt. Each
1	2	3	A	B	C	
In. (mm)	In. (mm)	In. (mm)	In. (mm)	In. (mm)	In. (mm)	Lbs. (kg)
1/2 15	1/2 15	1/4 8	0.97 24.64	0.97 24.64	0.98 24.89	0.24 0.11
		3/8 10	1.04 26.42	1.04 26.42	1.03 26.16	0.27 0.12
		3/4 20	1.22 30.99	1.22 30.99	1.20 30.48	0.37 0.17
		1 25	1.36 34.54	1.36 34.54	1.26 32.00	0.49 0.22
		1/2 15	1.20 30.48	1.12 26.16	1.22 28.45	0.38 0.17
3/4 20	3/4 20	3/4 20	1.31 33.27	1.22 28.45	1.31 33.27	0.45 0.20
		1/4 8	1.05 26.67	1.05 26.67	1.08 27.43	0.36 0.16
		3/8 10	1.12 28.45	1.12 28.45	1.13 28.70	0.39 0.18
		1/2 15	1.20 30.48	1.20 30.48	1.22 30.99	0.43 0.20
		1 25	1.45 36.83	1.45 36.83	1.37 28.45	0.62 0.28
1 25	1/2 15	1/4 8	1.50 38.10	1.18 29.97	1.50 38.10	0.63 0.29
		1/2 15	1.26 32.00	1.12 28.45	1.36 34.54	0.48 0.22
		3/4 20	1.37 34.80	1.22 28.45	1.45 34.54	0.56 0.25
		1 25	1.50 38.10	1.36 34.54	1.50 38.10	0.67 0.30



PROJECT INFORMATION	APPROVAL STAMP
Project:	Approved
Address:	Approved as noted
Contractor:	Not approved
Engineer:	Remarks:
Submittal Date:	
Notes 1:	
Notes 2:	

Class 150 (Standard) Fig. 3105R Reducing Tee

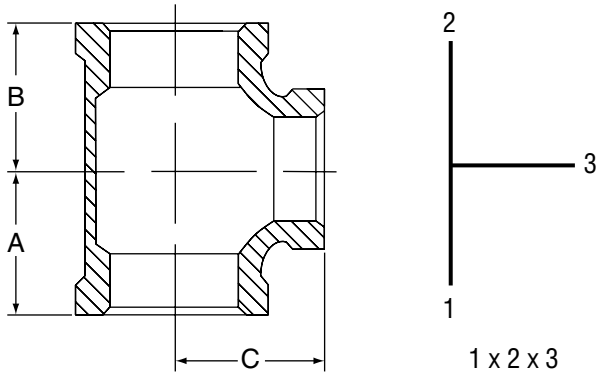


Figure 3105R Reducing Tee

Nominal Size			Dimensions			Approx Wt. Each
1	2	3	A	B	C	
In. (mm)	In. (mm)	In. (mm)	In. (mm)	In. (mm)	In. (mm)	Lbs. (kg)
1/4 32	1/4 32	3/8	1.26	1.26	1.44	0.78
		10	32.00	32.00	36.58	0.35
		1/2	1.34	1.34	1.53	0.84
		15	34.04	34.04	38.86	0.38
		3/4	1.45	1.45	1.62	0.92
		20	36.83	36.83	41.15	0.42
	1/2 40	1	1.58	1.58	1.67	1.04
		25	40.13	40.13	42.42	0.47
		1 1/2	1.88	1.88	1.82	1.34
		40	47.75	47.75	46.23	0.61
		2	2.10	2.10	1.90	1.65
		50	53.34	53.34	48.26	0.75
1/2 40	1/2 40	1 1/2	1.94	1.66	1.90	1.24
		40	49.28	42.16	48.26	0.56
		3/4	1.50	1.26	1.36	0.86
		20	38.10	32.00	38.54	0.39
		1 1/2	1.94	1.75	1.45	1.29
		40	49.28	44.45	36.83	0.59
	1 25	1	1.65	1.50	1.80	1.08
		25	41.91	38.10	45.72	0.49
		1/4	1.82	1.67	1.88	1.23
		32	46.23	42.42	47.75	0.56
		1 1/2	1.94	1.80	1.94	1.35
		40	49.28	45.72	49.28	0.61
1/4 32	1/4 32	3/4	1.52	1.45	1.75	1.04
		20	38.61	36.83	44.45	0.47
		1	1.65	1.58	1.80	1.17
		25	41.91	40.13	45.72	0.53
		1 1/4	1.82	1.75	1.88	1.32
		32	46.23	44.45	47.75	0.60
	1/2 40	1 1/2	1.94	1.88	1.94	1.45
		40	49.28	47.75	49.28	0.66
		2	2.10	2.10	1.90	1.82
		50	53.34	53.34	48.26	0.83
		1/2	1.41	1.41	1.66	1.04
		15	35.81	35.81	42.16	0.47
1/4 32	1/4 32	3/4	1.52	1.52	1.75	1.14
		20	38.61	38.61	44.45	0.52
		1	1.65	1.65	1.80	1.27
		25	41.91	41.91	45.72	0.58
		1 1/4	1.82	1.82	1.88	1.43
		32	46.23	46.23	47.75	0.65
	1 25	2	2.16	2.16	2.02	1.89
		50	54.86	54.86	51.31	0.86

Figure 3105R Reducing Tee

Nominal Size			Dimensions			Approx Wt. Each	
1	2	3	A	B	C		
In. (mm)	In. (mm)	In. (mm)	In. (mm)	In. (mm)	In. (mm)	Lbs. (kg)	
1 25	1/2 40	1/2	1.26	1.20	1.36	0.53	
		15	32.00	30.48	34.54	0.24	
		3/4	1.37	1.31	1.45	0.61	
		20	34.80	33.27	36.83	0.28	
		1	1.50	1.45	1.50	0.71	
		25	38.10	36.83	38.10	0.32	
	1 25	3/8	1.18	1.18	1.27	0.57	
		10	29.97	29.97	32.26	0.26	
		1/2	1.26	1.26	1.36	0.62	
		15	32.00	32.00	34.54	0.28	
		3/4	1.37	1.37	1.45	0.69	
		20	28.45	28.45	36.83	0.31	
	1 25	1 1/4	1.67	1.67	1.58	0.94	
		32	42.42	42.42	40.13	0.43	
		1 1/2	1.80	1.80	1.65	1.07	
		40	45.72	45.72	41.91	0.49	
		2	2.02	2.02	1.73	1.45	
		50	51.31	51.31	43.94	0.66	
	1/4 32	1/2 40	1	1.58	1.36	1.67	0.82
			25	40.13	34.54	42.42	0.37
			1 1/4	1.75	1.53	1.75	0.95
			32	44.45	38.86	44.45	0.43
			3/4	1.45	1.31	1.62	0.75
			20	36.83	33.27	41.15	0.34
1/4 32		1	1.58	1.45	1.67	0.87	
		25	40.13	36.83	42.42	0.39	
		1 1/4	1.75	1.62	1.75	1.00	
		32	44.45	41.15	44.45	0.45	
		1/2	1.34	1.26	1.53	0.74	
		15	34.04	32.00	38.86	0.34	
1 25	3/4	1.45	1.37	1.62	0.82		
	20	36.83	28.45	41.15	0.37		
	1	1.58	1.50	1.67	0.94		
	25	40.13	38.10	42.42	0.43		
	1 1/4	1.75	1.67	1.75	1.08		
	32	44.45	42.42	44.45	0.49		

Class 150 (Standard) Fig. 3105R Reducing Tee

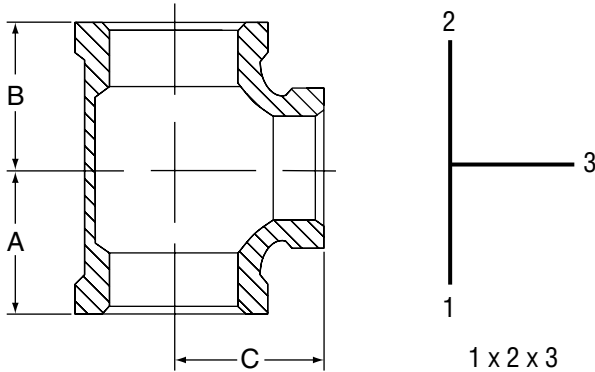


Figure 3105R Reducing Tee

Nominal Size			Dimensions			Approx Wt. Each
1	2	3	A	B	C	
In. (mm)	In. (mm)	In. (mm)	In. (mm)	In. (mm)	In. (mm)	Lbs. (kg)
2 50	1/2 15	2	2.25	1.88	2.25	1.89
		50	57.15	47.75	57.15	0.86
	3/4 20	2	2.25	1.97	2.25	1.93
		50	57.15	50.04	57.15	0.88
	1 25	1	1.81	1.75	1.87	1.39
		25	45.97	44.45	47.50	0.63
	2 50	2	2.25	2.02	2.25	2.00
		50	57.15	51.31	57.15	0.91
	1/4 32	1/4	1.90	1.75	2.10	1.64
		32	48.26	44.45	53.34	0.74
	1/2 40	1/2	2.02	1.88	2.16	1.80
		40	51.31	47.75	54.86	0.82
2 50	2	2.25	2.10	2.25	2.09	
	50	57.15	53.34	57.15	0.95	
1 25	1	1.73	1.65	2.02	1.57	
	25	43.94	41.91	51.31	0.71	
1/2 40	1/4	1.90	1.82	2.10	1.71	
	32	48.26	46.23	53.34	0.78	
1/2 40	1/2	2.02	1.94	2.16	1.88	
	40	51.31	49.28	54.86	0.85	
2 50	2	2.25	2.16	2.25	2.21	
	50	57.15	54.86	57.15	1.00	
1/2 15	1/2	1.49	1.49	1.88	1.53	
	15	37.85	37.85	47.75	0.69	
3/4 20	3/4	1.60	1.60	1.97	1.63	
	20	40.64	40.64	50.04	0.74	
1 25	1	1.73	1.73	2.02	1.78	
	25	43.94	43.94	51.31	0.81	
1/4 32	1/4	1.90	1.90	2.10	1.97	
	32	48.26	48.26	53.34	0.89	
1/2 40	1/2	2.02	2.02	2.16	2.12	
	40	51.31	51.31	54.86	0.96	
2 1/2 65	2 1/2	2.60	2.60	2.39	3.15	
	65	66.04	66.04	60.71	1.43	

Figure 3105R Reducing Tee

Nominal Size			Dimensions			Approx Wt. Each
1	2	3	A	B	C	
In. (mm)	In. (mm)	In. (mm)	In. (mm)	In. (mm)	In. (mm)	Lbs. (kg)
2 1/2 65	1/2 15	3/4	1.74	1.74	2.32	2.67
		20	44.20	44.20	58.93	1.21
	1 25	1	1.87	1.87	2.37	2.84
		25	47.50	47.50	60.20	1.29
	1/4 32	1/4	2.04	2.04	2.45	3.09
		32	51.82	51.82	62.23	1.40
	1/2 40	1/2	2.16	2.16	2.51	3.29
		40	54.86	54.86	63.75	1.49
	2 50	2	2.39	2.39	2.60	3.65
		50	60.71	60.71	66.04	1.66
	2 50	2	2.52	2.52	2.89	3.88
		50	64.01	64.01	73.41	1.76
3/4 20	3/4	1.87	1.87	2.61	3.72	
	20	47.50	47.50	66.29	1.69	
1 25	1	2.00	2.00	2.66	3.96	
	25	50.80	50.80	67.56	1.80	
1/4 32	1/4	2.17	2.17	2.74	4.23	
	32	55.12	55.12	69.60	1.92	
1/2 40	1/2	2.29	2.29	2.80	4.45	
	40	58.17	58.17	71.12	2.02	
2 50	2	2.52	2.52	2.89	4.90	
	50	64.01	64.01	73.41	2.22	
2 1/2 65	2 1/2	2.83	2.83	2.99	5.69	
	65	71.88	71.88	75.95	2.58	
2 50	2	2.74	2.74	3.41	7.52	
	50	69.60	69.60	86.61	3.41	
1/4 32	1/4	3.05	3.05	3.51	8.51	
	32	77.47	77.47	89.15	3.86	
3 80	3	3.30	3.30	3.60	9.25	
	80	83.82	83.82	91.44	4.20	