

## RTS451 Remote Test Station

### Specifications

Dimensions:	4.6" H × 2.75" W × 1.5" D
Weight:	.11 lbs.
Power Requirements:	
Alarm LED:	2.8 – 32 VDC, 7.5 mA max.
Total Current:	105 mA max.
Test Switch:	10 VA @ 32 VDC
Reset Switch:	10 VA @ 32 VDC
Alarm Response Time:	40 sec. max.
Temperature:	-10°C to 60°C (14°F to 140°F)
Humidity:	95% RH Non-condensing

**NOTICE:** This manual shall be left with the owner/user of this equipment.

**NOTE:** A test coil is required only for use with DH400/DH500 models and requires ordering of part #COIL.

### General Information

System Sensor's RTS451 is an automatic fire detector accessory designed to test a remotely located detector. Consult detector installation instructions for additional information.

The National Fire Protection Association has published codes, standards, and recommended practices for the installation and use of the above product. It is recommended that the installer be familiar with these requirements, with local codes, and any special requirements of the local authority having jurisdiction.

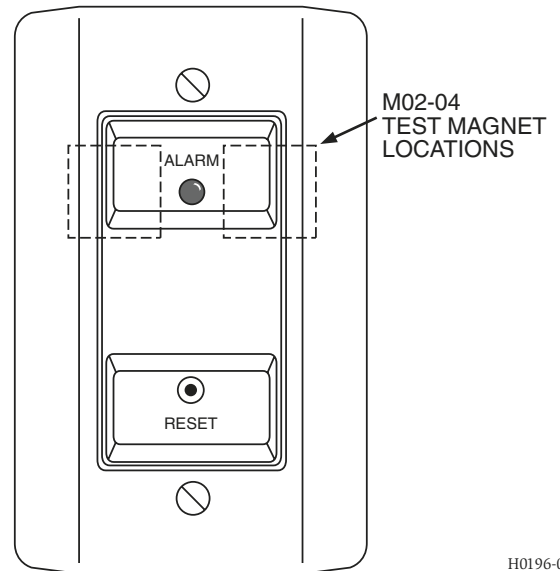
### RTS451 Contents

- 1 RTS451 remote test station
- 1 #4 screw for mounting bracket
- 1 screw pack (2 mounting screws)
- 1 M02-04 test magnet

### Wiring of RTS451

Consult the appropriate detector installation instructions for the applicable wiring diagram. The RTS451 mounts to a single gang box (2½" minimum depth), or directly to the wall or ceiling.

**Figure 1. RTS451 Remote Test Station**



H0196-00

See Figure 2 for wiring diagram of RTS451 with DH100ACDC Duct Smoke Detector.

In Canadian applications, the RTS451 is intended to be located in the same room as the smoke detector and within 60 feet of the unit.

**Operation**

**Test Function**

Place and hold the painted side of the magnet to the RTS451 on the right or left side of the LED as indicated in the diagram above.

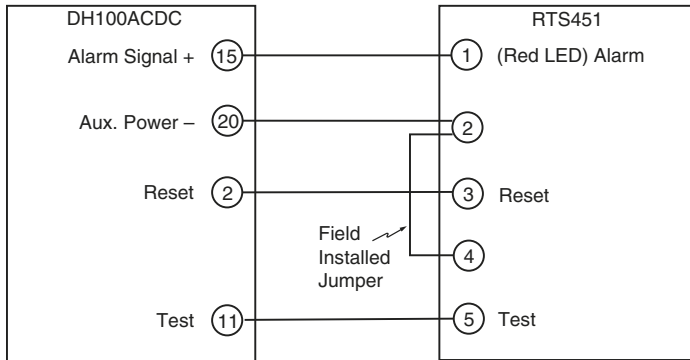
**Alarm Indication**

With the magnet in place some time will elapse (40 sec. maximum) depending on the detector type, before the alarm indicating LED will light.

**Reset Function**

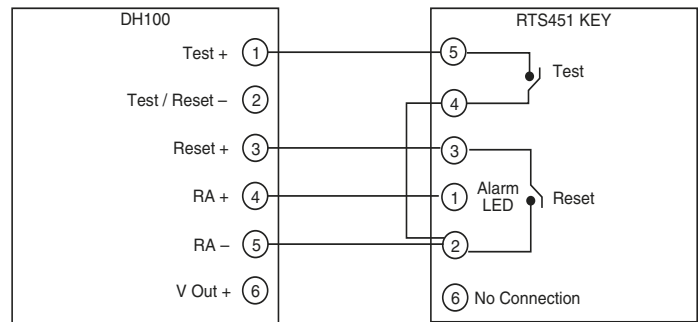
Gently insert a 1/8" maximum diameter tool into the hole until it stops and LED turns off. The RTS451 is capable of resetting only certain System Sensor models of detectors. Refer to detector installation instructions for additional information.

**Figure 2: Wiring diagram for RTS451 to DH100ACDC 4-Wire Duct Smoke Detector**



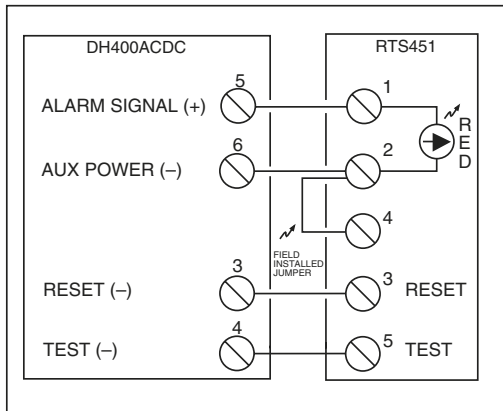
H0197-00

**Figure 3: Wiring diagram for RTS451 to DH100 2-Wire Duct Smoke Detector**



H0198-01

**Figure 4: Wiring diagram for RTS451 to DH400ACDC Duct Smoke Detector**



H0149-01

**Three-Year Limited Warranty**

System Sensor warrants its enclosed remote test station to be free from defects in materials and workmanship under normal use and service for a period of three years from date of manufacture. System Sensor makes no other express warranty for this remote test station. No agent, representative, dealer, or employee of the Company has the authority to increase or alter the obligations or limitations of this Warranty. The Company's obligation of this Warranty shall be limited to the repair or replacement of any part of the remote test station which is found to be defective in materials or workmanship under normal use and service during the three year period commencing with the date of manufacture. After phoning System Sensor's toll free number 800-SENSOR2 (736-7672) for a Return Authorization number, send defective units postage prepaid to: System

Sensor, Repair Department, RA # \_\_\_\_\_, 3825 Ohio Avenue, St. Charles, IL 60174. Please include a note describing the malfunction and suspected cause of failure. The Company shall not be obligated to repair or replace units which are found to be defective because of damage, unreasonable use, modifications, or alterations occurring after the date of manufacture. In no case shall the Company be liable for any consequential or incidental damages for breach of this or any other Warranty, expressed or implied whatsoever, even if the loss or damage is caused by the Company's negligence or fault. Some states do not allow the exclusion or limitation of incidental or consequential damages, so the above limitation or exclusion may not apply to you. This Warranty gives you specific legal rights, and you may also have other rights which vary from state to state.