

HP-24 / HP-24T Piezo Alert Mini Horn

Description:

AMSECO's Series mini horns are designed for alarm signaling in individual rooms, apartments, hotels, offices, etc. where dependable high performance alarm signaling is required. The mini horns produce a high sound output with a minimum current draw of just 15mA at 24VDC.

The mini horn is clearly labeled with FIRE lettering and is polarized for connecting to supervised fire alarm circuits.

The mini horn is available with terminals or 4-wires, in red or white housing 24VDC models.

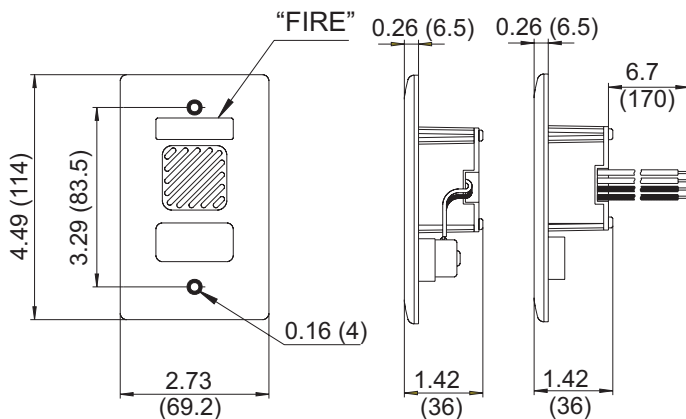
Application:

The HP-24 mini horn series is recommended for use in areas such as; meeting rooms, schools, corridors, apartments, office buildings, restaurants, hotels, and any other application where effective audible warning is required by Federal, State, or local authority having jurisdiction.

Engineering Specifications:

The Audible alarm indicating appliance shall be AMSECO model HP-24 or equivalent device. The horn shall be listed under UL 464 standard for Audible Signaling Appliance and shall be approved for fire protective service. The sound output shall be 82 dB at 10 ft. The signaling mini Horn shall operate on 24VDC from a non-coded regulated DC supply or full-wave rectified, unfiltered supply. The Horn shall be capable of WALL mounting to a single gang box. The HP-24 shall be installed as per plans and specifications.

Dimensions: Inches (mm)



Specifications:

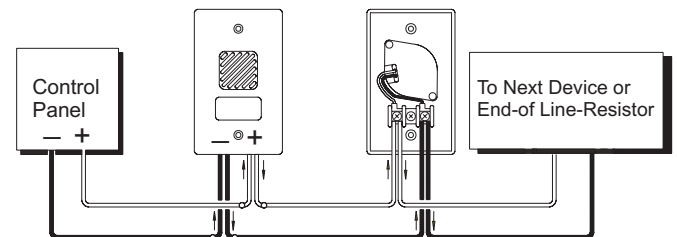
Model Number	Rated Voltage (VDC)	Wiring Type	Operating Range (VDC)	UL dB @ 10ft. (dBA)	Indoor dB @ 10ft (dBA)	Average Current (Amps)	Plate Color	Temperature Operating Range
HP-24R	24	4-wire	19.2 ~ 26.4	82	97	0.015	Red	-4° F ~ 140° F (-20° C ~ 60° C)
HP-24W	24	4-wire	19.2 ~ 26.4	82	97	0.015	White	
HP-24TR	24	Terminal	19.2 ~ 26.4	82	97	0.015	Red	
HP-24TW	24	Terminal	19.2 ~ 26.4	82	97	0.015	White	



Features:

- * Designed to meet or exceed NFPA/ANSI Standards and UL 464 Audible Signal Appliance.
- * Screw terminals capacity up to 12 AWG.
- * 4-wires for easy field wiring.
- * Polarized with wide listed voltage ranges using filtered DC or unfiltered FWR input voltage.
- * Mounts to a single gang box.
- * Available in red or white housing.

Mini Horn Wiring:



WARNING: Conductor Size (AWG), Length and capacity should be taken into consideration prior to design and installation of these products, particularly in retrofit installations.

Mounting:

