

# MR-199 SERIES

## HEAVY DUTY POWER RELAYS

### **PRODUCT DESCRIPTION**

The MR-199 Series Heavy Duty Power Relays are designed for control applications where 30A DPDT contacts are required. Two models are available: the MR-199X-13 , a 24VDC coil, and the MR-199X-14 , a 120VAC coil. Both models may be ordered in a rugged steel enclosure.



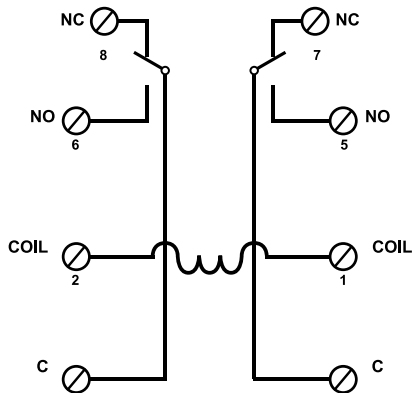
MR-199X-13 or  
MR-199X-14



MR-199X-13/C (-14)  
(or MR-199X-13/C/R (-14) with red enclosure)

### **WIRING**

#### MR-199 Series



# PRODUCT SPECIFICATIONS

MODEL NUMBER	INPUT VOLTAGE	MODULE POSITIONS	CONTACT CONFIGURATION PER POSITION	RELAY ONLY H X W X D	ENCLOSURE MOUNTED H X W X D	COVER MATERIAL	UL* FILE S3403
<b>MR-199X-13</b>	24VDC	1	DPDT	3.33" (84mm) 2.50" (63mm) 2.18" (55mm)			UOXX2
<b>MR-199X-14</b>	120VAC						
<b>MR-199X-13/C</b>	24VDC	1	DPDT		5.35" (136mm) 3.41" (86mm) 3.04" (77mm)	Grey 18ga CRS	UOXX UOXX2 UUKL UUKL2
<b>MR-199X-14/C</b>	120VAC						
<b>MR-199X-13/C/R</b>	24VDC	1	DPDT		5.35" (136mm) 3.41" (86mm) 3.04" (77mm)	Red 18ga CRS	UOXX UOXX2 UUKL UUKL2
<b>MR-199X-14/C/R</b>	120VAC						

POWER REQUIREMENTS: **MR-199X-13** 24VDC @ 85mA, Minimum pull-in voltage: 75% of nominal voltage @ 25°C  
**MR-199X-14** 120VAC @ 85mA, Minimum pull-in voltage: 85% of nominal voltage @ 25°C

COIL DATA:	Nominal	DC coils (-13)	2.0 Watts @ 25°C
		AC coils (-14)	9.8VA @ 25°C
	Max	DC coils (-13)	8.0 Watts @ 25°C

COMPONENTS: UL Recognized as component; UL Listed when installed in enclosure (/C versions)

POLARIZED: No

CONTACT RATINGS: 30A @ 240VAC; 20A @ 277VAC; 2HP @ 240VAC / 1.5HP @ 120VAC

CONTACT CONSTRUCTION: Dry form "C" DPDT

ENVIRONMENTAL: 32°F to 120°F (0°C to 49°C) @ 85% RH (@ 32°F), Non-condensing, Non-freezing

WIRING: #6 to #14 AWG terminals

/C VERSIONS: Backbox: 18ga CRS, plated with 1/2" conduit knockouts top and bottom

\*UOXX = Control Unit Accessories, System; 2 = Component

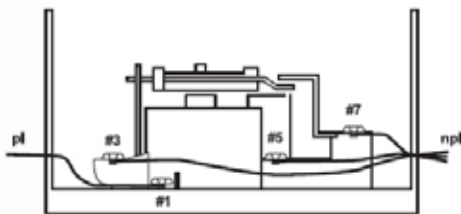
UUKL = Smoke Control System Equipment

UUKL2 = Control System Equipment, Smoke

## POWER LIMITED WIRING

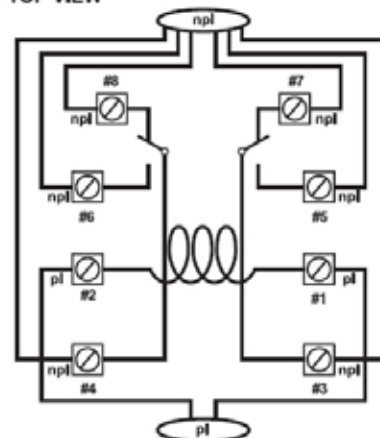
**MR-199X-13**  
**MR-199X-13/C**  
**MR-199X-13/C/R**  
 COIL POWER: 24VDC

SIDE VIEW - OTHER SIDE IDENTICAL



\*pl - POWER LIMITED  
 \*npl - NON-POWER LIMITED

TOP VIEW



**CAUTION: MINIMUM 1/4" SEGREGATION BETWEEN POWER LIMITED AND NON-POWER LIMITED WIRING**  
**CAUTION: DE-ENERGIZE POWER BEFORE SERVICE**  
**CAUTION: NON-ENCLOSED VERSIONS MUST BE MOUNTED IN THE APPLICATION ENCLOSURE**