

## Select-A-Horn/Strobe™ Combination SHW24-153075

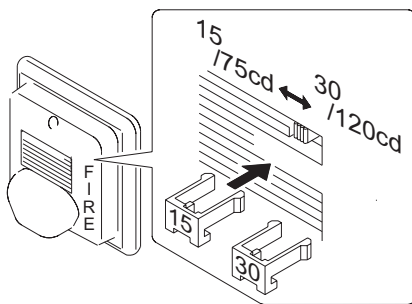
### Description:

AMSECO's *Select-A-Horn/Strobe* series are designed to comply with the Americans with Disability Act (ADA) and meet UL standard 1971 requirements for emergency signaling devices for the hearing impaired. The SHW24 series *Select-A-Horn/Strobe* features a unique candela intensity field selector switch for switching the candela output from 15/75 to 30/120 cd. The Horn provides two different field selectable tones, and a High / Low output setting that can be accomplished with the use of mini jumpers located on back of the unit. The strobe housing is clearly labeled with vertical "FIRE" lettering and is polarized for connecting to supervised fire alarm circuits. The strobe is designed with a xenon flashtube and provide a candela intensity field selector switch for maximum performance. The *Select-A-Horn/Strobe* series is available in red and white housing 15/75 or 30/120 cd. 24VDC models. The SHW24-153075 can be synchronized by using the SMS1-3A sync module to comply with NFPA recommendations concerning photosensitive epilepsy when installing 2 or more visual appliances within the field of view. The strobe signals are listed for indoor use, ceiling and wall mount, under UL 1971 standard.

### Application:

The SHW24-153075 Horn/Strobe series are recommended for use in areas such as; meeting rooms, schools, corridors, apartments, office buildings, restaurants, hotels, and any other application where effective Audible and Visual warning is required by Federal, State, or local authority having jurisdiction.

### Strobe Selectable Candela Output:



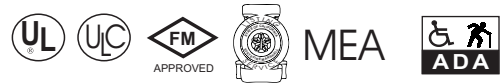
Tamper Proof

### Ordering Information:

MODEL NUMBER	INPUT VOLTAGE (VDC)	STROBE CANDELA	SYNCH W/ SMS1-3A MODULE	WALL MOUNT	CEILING MOUNT	COLOR RED	COLOR WHITE
SHW24-153075R	24	15/75 or 30/120	✓	✓	✓	✓	
SHW24-153075W	24	15/75 or 30/120	✓	✓	✓		✓



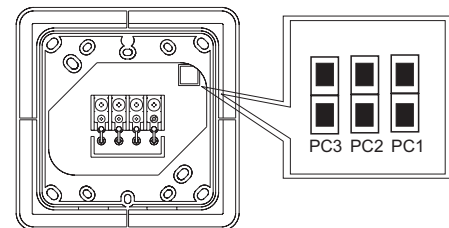
Horn/Strobe with Universal Mounting Plate Included



### Features:

- \* Designed to meet or exceed NFPA/ANSI Standards and ADA Accessibility Guidelines.
- \* UL listed for Wall or Ceiling mount.
- \* Screw terminal capacity up to 12 AWG.
- \* Universal mounting plate included with each unit.
- \* 24 volts DC strobe with two field selectable settings 15/75 or 30/120 cd.
- \* Polarized strobes with wide listed voltage ranges using filtered DC or unfiltered FWR input voltage.
- \* Horn field selectable tones:  
3000 Hz interrupted or Electro-mechanical  
Temporal or Non-temporal  
High or Low dBA output
- \* Meets ADA guidelines for minimum one flash per/sec (1Hz).
- \* All models 4" square, single gang, double gang, Or octagonal back box.
- \* 24 volt strobe models 15/75 or 30/120 candela Intensity.
- \* Tamper-proof candela selector switch.
- \* Synchronization requires an AMSECO SMS1-3A Sync Module.
- \* Available in red or white housing.

### Horn Selectable Sound Output:

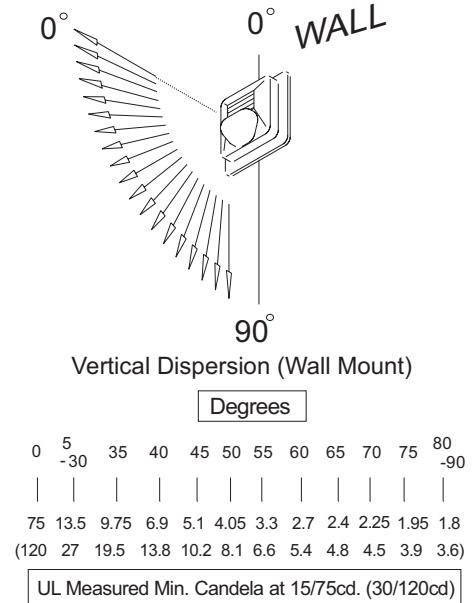
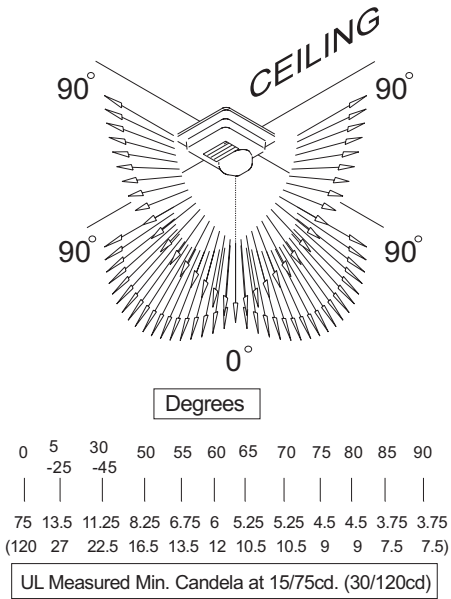


Temporal - Non-Temporal  
 Electro Mech - 3000 Hz  
 High - Low

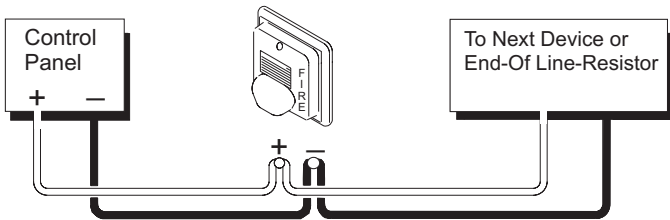
**Engineering Specifications:**

The Audible and Visual alarm indicating appliance shall be AMSECO model SHW24-153075 or equivalent device. The Strobe shall be listed under UL 1971 standard for signaling devices for the hearing impaired and shall be approved for fire protective service. The candela output shall be field selectable, having a dual setting of 15/75 cd or 30/120 cd output. The Horn shall provide two different field selectable tones a High and Low field selectable sound output setting. The signaling Horn/Strobe shall operate on 24VDC from a non-coded regulated DC supply or full-wave rectified, unfiltered supply. The signaling strobe shall be designed to produce a signal flash of one flash per second with continuously applied minimum voltage. The Horn/Strobe shall be capable of WALL or CEILING mounting to a universal backbox. Visual signaling devices shall be mounted 80" above the highest floor point or 6" below ceiling; whichever is lowest and are to be installed as per plans and specifications.

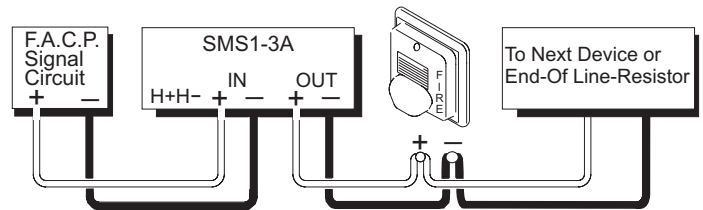
**Light Output Distribution / Horizontal and Vertical Dispersion:**



**Horn/Strobe Combination Wiring:**

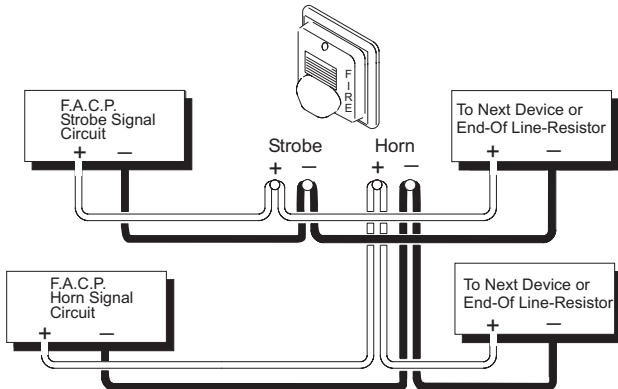


**Wired Without Audible Silence Feature:**

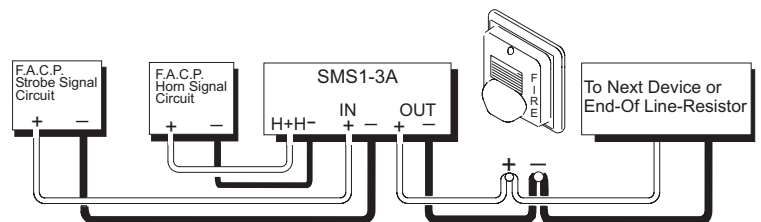


\*The Sync module is rated for 3.0 amperes at 24 VDC.

**Signals Wired for Independent Operation:**



**Wired for Audible Silence Feature:**



**WARNING:**

- \*Strobes must be use only on circuits with continuously operating voltage, DO NOT use strobe on coded or interrupted circuits in which the applied voltage is interrupted ON and OFF as the strobe may fail to flash.
- \* The strobe applied voltage must be within its rated input voltage range.
- \* Fuse ratings on signaling circuits must handle peak currents from all devices connected to those circuits.

### Horn/Strobe Current Draw Table:

Average Current (mA)															
	PC1 Volume	PC2 Tone	PC3 Pattern	P C 1	P C 2	P C 3	16VDC			24VDC			33VDC		
							Sound Output dBA @ DC	DC	FWR	Sound Output dBA @ DC	DC	FWR	Sound Output dBA @ DC	DC	FWR
@ 15 / 75 cd	HIGH	Electro Mechanical	Non-Temp	1	1	1	88	103	118	88	88	98	88	86	93
			Temporal	1	1	0	82	94	114	85	80	91	85	78	82
		3000 Hz	Non-Temp	1	0	1	88	104	120	88	89	100	88	87	96
	LOW	Electro Mechanical	Non-Temp	0	1	1	75	90	112	79	74	91	82	74	86
			Temporal	0	1	0	75	86	106	76	71	85	79	70	78
		3000 Hz	Non-Temp	0	0	1	79	89	113	79	74	91	82	75	88
@ 30 / 120 cd	HIGH	Electro Mechanical	Non-Temp	1	1	1	88	144	165	88	113	129	88	104	114
			Temporal	1	1	0	82	132	166	85	103	122	85	94	105
		3000 Hz	Non-Temp	1	0	1	88	143	173	88	114	132	88	104	118
	LOW	Electro Mechanical	Non-Temp	0	1	1	75	131	160	79	98	120	82	91	110
			Temporal	0	1	0	75	126	158	76	94	116	79	86	100
		3000 Hz	Non-Temp	0	0	1	79	129	166	79	98	123	82	92	112
Horn Only	HIGH	Electro Mechanical	Non-Temp	1	1	1	88	26	29	88	40	42	88	51	51
			Temporal	1	1	0	82	20	19	85	33	29	85	42	39
		3000 Hz	Non-Temp	1	0	1	88	28	30	88	42	42	88	52	53
	LOW	Electro Mechanical	Non-Temp	0	1	1	75	14	16	79	26	29	82	41	43
			Temporal	0	1	0	75	12	12	76	23	22	79	37	35
		3000 Hz	Non-Temp	0	0	1	79	15	17	79	27	29	82	42	44
			Temporal	0	0	0	75	12	12	76	23	23	79	37	35

\*\*Sound output varies with tone and options selected.

### Strobe Only Current Draw Table:

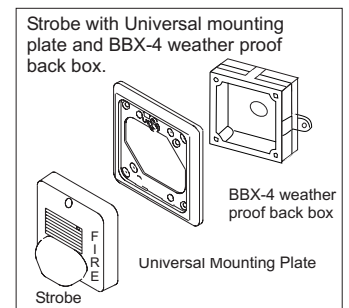
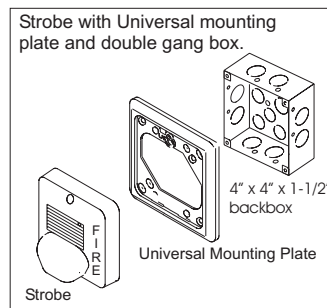
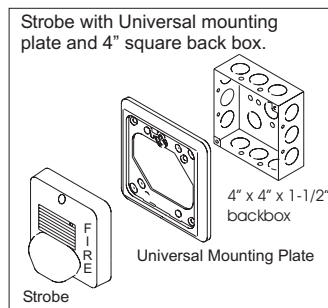
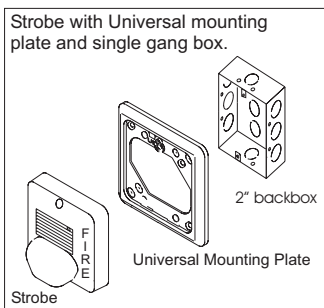
Average Current (mA) 24 volt models							Peak Current (mA) 24 volt models							In-Rush Current (mA) 24 volt models						
	16V		24V		33V			16V		24V		33V			16V		24V		33V	
Candela	DC	FWR	DC	FWR	DC	FWR	Candela	DC	FWR	DC	FWR	DC	FWR	Candela	DC	FWR	DC	FWR	DC	FWR
15/75	83	112	62	81	58	74	15/75	90	245	78	220	70	180	15/75	300	310	320	370	380	350
30/120	130	174	92	123	79	104	30/120	145	270	105	270	90	250	30/120	310	340	350	370	380	375

The SLW24-153075 series strobes are listed for indoor use with a temperature operating range of 32°F ~ 120°F (0°C ~ 49°C).

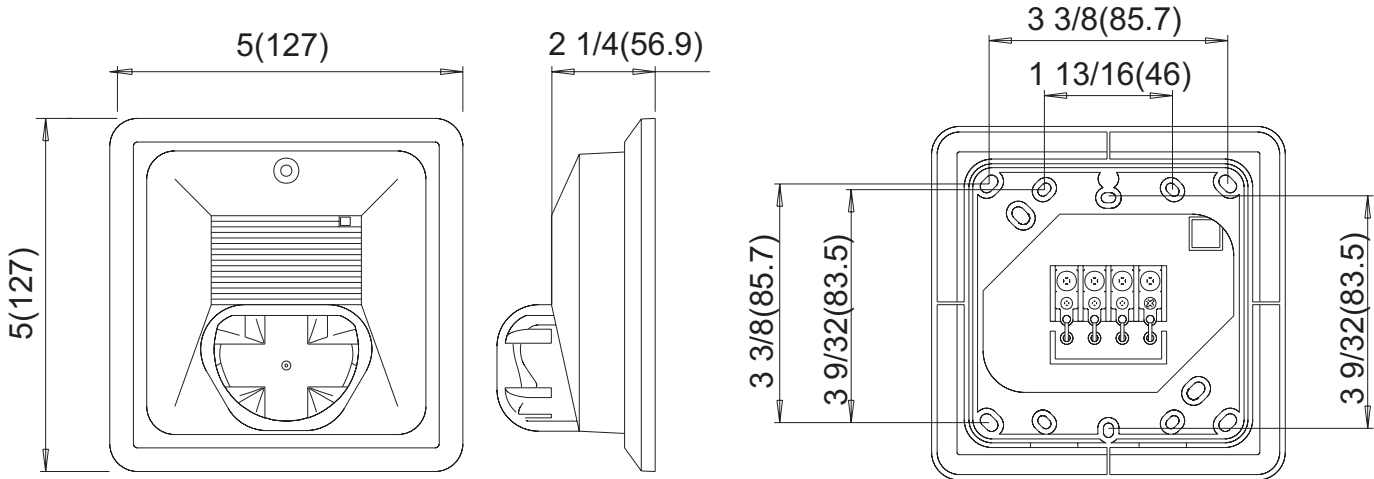
### UL Rated True RMS @ 24VDC

Candela	Average	Peak	In-Rush
15cd	71mA	99mA	386mA
30cd	113mA	143mA	382mA

### Mounting Options:



**Dimensions:** Inches (mm)



**SMS1-3A Sync Module:**

When used with the SHW-24 Horn/Strobe series the SMS1-3A provides synchronized temporal pattern and a synchronized strobe flash while using a single pair of wires on a single class "A" circuit.



Model Number	Input Voltage (VDC)	Maximum Load (Amps)	Average Current (mA)	Mounting Back Box	Color
SMS1-3A	24	3	9	4"x4"x1-1/2"	Red

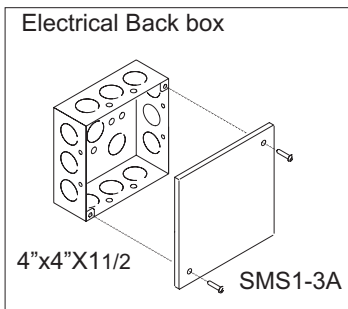
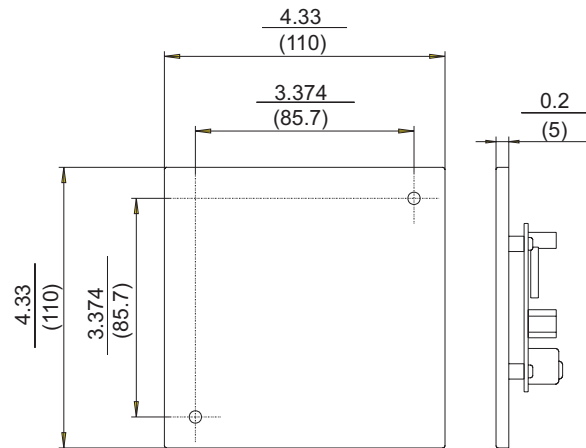
\* The total current draw from all devices connected to the SMS1-3A should not exceed 3.0A.  
 \*\*The SMS1-3A should only be connected to circuits that provide continuously applied voltage.

**SMS1-3A Current Draw Table:**

Voltage	Average		Peak		In-Rush	
	DC	FWR	DC	FWR	DC	FWR
20V	8mA	8mA	31mA	57mA	44mA	62mA
24V	9mA	9mA	32mA	62mA	52mA	75mA
30V	10mA	10mA	33mA	66mA	70mA	94mA

The SMS1-3A module is listed for indoor use with a temperature operating range of 32°F ~ 120°F ( 0°C ~ 49°C ).

**Dimensions:** Inch (mm)



\* Due to continuous development of our product line, specifications are subject to change without notice.