



# 116 Class Genesis Fire Alarm Strobe Explosionproof

Edwards 116 Class Genesis fire alarm strobe is designed for use in Class 1, Division 1 and 2 explosionproof and hazardous location applications where electrical supervision is required. The diode-polarized strobe is intended for indoor use in UL 1971 listed compatible fire alarm systems and is ADA compliant for the hearing impaired.

116 Class Genesis strobe provides 65 flashes per minute and 125 cd ceiling and 60 cd wall light output. With the guard installed, the strobe flashes with an output of 86 cd ceiling and 51 cd wall, and is UL 1638 listed.

These units are UL 1638 and cUL listed for outdoor use as a NEMA Type 3R and 4X enclosure; and Canada (cUL) to Canadian standard ULC-S526-07 suitable for indoor or outdoor applications.

The 116 Class features an enhanced synchronization circuit to comply with the latest requirements of UL 1971, signaling devices for the hearing impaired, and the Canadian standard CAN/ULC S526. Synchronized operation requires a separately installed synchronization control module, compatible Edwards control panel or booster power supply. See table on page 2 for a list of compatible synchronization modules.

Mounting options are available (ordered separately) for wall, ceiling and pendant mounts. The unit is supplied with a guard installed over the clear outer globe for additional protection against impact.

## 116 Class Genesis Features

- Clear globe with dome guard
- Three mounting options: wall, ceiling, or pendant
- Negligible in-rush current
- Approved for fire alarm applications
- NEMA Type 3R and 4X enclosures
- Can be synchronized when connected to a compatible Edwards control panel, booster power supply or synchronization module
- Available in 16-33V DC/FWR
- UL 1638, UL 1971 and cUL Listed



## 116 Class Genesis

Description	Cat. No.	Operating Voltage	Current	Lens Colors	Flash Rate	Replacement	
						Dome	Guard
Explosionproof Fire Alarm Strobe	116DEGEX-FJ	16-33V DC/FWR	0.505A, DC, RMS 0.683A, FWR, RMS	Clear	65 fpm	116-Globe	116-GRD

## Accessories

Description	Cat. No.	Conduit Size
Wall Bracket Mounting Elbow	116EX-B*	N/A
Ceiling/Wall Mounting Module	116EX-C	3/4" NPT
Pendant Mounting Module	116EX-P	3/4" NPT

\*Note: Wall mount requires both 116EX-B and 116EX-C.

## Compatible Synchronization Modules

Description	Cat. No.
Auto-sync Output Module	SIGA-CC1S
	SIGA-CC1S-LG
	SIGA-MCC1S
	SIGA-MCC1S-LG
Genesis Signal Master - Remote Mount	ADTG1M-RM
	EG1M-RM
	G1M-RM
	G1M-RM-LG
	MG1M-RM
	XLSG1M-RM
	ZG1M-RM

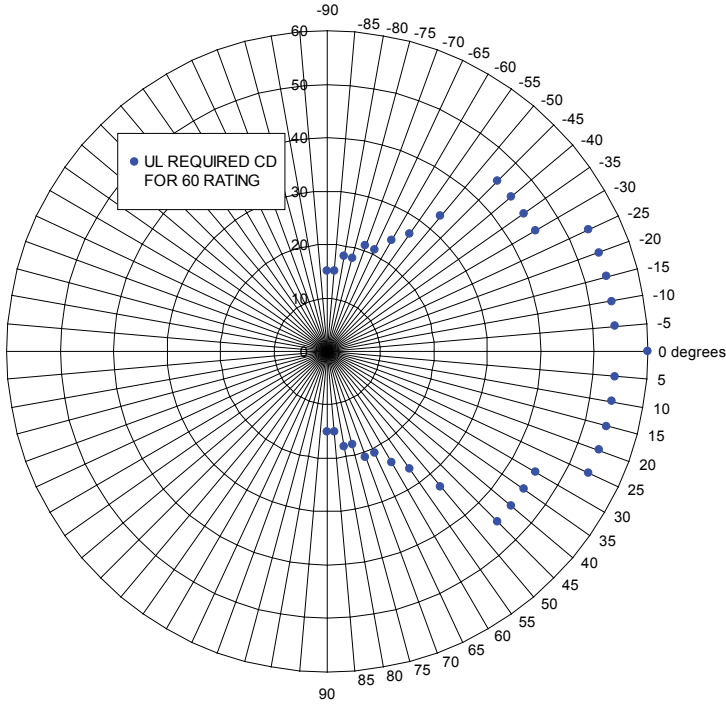
## 116 Class Mounting Options

Description	Cat. No.	Electrical Ratings	Conduit Size	Flash Rate	Strobe Tube Replacement
Housing Less Mounting Module	116DEGEX-FJ	16-33V DC/FWR 0.505A, DC, RMS 0.683A, FWR, RMS	N/A	Approx. 65 fpm	N/A
Ceiling/Wall Mounting Module	116EX-C	N/A	3/4" NPT	N/A	N/A
Pendant Mounting Module	116EX-P	N/A	3/4" NPT	N/A	N/A
Wall Bracket Mounting Module	116EX-B	N/A	N/A	N/A	N/A

## Hazardous Location Ratings

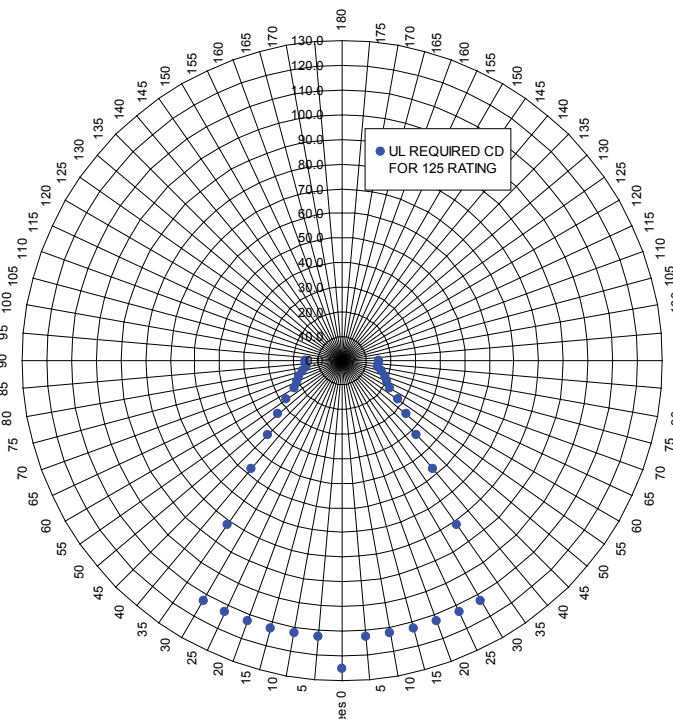
116 Class Genesis	Ambient Temp.	Supply Wire Temp. Marking	Operating Temperature			
			Class I, Div. 2 Groups A, B	Class I, Div. 1 & 2 Groups C, D	Class II, Div. 1 Groups E, F, G, & Class III	Class II, Div. 2 Groups F, G, & Class III
	40°C	75°C	T2B (260°C)	T6 (85°C)	T4A (120°C)	T4A (120°C)
	55°C	90°C	T2B (260°C)	T6 (85°C)	T4 (135°C)	T4 (135°C)
	65°C	105°C	T2B (260°C)	T6 (85°C)	T3C (160°C)	T3C (160°C)

Effective Candela Light Output for Wall Bracket Mount  
Vertical Plane  
(Zero degree angle at side of globe)



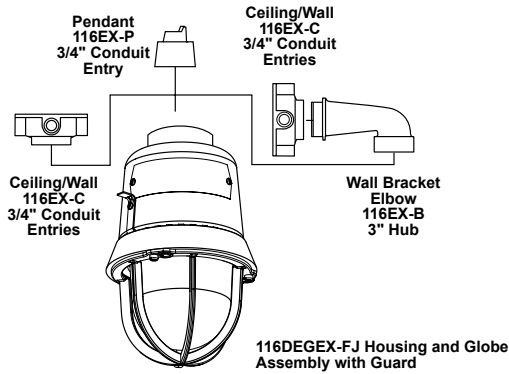
UL 1971 Hearing Impaired: 60 cd wall

Effective Candela Light Output for Ceiling Mount  
X and Y Planes  
(Zero degree angle at bottom of globe)



UL 1971 Hearing Impaired: 125 cd ceiling

## Family Tree



Note: 116EX-C must be used when application requires 116EX-B

## Dimensional Drawings

