

## Overview

202 Series strobes are specially designed for use with compatible life safety communication and control equipment to alert the hearing impaired of a life safety event. Strobes are available with 15/75 cd, and 110 cd effective flash intensity. They are fully compatible with Genesis signals.

Strobes are shipped with standard wall mount style "FIRE" lens markings. Where ceiling mount, other languages, or different lens markings are required, GE Security offers optional LKW and LKC series Lens Marking Kits. These optional lens markings simply snap on to the strobe. Consult GE Security for availability of special lens markings.

202 Series strobes are designed for 16 to 33 Vdc operation and must be connected to signal circuits that output a constant (not pulsed) voltage. A diode is used to allow full signal circuit supervision and polarized connections are made to terminals that accept up to #12 AWG (2.5mm<sup>2</sup>) wire. The 203 Series strobe operates from a 120 Vac 50/60 Hz supply and is not synchronized.

The strobe housing/front plate is finished in red or white and is made from durable and fire retardant, high impact plastic with a slightly textured surface.

## Standard Features

- **UL 1971-listed synchronizing strobe**  
Integrity strobes synchronize to the latest UL 1971 requirements when used with a synchronization source.
- **Genesis-compatible**  
All Genesis and Integrity strobes on the same circuit meet UL 1971 synchronization requirements when used with an external control module.
- **Approved for public and private mode applications**  
UL 1971-listed as signaling devices for the hearing impaired and UL 1638-listed as protective visual signaling appliances.
- **Rated for wall or ceiling installation**
- **Field changeable field markings**  
Lens language or standard "FIRE" marking is easily changed with optional LKW and LKC series lens kits.
- **Screw terminal wire connection**  
Large terminals speed installation and accept up to #12 AWG (2.5mm<sup>2</sup>) wire.
- **Fits one-gang flush box**  
Ideal for retrofit and renovation projects. Optional color-matched surface boxes available.

# Synchronized Strobe

202-7A, 202-8A, 203-8A



MEA

Patented



# Application

**NOTE:** The installation of visible and audible signals are subject to national and local standards, codes, and ordinances. Consult your Authority Having Jurisdiction for device installation requirements, application standards, and minimum performance specifications.

GE Security strobes are UL 1971-listed for use indoors as wall-mounted public-mode notification appliances for the hearing impaired. Prevailing codes require strobes to be used where ambient noise conditions exceed specified levels, where occupants use hearing protection, and in areas of public accommodation. Consult with your Authority Having Jurisdiction for details.

As part of the Enhanced Integrity line of products, 202/203 Series strobes exceed UL synchronization requirements (within 10 milliseconds other over a two-hour period) when used with a synchronization source. Synchronization is important in order to avoid epileptic sensitivity.

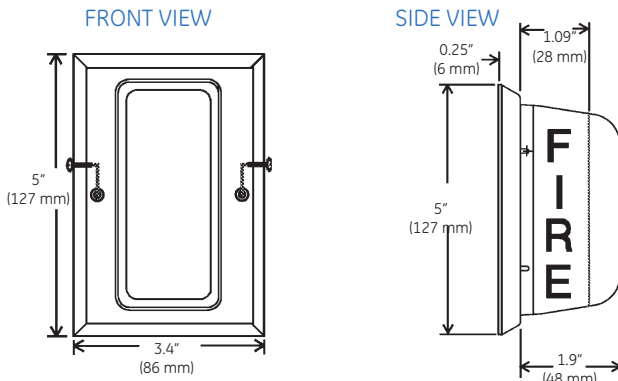
Integrity strobes are fully compatible with GE Genesis signals.

**NOTE:** The flash intensity of some visible signals may not be adequate to alert or awaken occupants in the protected area. Research indicates that the intensity of strobe needed to awaken 90% of sleeping persons is approximately 100 cd. GE Security recommends that strobes in sleeping rooms be rated at at least 110 cd.

**WARNING:** These devices will not operate without electrical power. As fires frequently cause power interruptions, further safeguards such as backup power supplies may be required.

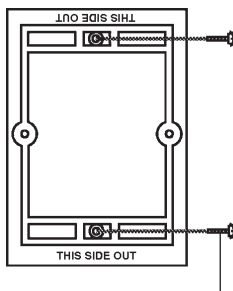
## Installation and Mounting

All models fit to a standard flush mounted, North American one-gang electrical box, two inch (51mm) deep minimum. Optional GE Security color-matched indoor surface-mount boxes are available. Strobes must be connected to signal circuits which output a constant (not pulsed) voltage. GE Security recommends that these strobes always be installed in accordance with the latest recognized edition of national and local fire alarm codes.



"FIRE" lens (wall orientation) supplied. Other lens markings are available (see ordering table).

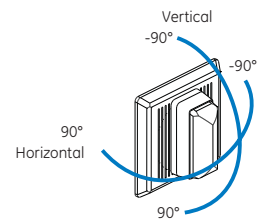
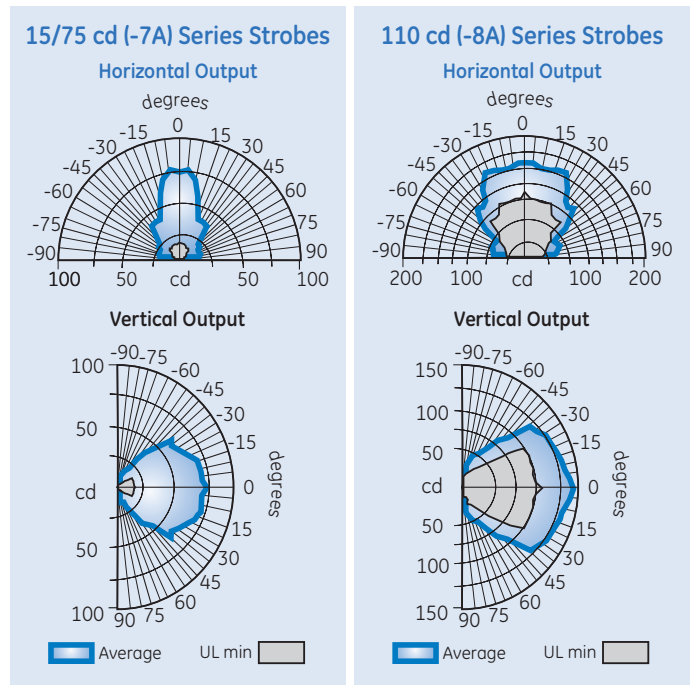
### MOUNTING PLATE



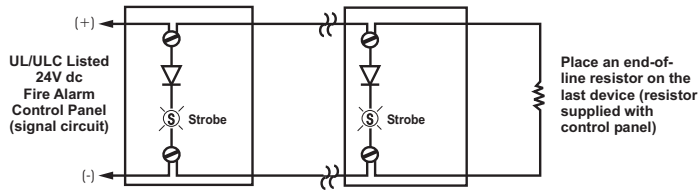
Two pan head slotted screws are provided to secure mounting plate to 1-gang electrical box.

## Light Distribution Patterns

### UL 1971 WALL MOUNTED STROBE LIGHT OUTPUT



# Typical Wiring – 24 Vdc



**CAUTION:** This unit is designed to be used on signal circuits that output a constant voltage. Do not connect this unit to a coded or pulsating voltage. Electrical supervision requires wire run to be broken at each device. Do not loop signal circuit field wires around the strobe terminals.

## Operating Current (RMS)

UL Rating	15/75 cd	110 cd
16 Vdc	150	329
16 Vfwr	210	420

Typical Current	15/75 cd	110 cd
24 Vdc	90	180
24 Vfwr	128	260

Vdc: Volts direct current, regulated and filtered

Vfwr: Volts full wave rectified

### Current Draw Notes and Comments

1. Current values are shown in mA.
2. UL Nameplate Rating can vary from Typical Current due to measurement methods and instruments used.
3. GE Security recommends using the Typical Current for system design including NAC and Power Supply loading and voltage drop calculations.
4. Use the 16 Vdc RMS current ratings for filtered power supply and battery AH calculations. Use the 16 Vfwr RMS current ratings for unfiltered power supply calculations.
5. Fuses, circuit breakers and other overcurrent protection devices are typically rated for current in RMS values. Most of these devices operate based upon the heating affect of the current flowing through the device. The RMS current determines the heating affect and therefore, the trip and hold threshold for those devices.

## Specifications

Catalog Number	202-7A	202-8A	203-8A
UL 1971 Rated Strobe Output - candela (cd)	15cd (wall or ceiling)	110cd (wall); 60cd (ceiling)	110cd (wall); 60cd (ceiling)
UL 1638/ULC S526 Rated Strobe Output	75cd	110cd	110cd
Strobe Flash Rate	Synchronized at one flash per second. External control module necessary to meet UL 1971 synchronization requirements of 10 milliseconds over a two-hour period.		Non-synchronized at one fps.
Strobe Operating Volts	16-33 Vdc/fwr (UL voltage designations "Regulated 24" and "24 fwr")		120 Vac 50/60Hz
Synchronization Sources	G1M-RM, SIGA-CC1S, SIGA-MCC1S, BPS6A, BPS10A		
Environment for Indoor Rating	93% relative humidity @ 86° F (30° C); Temperature Range 32° F to 120° F (0° C to 49° C)		
Environment for Outdoor Rating	95% relative humidity @ 90° F (32° C); Temperature Range -40° F to +150° F (-40° C to +66° C)		
Lens Markings	Supplied with LKW-1 "FIRE" red letters, vertical both sides (Wall Mount). See LKW and LKC series for ceiling style and optional markings.		
Wire Connections	Terminals - polarized input, #12 AWG (2.5mm <sup>2</sup> ) max wire size		
Flash Tube Enclosure	Clear LEXAN		
Strobe Plate, Finish	Textured color-impregnated plastic. Exceeds 94V-0 UL Flammability Rating		
Mounting	Flush - One-gang, 2-inch deep North American electrical box; Surface - 27193 series box or one-gang wiremold box.		
Agency Listings	UL 1971, UL 1638, ULC S526, CE, FM, CSFM, MEA (All models comply with ADA Code of Federal Regulation Chapter 28 Part 36 Final Rule)		

U.S.  
T 888-378-2329  
F 866-503-3996

Canada  
T 519 376 2430  
F 519 376 7258

Asia  
T 852 2907 8108  
F 852 2142 5063

Australia  
T 61 3 9259 4700  
F 61 3 9259 4799

Europe  
T 32 2 725 11 20  
F 32 2 721 86 13

Latin America  
T 305 593 4301  
F 305 593 4300

[www.gesecurity.com/est](http://www.gesecurity.com/est)

© 2007 General Electric Company  
All Rights Reserved

## Ordering Information

Catalog Number	Description	Ship Wt. lb. (kg)
202-7A-T	Strobe - 15/75 cd, Red	
202-7A-TW	Strobe - 15/75 cd, White	
202-8A-T	Strobe - 110 cd, Red	
202-8A-TW	Strobe - 110 cd, White	1 (0.45)
203-8A-T	Strobe - 110 cd, 120 Vac, Red	
203-8A-TW	Strobe - 110 cd, 120 Vac, White	
<b>Synchronization Sources</b>		
G1M-RM	Genesis Signal Master Remote Mount (1-gang)	0.2 (0.1)
SIGA-CC1S	Synchronization Output Module (Standard Mount) - UL/ULC Listed	0.5 (0.23)
SIGA-MCC1S	Synchronization Output Module (UIO Mount) - UL Listed	0.18 (0.08)
BPS6A	6.5 Amp Booster Power Supply	13 ( 5.9)
BPS10A	10 Amp Booster Power Supply	13 ( 5.9)
<b>Mounting Accessories</b>		
27193-11	Surface Mount Box - Indoor, 1-gang Red	1 (0.45)
27193-16	Surface Mount Box -Indoor, 1-gang White	
<b>Lens Markings Kits</b>		
LKW-1	"FIRE" - Wall (supplied)	
LKW-1R	"FIRE" - Wall (Red)	
LKW-2	"FEU" - Wall	
LKW-3	"FIRE/FEU" - Wall	
LKW-4	"SMOKE" - Wall	
LKW-5	"HALON" - Wall	
LKW-6	"CO2" - Wall	
LKW-7	"EMERGENCY" - Wall	
LKW-8	"ALARM" - Wall	
LKW-9	"FUEGO" - Wall	(0.2 lb, 0.1 kg)
LKC-1	"FIRE" - Ceiling	
LKC-2	"FEU" - Ceiling	
LKC-3	"FIRE/FEU" - Ceiling	
LKC-4	"SMOKE" - Ceiling	
LKC-5	"HALON" - Ceiling	
LKC-6	"CO2" - Ceiling	
LKC-7	"EMERGENCY" - Ceiling	
LKC-8	"ALARM" - Ceiling	
LKC-9	"FUEGO" - Ceiling	

