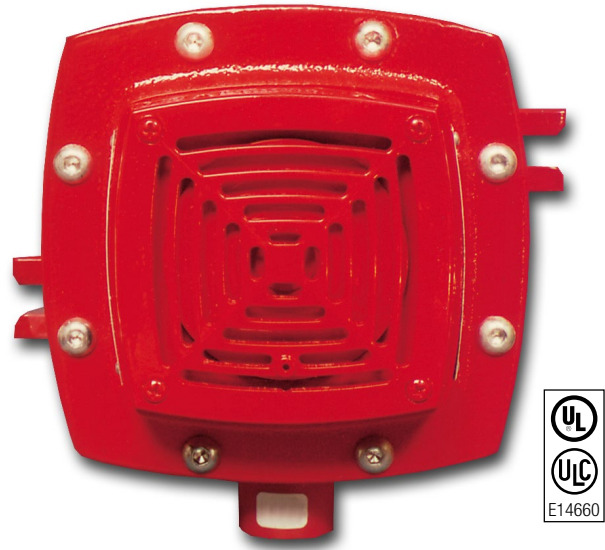


LIFE SAFETY &amp; INCIDENT MANAGEMENT

# Hazardous Location Horns

## 888D-N5 & 889D-AW



### Overview

888D and 889D hazardous location horns are diode-polarized, heavy duty, high decibel vibrating horns intended for use in life safety systems in hazardous (classified) locations. These horns may be mounted to any solid surface using two bolts (by others).

Each unit is supplied with a sealing fitting for 3/4-inch -14 National Pipe Taper (NPT) nipple, and wire leads for the electrical connection to the life safety system notification appliance circuit.

### Standard Features

- Diode polarized
- Corrosion resistant heat flowed epoxy finish – red
- Low current draw

### Application

888D and 889D hazardous location horns are UL-listed for installation in the following classified locations:

- Class I, Division 1 and 2, Groups B, C, and D
- Class II, Division 1 and 2, Groups E, F, and G
- Class III hazardous locations, for Div. 1 and 2



LIFE SAFETY & INCIDENT MANAGEMENT

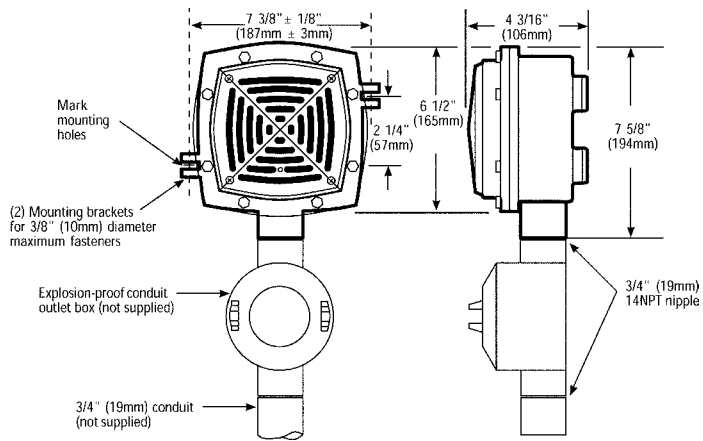
**Contact us**

Phone: 800-655-4497 (Option 4)  
 Email: [edwards.fire@carrier.com](mailto:edwards.fire@carrier.com)  
 Website: [edwardsfiresafety.com](http://edwardsfiresafety.com)

8985 Town Center Pkwy  
 Bradenton, FL 34202

© 2020 Carrier  
 All rights reserved.

## Mounting



## Specifications

Catalog Number	888D-N5	889D-AW
Rated Voltage	120 Vac	24 Vdc
Alarm Current	0.13A	0.16A
Sound output	100 dBA measured in an anechoic chamber on an "A" weighted decibel scale at 10 ft (3m)	

## Ordering Information

Catalog Number	Description	Ship Wt.
888D-N5	Hazardous location horn – 120 Vac	9.0 lb. (4.1 kg.)
889D-AW	Hazardous location – 24 Vdc	