

Intelligent Detection Devices

Manual Fire-Alarm Box

[For use with FireFinder® XLS and MXL Panels]

Model MSI-B6F

ARCHITECT AND ENGINEER SPECIFICATIONS

- Durable metal design
- Shock and vibration resistant
- Pull-down lever remains down until reset
- Custom microcomputer-chip technology
- Dynamic supervision
- For Model MSI-B6F:
 - Reset with Allen Key
 - Two-wire operation
 - Break-rod option
- Surface or semi-flush installation
- Model DPU or the FPI-32 Upgrade Kit programs and verifies the device addresses tests for functionality
- Electronic address programming is easier and more dependable



MSI-B6F

with Surface Box (MS-FB) and
Double-Action Adapter (MS-FD)



MSI-B6F

- Double-action accessory available
- **UL Listed;**
FM, CSFM & NYC Fire Dept. Approved

Product Overview

The Siemens – Fire Safety Manual Fire-Alarm Box (Model MSI-B6F), which operates with the FireFinder XLS and MXL fire-alarm control panels (FACPs), provides the most advanced method of address programming and supervision currently available to the fire industry.

Model MSI-B6F is the essence of an 'intelligent initiating device' through the built-in, microcomputer-chip technology of each box; as well as Model MSI-B6F's sophisticated, bi-directional communication capabilities with the FireFinder XLS and the MXL FACPs. The manual fire-alarm box's microcomputer chip has the capacity of storing – in memory – identification and operating-status data.

Specifications

Models MSI-B6F has all-metal-material construction, which is matte finished in red with raised white lettering. The housing accommodates a 'pull-down' a lever which – when operated – locks in position,

indicating the manual fire-alarm box has been activated.

The pull-down lever remains down and locked, until each intelligent manual fire-alarm box is reset, via first opening the hinged housing cover with an Allen Key, followed by closing and locking the cover.

Siemens – Fire Safety's innovative technology also allows all Model MSI-series Intelligent Manual Fire-Alarm Boxes to be programmed via the Model DPU Programmer / Tester. The Model DPU Programmer / Tester is a compact, portable and menu-driven accessory that makes programming and testing a manual fire-alarm box more efficient, reliable and quicker than previous methods.

Model DPU eliminates the need for the device's mechanical addressing mechanisms (such as: program jumpers, dip switches or rotary dials) because Model DPU electronically sets the pull station's microcomputer chip's non-volatile memory.

Fire Alarm Box, MSI-B6F **6188**

Specifications

Vibration, corrosion and other conditions, which can deteriorate mechanical-addressing mechanisms, are no longer a cause for concern because each Model MSI-B6F box is fitted with screw terminals for connection to an addressable circuit. Model MSI-B6F can be either surface or semi-flush mounted.

Overall, the Model MSI-series manual fire-alarm boxes derive their power, communicate information and receive commands over a single pair of wires.

Every MSI-B6F box is compatible on the same circuit with all Model IL; Model ID-60-series ionization, photoelectric or thermal detectors; Model MSX or MSI-series addressable manual fire-

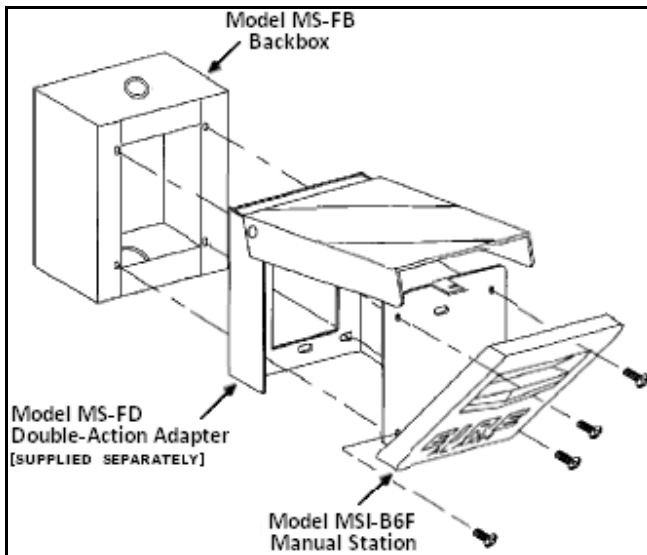
alarm boxes; Model TRX or TRI-series addressable interface modules, or Model CZM-series addressable, conventional-zone modules.

Model MSI-B6F is ®Underwriters Laboratories, Inc. Listed.

Actual job conditions and sound engineering judgment must determine when to use this product. Be sure to consider environmental factors, including ambient-temperature fluctuation and the nature of the fire hazard.

Should questions arise regarding usage, follow the drawings provided and / or approved by Siemens Industry, Inc. – Fire Safety, or by its authorized distributors.

Mounting Diagram



Details for Ordering

Model Number	Part Number	Description
MSI-B6F	500-895301	Single-Action Addressable Manual Fire-Alarm Box
MS-FB	500-694512	Surface Mounting Box for Model MSI-B6F
MS-FD	500-694515	Double-Action Adapter
MS-FR	500-694513FA	Break-Glass Rods, [pkg. of 10]
MS-FK	500-694514FA	Allen-Head Reset Keys, [pkg. of 10]
MS-NY	500-694516	New York City White-Stripe Wall Plate

Notice: This marketing data sheet is not intended to be used for system design or installation purposes. For the most up-to-date information, refer to each product's installation instructions.

SIEMENS Industry, Inc.
Building Technologies Division

Fire Safety
8 Fernwood Road
Florham Park, NJ 07932
Tel: (973) 593-2600
FAX: (908) 547-6877
URL: www.usa.Siemens.com/Fire

(SII-FS)
Printed in U.S.A.

Fire Safety
2 Kenview Boulevard
Brampton, Ontario
L6T 5E4 / Canada
Tel: (905) 799-9937
FAX: (905) 799-9858

July 2012
Supersedes sheet dated 5/06
(Rev. 1)