

'08 Series Notification Appliances

MTH – Multi-tone Horn & Horn / Strobe Appliances

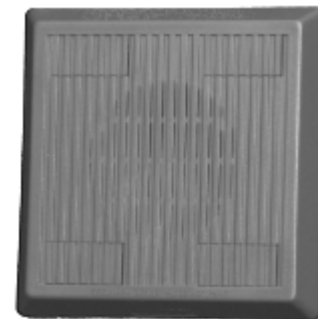
Application: Indoor / Outdoor



MTH-MC-W



MTH-15-115-R-WP



MTH-R

Product Overview

- Series MTH appliances have In / Out wiring terminations that accept (2) two #12 to #18 American Wire Gauge (AWG) wires at each terminal
 - Inputs are polarized for compatibility with standard reverse polarity-type supervision
- Strobes can be synchronized using the Siemens DSC sync modules, FS-250 panel, XLS panel, MXL panel, or PAD-3 power supply with built-in sync protocol
- MTH Strobe models are available with Siemens MC multi-Candela strobes with field-selectable Candela settings at: 15/30/75/110cd
- One alarm appliance with (8) eight selective signals to provide superior sound penetration for various ambient and wall conditions with two field-selectable, sound-output levels
- Audible and strobe can operate from a single NAC circuit or from separate NAC circuits with any of the (8) eight audible sounds
- No additional trim plate required for flush mounting
- Code-3 Horn and Tone meet ANSI / NFPA temporal pattern for standard, emergency-evacuation signaling
- UL Listed & ULC Listed;
FM, CSFM & NYMEA Approved
- Complies with OSHA 29, Part 1910.165

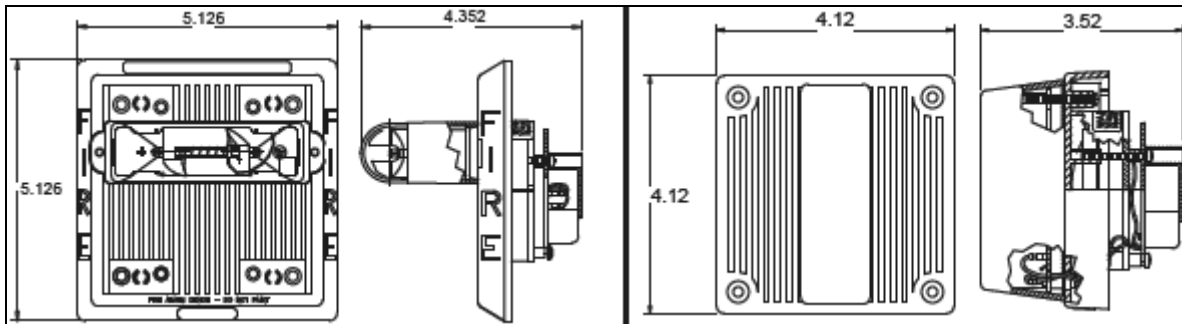
Specifications

- Notification appliances shall be a Siemens Series MTH audible / visual appliance or equivalent
- Notification appliance shall be electronic and use solid state components
 - Electromechanical alternatives are not approved
- Each electronic appliance shall provide (8) eight field selectable alarm tones, consisting of:
 - Horn, Bell, March Time Horn, Code-3 Horn, Code-3 Tone, Slow Whoop, Siren and HI / LO
- Tone selection shall be by durable dip switch assembly and not clips or jumpers
- Multi-tone Audible appliance shall be UL Listed under Standard 464 for Audible Signal Appliances
- The audible and the strobe shall be able to operate from a single NAC circuit while producing any of these tones
- The appliance shall provide two output sound levels: Standard and High dBA Anechoic
- The HIGH dBA Anechoic setting shall provide a minimum 5 dBA Anechoic increase in sound output at nominal voltage
- HIGH anechoic dBA measurement at 10 feet at the alarm horn setting shall be 99 dBA minimum

Specifications – (continued)

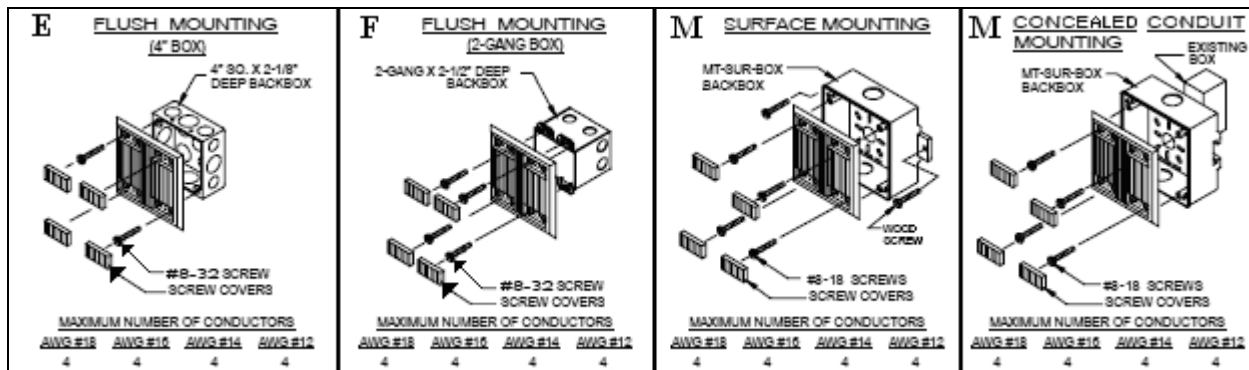
- All models shall have provisions for standard reverse polarity-type supervision and In / Out field wiring using terminals that accept #12 to #18 AWG wiring
- Combination audible/visual appliances shall incorporate a Xenon flashtube enclosed in a rugged Lexan® lens or equivalent with solid state circuitry
- Strobe portion of the appliance shall produce a flash rate of 1 flash per second over the Regulated Input Voltage Range
- The MTH strobe intensity shall be rated per ®UL Listed and under Standard 1971 for Signaling Devices for the Hearing Impaired for field selectable 15/30/75/110 candela settings
- Strobe models shall incorporate circuitry for synchronized strobe flash, and shall be designed for compatibility with the Siemens DSC sync modules, FS-250 panel, XLS panel, or PAD-3 power supply with built-in sync protocol
- The strobes shall not drift out of synchronization at any time during operation
- The strobes shall revert to a non-synchronized flash-rate, if the sync module or Power Supply should fail to operate (i.e. – contacts remain closed)
- Strobe activation shall be via independent input or from the same input circuit as the audible
- Combination of audible / visual appliances shall be installed indoors, and may be surface or flush mounted
- Combination of audible / visual appliances shall mount to standard electrical hardware requiring no additional trim plate or adapter
- Aesthetic appearance shall not have any mounting holes or screw heads visible when the installation is completed
- Appliance shall be finished in a textured red color
- All notification appliances shall listed for Special Applications:
 - Strobes are designed to flash at 1-flash-per-second minimum over their “Regulated Input Voltage Range”
- **Note:** NFPA-72 specifies a flash rate of 1 to 2 flashes per second, and ADA Guidelines specify a flash rate of 1-to-3 flashes per second
 - All candela ratings represent minimum-effective Strobe intensity, based on ®UL Standard 1971

Mounting Diagram

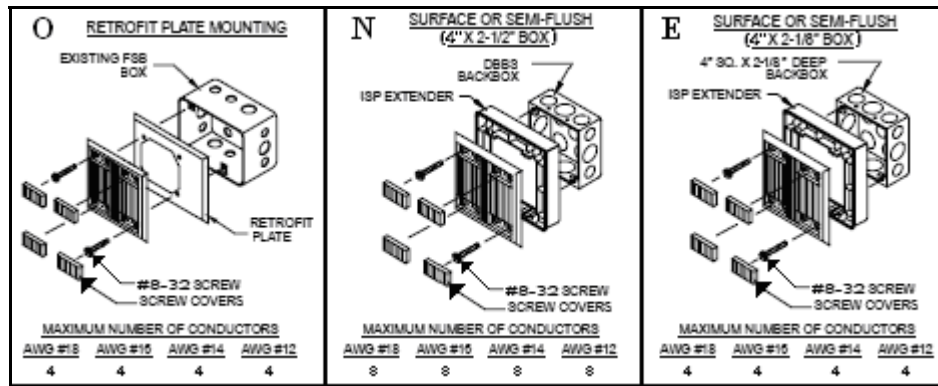


(Shown In Inches)

Mounting Options



Mounting Options – (cont.'d)



Technical Data

| Models | UL Listed Models and Ranges | | | ULC Listed Models and Ranges | | |
|---------|---|---------------------------------------|---------------------|--|---|---------------------|
| | Operating Voltage (Special Application) [Per UL 464] (VDC/VRMS) | Reverberant dBA [Per UL 464 @ 10 Ft.] | Strobe Candela (cd) | Voltage Range [Per ULC-S525-99] (VDC/VRMS) | Anechoic dBA [Per ULC-S525-99 @ 10 Ft.] | Strobe Candela (cd) |
| MTH* | 16.0-33.0 | 76-94 | N/A | 20.0-31.0 | 85-100 | N/A |
| MTH-MC* | 16.0-33.0 | 76-94 | 15/30/75/110 | 20.0-31.0 | 85-100 | 15/30/75/110 |

*Available in red and white

| UL Current Ratings for Multitone Audible Appliances | | | | | | |
|---|--|-------------------|-------|-----------------------|-------|--|
| Tone | Description | Maximum RMS 24VDC | | Current (AMPS) 24VRMS | | |
| | | HI | STD | HI | STD | |
| Horn | Broadband Horn (Continuous) | 0.108 | 0.044 | 0.087 | 0.045 | |
| Bell | 1560 Hz Modulated (0.07 Sec. ON/Repeat) | 0.053 | 0.024 | 0.051 | 0.028 | |
| March Time Horn | Horn (0.25 Sec. ON/0.25 Sec. OFF/Repeat) | 0.104 | 0.087 | 0.087 | 0.045 | |
| Code 3 Horn | Horn (ANSI S3.41 Temporal Pattern) | 0.091 | 0.035 | 0.087 | 0.045 | |
| Code 3 Tone | 500 Hz (ANSI S3.41 Temporal Pattern) | 0.075 | 0.035 | 0.056 | 0.029 | |
| Slow Whoop | 500-1200Hz Sweep (4.0 Sec. ON/0.5 Sec. OFF/Repeat) | 0.098 | 0.037 | 0.092 | 0.042 | |
| Siren | 600-1200Hz Sweep (1.0 Sec. ON/Repeat) | 0.104 | 0.036 | 0.092 | 0.040 | |
| HI/LO | 1000/800 Hz (0.25 Sec. ON/Alternate) | 0.057 | 0.025 | 0.058 | 0.032 | |

| ULC Average Current Ratings for Audible Appliances | | | | |
|--|--------------|--------------|-------|-------|
| Tone | HI/LO Volume | 24VDC Models | | |
| | | 20VDC | 24VDC | 31VDC |
| Horn | HI | 0.036 | 0.040 | 0.050 |
| | STD | 0.021 | 0.023 | 0.029 |
| Bell | HI | 0.013 | 0.014 | 0.018 |
| | STD | 0.011 | 0.012 | 0.015 |
| March Time | HI | 0.036 | 0.040 | 0.050 |
| | STD | 0.021 | 0.023 | 0.029 |
| Code 3 Horn | HI | 0.036 | 0.040 | 0.050 |
| | STD | 0.021 | 0.023 | 0.029 |
| Code 3 Tone | HI | 0.025 | 0.028 | 0.035 |
| | STD | 0.015 | 0.017 | 0.021 |
| Slow Whoop | HI | 0.043 | 0.048 | 0.060 |
| | STD | 0.023 | 0.026 | 0.033 |
| Siren | HI | 0.032 | 0.036 | 0.045 |
| | STD | 0.021 | 0.023 | 0.029 |
| HI/LO | HI | 0.018 | 0.020 | 0.025 |
| | STD | 0.013 | 0.014 | 0.018 |

- Notes:**
1. Strobe will produce 1 flash per second over the Input Voltage range.
 2. This strobe / horn model meets the required light distribution patterns defined in UL 1971
 3. This model is UL Listed for indoor use with a temperature range of +32°F to +120°F (0°C to +49°C) and maximum humidity of 93% + 2% RH. The effect of shipping and storage temperatures shall not adversely affect the performance of the appliance when it is stored in the original cartons and not subjected to misuse or abuse.
 4. All models are UL / ULC Listed for indoor use with a temperature range of +32°F to +120°F (0°C to +49°C) and maximum humidity of 93%.
 5. These notification appliances are UL Listed as "Special Application". They are intended to be used only with Siemens notification appliance circuits.

Technical Data – (continued)

| Tone | HI/LO Volume | dBA Ratings | | | | | |
|-------------|--------------|---|-----|-----|---|-----|-----|
| | | dBA Reverberant Ratings Per © UL 464 [24VDC Models] | | | dBA Anechoic Ratings Per © ULC S525-99 [24VDC Models] | | |
| | | 16V | 24V | 33V | 20V | 24V | 31V |
| Horn | HI | 89 | 92 | 94 | 97 | 99 | 100 |
| | STD | 84 | 87 | 90 | 91 | 93 | 94 |
| Bell | HI | 83 | 86 | 88 | 90 | 92 | 93 |
| | STD | 76 | 80 | 83 | 85 | 87 | 88 |
| March Time | HI | 86 | 89 | 91 | 97 | 99 | 100 |
| | STD | 80 | 84 | 87 | 91 | 93 | 94 |
| Code 3 Horn | HI | 85 | 88 | 90 | 97 | 99 | 100 |
| | STD | 79 | 83 | 86 | 91 | 93 | 94 |
| Code 3 Tone | HI | 81 | 85 | 86 | 93 | 95 | 96 |
| | STD | 76 | 80 | 82 | 88 | 90 | 91 |
| Slow Whoop | HI | 87 | 90 | 92 | 97 | 99 | 100 |
| | STD | 81 | 85 | 87 | 92 | 94 | 95 |
| Siren | HI | 86 | 89 | 92 | 96 | 98 | 99 |
| | STD | 81 | 84 | 87 | 91 | 93 | 94 |
| HI/LO | HI | 83 | 86 | 89 | 91 | 93 | 94 |
| | STD | 77 | 81 | 84 | 86 | 88 | 89 |

| Input Voltage and dBA Sound Output Level Settings | |
|---|---|
| Input Voltage and Decibel Level | DP1 and SW1 Settings |
| 24 VDC/HIGH | Set DP1 on 24; set SW1 POS 1 on 1 (Factory Setting) |
| 24 VDC /STD | Set DP1 on 24; set SW1 POS 1 on 0 |

| Current Ratings for MTH-MC (Strobe only) Maximum RMS Current (AMPS) | | | | | | | |
|--|-----------|--------------|---------------|-------|-------|-------|-----|
| | | Settings | | | | | |
| | | © UL Voltage | © ULC Voltage | 15 | 30 | 75 | 110 |
| DC | 16-33VDC | 20-31VDC | 0.064 | 0.098 | 0.175 | 0.233 | |
| FWR | 16-33VRMS | 20-31VRMS | 0.108 | 0.164 | 0.268 | 0.368 | |

| | | | © ULC Directional Characteristics | | | |
|--------|-------|--|-----------------------------------|--|--|--|
| | | | Horizontal | | Vertical | |
| MTH-MC | 24VDC | -3dBA: 30 degrees left 40 degrees right | | | -3dBA: 20 degrees upward 80 degrees downward | |
| | | -6dBA: 50 degrees left 70 degrees right | | | -6dBA: 40 degrees upward 90+ degrees downward | |

| Alarm Tones | | | | |
|-----------------|---|---------------------|-------|-------|
| Tone | Pattern Description | SW1 Switch Settings | | |
| | | POS 2 | POS 3 | POS 4 |
| Horn | Broadband Horn (Continuous) | 1 | 1 | 1 |
| Bell | 1560 Hz Modulated (0.07 Sec. ON/Repeat) | 1 | 0 | 1 |
| March Time Horn | Horn (0.25 Sec. ON/0.25 Sec. OFF/Repeat) | 0 | 0 | 1 |
| Code 3 Horn | Horn (ANSI S3.41 Temporal Pattern) | 1 | 1 | 0 |
| Code 3 Tone | 500 Hz (ANSI S3.41 Temporal Pattern) | 0 | 1 | 1 |
| Slow Whoop | 500-1200 Hz Sweep (4.0 Sec. ON/0.5 Sec. OFF/Repeat) | 0 | 1 | 0 |
| Siren | 600-1200 Hz Sweep (1.0 Sec. ON/Repeat) | 1 | 0 | 0 |
| HI/LO | 1000/800 Hz (0.25 Sec. ON/Alternate) | 0 | 0 | 0 |

Details for Ordering – (Including Mounting Options & Agency Approvals)

Agency Approvals

| Model Number | Part Number | Description | Mounting Options* | UL | ULC | FM | CSFM |
|-----------------|-------------|--|---|----|-----|----|------|
| MTH-R | 500-636076 | MTH Horn: Red | D,E,F,L,M,O,P,R | X | X | X | X |
| MTH-W | 500-636077 | MTH Horn: White | D,E,F,L,M,O,P,R | X | X | X | X |
| MTH-MC-R | 500-636078 | MTH Horn: Multi-Candela, Red | D,E,F,L,M,O,P,R | X | X | X | X |
| MTH-MC-R-AR | 500-650226 | MTH Horn: Multi-Candela (Agent Release), Red | D,E,F,L,M,O,P,R | X | X | X | X |
| MTH-MC-W | 500-636079 | MTH Horn: Multi-Candela, White | D,E,F,L,M,O,P,R | X | X | X | X |
| MTH-75-R-WP | 500-636082 | MTH Horn: 180CD, White | M | X | X | X | X |
| MTH-15-115-R-WP | 500-636080 | MTH Horn: 15CD / 115V, Red | D,E,J,K,N,O,R | X | X | X | X |
| MTH-HMC-CR-WP | 500-636185 | MTH Horn: Hi Multi-Candela Ceiling Weatherproof, Red | MT-SUR-BOX, MT-SUR-BOX + WPS-KIT, WFPS | X | X | X | X |
| MTH-HMC-CW-WP | 500-636186 | MTH Horn: Hi Multi-Candela Ceiling Weatherproof, White | MT-SUR-BOX, MT-SUR-BOX + WPS-KIT, WFPS | X | X | X | X |
| MTH-HMC-R-WP | 500-636187 | MTH Horn: Hi Multi-Candela Weatherproof, Red | MT-SUR-BOX, MT-SUR-BOX + WPS-KIT, WFPS | X | X | X | X |
| MTH-HMC-W-WP | 500-636188 | MTH Horn: Hi Multi-Candela Weatherproof, White | MT-SUR-BOX, MT-SUR-BOX + WPS-KIT, WFPS | X | X | X | X |

X = listed / approved

* = Refer to catalog sheet #: 2585 for detailed mounting options

Notice: This marketing catalog sheet is not intended to be used for system design or installation purposes. For the most up-to-date information, refer to each product's installation instructions.