

## 12/24VDC, Low Current Mini-Horn, Temporal (GX93) or Continuous (GX91) Tone with Terminal Blocks

### G X 9 1 & G X 9 3 S E R I E S

#### Applications

The GX91/GX93 Series mini-horn is a high quality remote signaling appliance that offers dependable remote annunciation. The GX91/GX93 is listed for use with both filtered and unfiltered power.

The GX91 is a continuous tone mini horn. This unit is **not** synchable with the AVS Series Control Module. It is however synchable from the panel. With the GX93 a jumper is provided to select either the continuous tone or the temporal 3 evacuation tone.

The GX93 can be used on the same sync circuit (AVS Series Control Module) as other Gentex signals. The GX91/GX93 appliances are UL 464 listed for use with fire protective systems and are warranted for three years from the date of purchase.

#### Standard Features

- Single Unit is capable of 12 or 24 VDC determined by the input voltage
- Unit Dimensions: 4.48" High x 2.84" Wide x 0.5" Deep
- Jumper Selectable Temporal 3 or Continuous Tone on the GX93.
- GX91 has a Continuous Tone horn only
- Horn Frequency is 3100Hz
- Terminal Blocks (12 AWG to 18 AWG)
- Low Current Consumption
- Variety of Mounting Options for New Construction and Retrofit Applications
- To Synchronize the GX93 use the Gentex AVS Series Control Module (see Technical Bulletin 015)
- UL 464 Listed for Fire Protective Service
- Textured Finish High Impact Plastic Faceplate, Available in Fire Alarm Red or Off-White

#### Available Models

Model Number	Part Number
GX91-R	904-1274-002
GX91-W	904-1275-002
GX91-PR	904-1265-002
GX91-PW	904-1266-002
GX93-R	904-1276-002
GX93-W	904-1277-002
GX93-PR	904-1267-002
GX93-PW	904-1268-002

**Notes:** The sound output for the temporal 3 tone is rated lower since the time the horn is off is averaged into the sound output rating. While the horn is producing a tone in the temporal 3 mode its sound pressure is the same as the continuous mode.

#### Model Designations

"R" = Red faceplate  
"W" = Off-White faceplate  
"P" = Plain

Operating temperature - Indoor Use Only  
Indoor: 32° to 120°F (0° to 49°C)



#### Product Listings



This symbol on the product's nameplate means it is Listed by UNDERWRITERS LABORATORIES, INC.

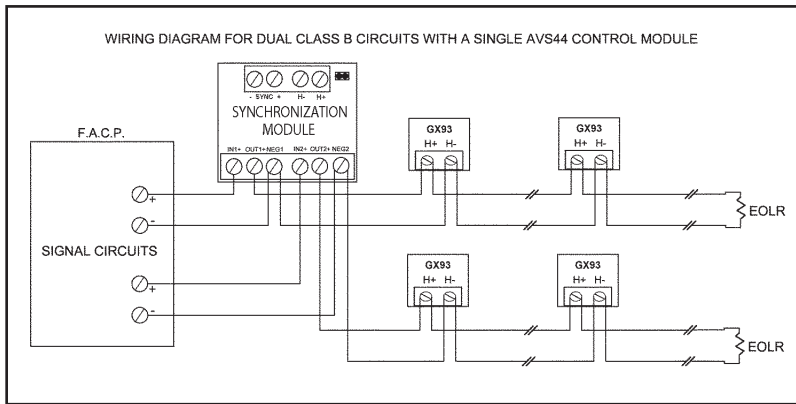
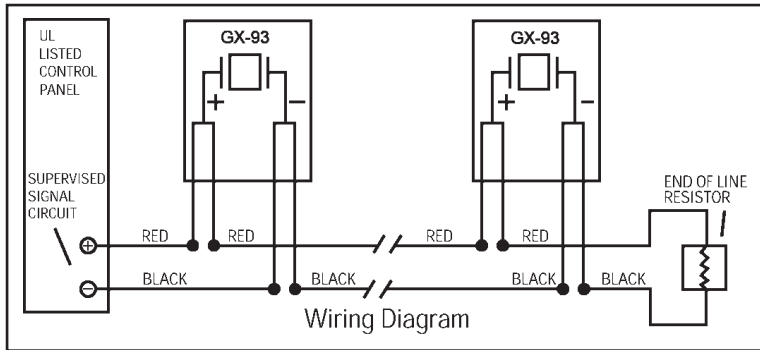
- BFP (City of Chicago)
- BS+A/MEA #285-91-E-XVI
- CSFM Listing 7135-0569:126
- UL 464 Listed
- CAN/ULC S524-01/S525-99 Listed
- ULSZ7.S3406



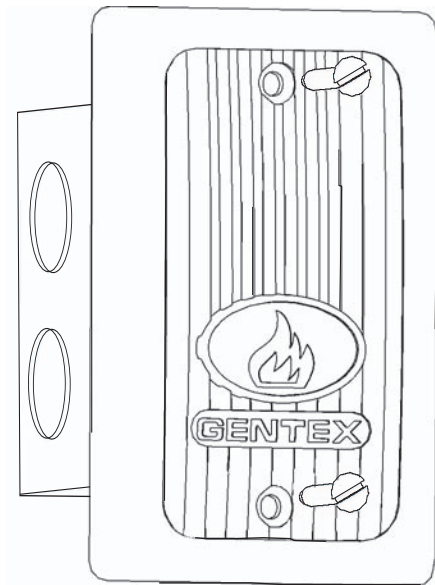
GX91/GX93 Current Ratings			Horn Mode	Minimum dBA @ 10 Ft. Per UL464 @ 24V	Minimum dBA @ 10 Ft. Per UL464 @ 12V	Reverberant dBA @ 10ft. Per UL 464	In Anechoic Room dBA @ 10ft.
Product	GX91	GX93					
24 VDC	15mA	22mA					
24 VDC UL Max <sup>1</sup>	11mA	18mA	Temporal 3	81	78	78-86	90
12 VDC UL Max <sup>1</sup>	7mA	13mA	Continuous	86	83	78-86	90

<sup>1</sup> RMS current ratings are per UL average RMS method. UL max current rating is the maximum RMS current within the listed voltage range (16-33VDC for 24VDC units) (8-17VDC for 12VDC units). For strobes the UL max current is usually at the minimum listed voltage (16VDC for 24VDC units) (8VDC for 12VDC units). For audibles the max current is usually at the maximum listed voltage. For unfiltered FWR ratings, see installation manual.

# G X 9 1 & G X 9 3 S E R I E S



## Mounting



## Architect & Engineering Specifications

The alarm horns shall be Gentex Model GX91/GX93. The appliance shall be listed with Underwriters Laboratories for use with Fire Protective Signaling Systems and produce a peak sound output of 90dBA or greater as measured in an anechoic chamber. The appliance shall be of solid-state construction and be polarized to operate from 8-33VDC with a 15 mA current drain on the GX91 and a 22mA current drain on the GX93 at 24VDC. The appliance shall be provided with 2 terminals, and mount to a variety of single-gang back boxes.

24 units per carton  
6 pounds per carton

**GENTEX**  
CORPORATION

Fire Protection Products: [www.gentex.com](http://www.gentex.com)  
10985 Chicago Drive Box 310 • Zeeland, Michigan 49464  
616.392.7195 • 1.800.436.8391 • 616.392.4219 Fax

Gentex corporation reserves the right to make changes to the product data sheets at their discretion.

### Important Notice:

These materials have been prepared by Gentex Corporation ("Gentex") for informational purposes only, are necessarily summary, and are not purported to serve as legal advice and should not be used as such. Gentex makes no representations and warranties, express or implied, that these materials are complete and accurate, up-to-date, or in compliance with all relevant local, state and federal laws, regulations and rules. The materials do not address all legal considerations as there is inevitable uncertainty regarding interpretation of laws, regulations and rules and the application of such laws, regulations and rules to particular fact patterns. Each person's activities can differently affect the obligations that exist under applicable laws, regulations or rules. Therefore, these materials should be used only for informational purposes and should not be used as a substitute for seeking professional legal advice. Gentex will not be responsible for any action or failure to act in reliance upon the information contained in this material.

551-0032-02

Printed on Recycled Paper