



Product includes a 5 year warranty

Features

- Nominal voltage 24VDC
- Tamperproof field selectable candela options of 15, 30, 75, 95 & 115
- Lens colors available: amber, blue, green and red
- Super-Slide® - Ease of Supervision Testing
- Checkmate® - Instant Voltage Verification
- Synchronize strobe and/or horn using the Potter AVSM Control Module
- Prewire entire system, install mounting bracket, then install signals
- Input terminals accept 12 to 18 AWG
- Switch selection for high or low dBA
- Switch selection for 2400Hz or mechanical tone
- Switch selection for continuous or temporal 3 tone
- Tamperproof re-entrant style grill
- Surface mount with the CLNGBB (Ceiling Surface Mount Back Box).
- Silence audible while visual appliance will remain flashing (for use in accepted jurisdictions)
- Faceplate available in red or off-white

Operating Temperature:

- 32°F to 120°F (0°C to 49°C). The CCS/CCHS Series is not listed for outdoor use.

Unit Dimensions

- 6" (15.24 cm) x 2.6" (6.604 cm)

Description

The Potter CCS/CCHS Colored Lens Series are ceiling mount strobe or horn/strobe combinations that offer dependable audible and visual alarms for warning and emergency notification. Applications include emergency communication, severe weather, emergency response, and many more.

The Colored Lens Series are 24VDC appliances available in lens colors of amber, blue, green and red. The series offers tamperproof field selectable candela options of 15, 30, 75, 95 and 115 candela.

The CCS/CCHS Colored Lens Series has a minimal operating current and has a minimum flash rate of 1Hz within the listed voltage range.

The CCS/CCHS Colored Lens Series is shipped with a die cast 4" mounting plate which incorporates the popular Super-Slide® feature that allows the installer to easily test for supervision. The product also features a locking mechanism that secures the product to the bracket without showing any screws.

The Colored Lens Series also features the patented Checkmate®- Instant Voltage Verification Feature which allows the installer to check the voltage without removing the signal.

The Colored Lens Series appliances are ANSI/UL 1638 and ANSI/UL 464 listed and is warranted for five years from the date of purchase.

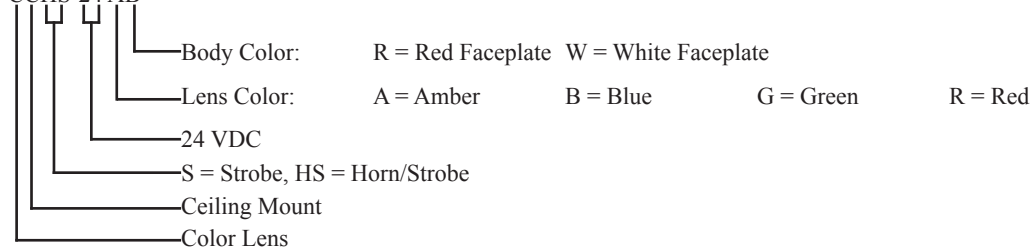
CCS Colored Lens, Selectable Candela

Model Number	Part Number	Lens Color	Nominal Voltage	Candela (ANSI/UL 1638)
CCS-24AR	4890108	Amber	24 VDC	15, 30, 75, 95, 115
CCS-24AW	4890109	Amber	24 VDC	15, 30, 75, 95, 115
CCS-24BR	4890110	Blue	24 VDC	15, 30, 75, 95, 115
CCS-24BW	4890111	Blue	24 VDC	15, 30, 75, 95, 115
CCS-24GR	4890112	Green	24 VDC	15, 30, 75, 95, 115
CCS-24GW	4890113	Green	24 VDC	15, 30, 75, 95, 115
CCS-24RR	4890114	Red	24 VDC	15, 30, 75, 95, 115
CCS-24RW	4890115	Red	24 VDC	15, 30, 75, 95, 115

CCHS Colored Lens, Selectable Candela Horn/Strobe

Model Number	Part Number	Lens Color	Nominal Voltage	Candela (ANSI/UL 1638)	Reverberant dBA at 10ft. per ANSI/UL 464	In Anechoic Room dBA at 10ft.
CCHS-24AR	4890128	Amber	24 VDC	15, 30, 75, 95, 115	81-86	90
CCHS-24AW	4890129	Amber	24 VDC	15, 30, 75, 95, 115	81-86	90
CCHS-24BR	4890130	Blue	24 VDC	15, 30, 75, 95, 115	81-86	90
CCHS-24BW	4890131	Blue	24 VDC	15, 30, 75, 95, 115	81-86	90
CCHS-24GR	4890132	Green	24 VDC	15, 30, 75, 95, 115	81-86	90
CCHS-24GW	4890133	Green	24 VDC	15, 30, 75, 95, 115	81-86	90
CCHS-24RR	4890134	Red	24 VDC	15, 30, 75, 95, 115	81-86	90
CCHS-24RW	4890135	Red	24 VDC	15, 30, 75, 95, 115	81-86	90

CCHS-24 AB



Architect & Engineering Specifications

The visible and audible/visible signal shall be colored lens series or approved equal and shall be listed by Underwriters Laboratories Inc. per ANSI/UL 464 and ANSI/UL 1638. The notification appliance shall also be listed with the California State Fire Marshal (CSFM).

The notification appliance (combination audible/visible units only) shall produce a peak sound output of 90dBA or greater as measured in an anechoic chamber. The signaling appliance shall also have the capability to silence the audible signal while leaving the visible signal energized with the use of a single pair of power wires. Additionally, the user shall be able to select either continuous or temporal tone output with the temporal signal having the ability to be synchronized.

The visible signaling appliance shall also maintain a minimum flash rate of 1Hz or up to 2Hz regardless of power input voltage. The appliance shall have an operating current of 124mA or less at 24VDC for the 15Cd in amber, blue, green or red colors.

The appliance shall be polarized to allow for electrical supervision of the system wiring. The unit shall be provided with terminals with barriers for input/output wiring and be able to mount to a single gang or double gang box or double workbox with the use of an adapter plate. The unit shall have an input voltage range of 16-33 volts with either direct current or full wave rectified power.

The appliance shall be capable of testing supervision without disconnecting wires, verify voltage without removing unit and be capable of mounting to a surface back box.

CC Amber, Blue, and Green Lens Strobe Current Ratings	
Candela	UL Max ¹
15	124 mA
30	124 mA
75	139 mA
95	205 mA
115	212 mA

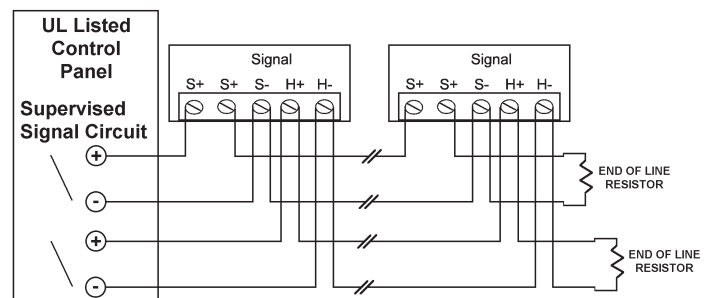
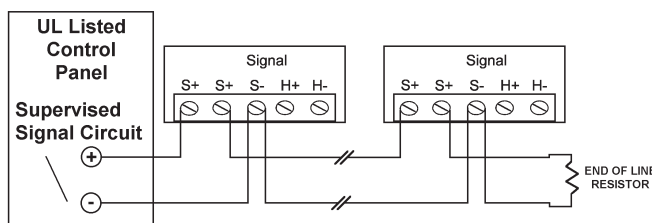
CC Red Lens Strobe Current Ratings	
Candela	UL Max ¹
15	124 mA
30	124 mA
75	212 mA
95	283 mA
115	313 mA

Horn Mode	Horn Decibel Levels		Horn Current Ratings Regulated 24 VDC Max. Operating @ High Setting (mA)
	Minimum SPL at 10 feet per ANSI/UL 464 (HIGH)	Minimum SPL at 10 feet per ANSI/UL 464 (LOW)	
Temp 3 2400 Hz	83 dBA	75 dBA	23 mA
Temp 3 Mechanical	81 dBA	73* dBA	22 mA
Continuous 2400Hz	86 dBA	78 dBA	23 mA
Continuous Mechanical	84 dBA	76 dBA	22 mA

NOTES:

- The CCS/CCHS Colored Lens Series is not listed for outdoor use.
- Potter does recommend using a coded signaling circuit with any of their strobe products.
- The sound output for the temporal 3 tone is rated lower since the time the horn is off is averaged into the sound output rating. While the horn is producing a tone in the temporal 3 mode, its sound pressure is the same as the continuous mode.
- Operating the horn in this mode at this voltage will result **in not** meeting the minimum ANSI/UL 464 reverberant sound level required for public mode fire protection service. These settings are acceptable only for private mode fire alarm use. Use the high dBA setting for public mode application (not applicable when using the chime tone. The chime tone is always private mode).

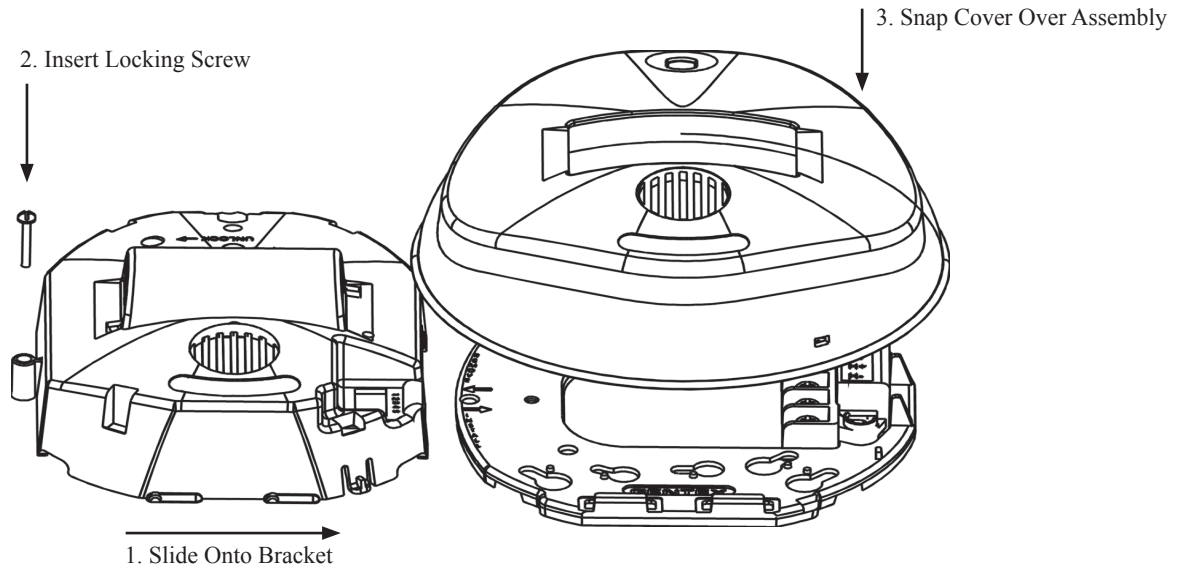
Conventional CS Series Wiring Diagrams



NOTES:

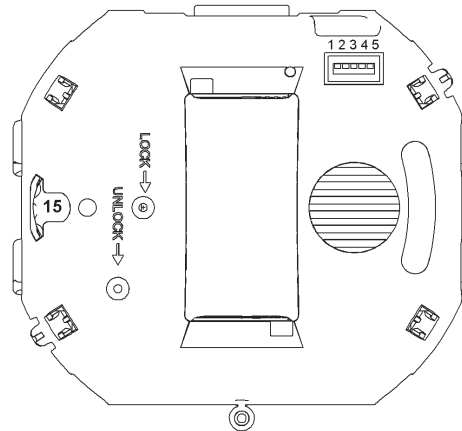
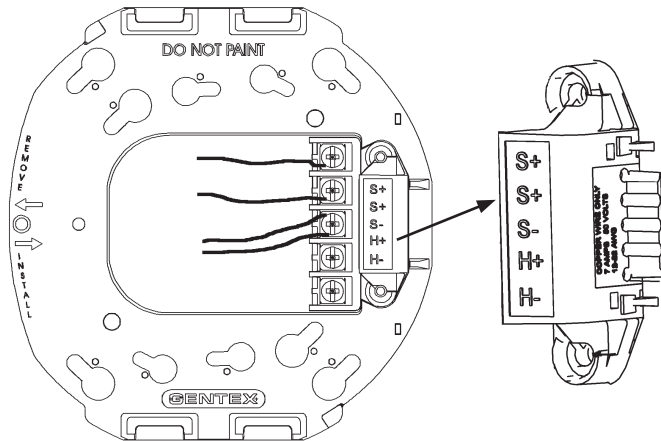
- All strobes are designed to flash as specified with continuous applied voltage. Strobes should not be used on coded or pulsing signaling circuits. However, use of the AVSM control module or Gentex synchronization protocol is permitted to synchronize the strobe, horn, and/or mute the horn.
- **FOR SYNCHRONIZATION WIRING INFORMATION, REFERENCE AVSM CONTROL MODULE DATA SHEET (8830050) AND/OR AVSM CONTROL MODULE MANUAL FOR SYNCHRONIZATION MODULE WIRING DIAGRAMS. AVSM CONTROL MODULE DATA SHEET AND MANUAL CAN BE OBTAINED AT <http://www.pottersignal.com> OR CALL POTTER ELECTRIC AT 1-800-325-3936.**

Mounting



Checkmate® Instant Voltage Verification

Switch Locations



The access holes are provided in the back of the terminal block to allow the voltage to be measured directly without removing the device. Typically this would be done at the end of the line to confirm design criteria. Most measurements will be taken using the S+ and S- locations although access is provided to other locations.

Switch positions 1 and 2 in the down position to select isolated horn and strobe power inputs. Switch 3 selects between temporal or non-temporal tone. Up is temporal. Switch 4 selects between mechanical or high frequency tone. Up is mechanical. Switch 5 selects between high or low dBA. Up is high dBA.

NOTICE: CARE SHOULD BE TAKEN TO NOT SHORT THE TEST PROBES.