



Gentex HG/SHG Series 4" Electronic Horns & Horn/Strobes

Section: Audio/Visual Devices

APPLICATIONS

The Gentex HG/SHG Series are 4" (10.16 cm) low-frequency electronic horns and horn/strobes. These quality electronic signaling devices offer both dependable evacuation signals and visual alarms or a combination of both by simple terminal wiring. The SHG Series can also be wired to have independent operation of both horn and strobes (see *Wiring Diagrams on page 2*). This can be simply done by removing two jumper plugs located on circuit board (see *installation manual for details*).

The HG/SHG Series devices are easily field-changeable — from a steady low-frequency alarm signal to a pulsing low-frequency alarm signal — by simply removing a jumper plug. Changing from a steady tone to a pulsing tone does not prevent reverting back to the original tone at a later date. All units are shipped from the factory in the steady alarm mode. The Z Series synchronized strobes require use of the ZMS4 module.

The HG/SHG Series devices are designed to be used for both new construction or retrofit projects. They easily mount to 4" (10.16 cm) electrical boxes or two-gang outlet work boxes (see *back for details*). All HG/SHG devices are UL 464/1971 listed for use with fire protective systems, and warranted for two years from the date of purchase.

STANDARD FEATURES

- Low-frequency penetrating output.
- Low current consumption: 17 mA @ nominal voltage (HG124).
- Wide voltage range.
- Screw terminals, separate in/out wiring option for both horn and strobe.
- Steady or pulsing tone.
- Textured finish high-impact plastic faceplate.
- Wide variety of mounting options for new construction and retrofit applications.
- Supplied with beauty plugs to accommodate a variety of installations.
- Strobe maintains constant flash rate (one per second) regardless of input voltage.
- Flush or semi-flush mounting without the need of a trim plate.
- 15/75 and 30/75 candela strobe option (SHG24-15/75 and SHG24-30/75). Meets ADA 4.28.3 requirements.
- All 110 cd models exceed requirements of ADA 4.28.3.
- UL 464/UL1971 listed for fire protective service/signal for hearing impaired.

ARCHITECTS' & ENGINEERS' SPECIFICATIONS

- The audible (HG) or audible/visual (SHG) signal shall be Gentex model HG or SHG or approved equivalent, and shall be listed by Underwriters Laboratories per UL 464, and when combined with the strobe option, the strobe shall also be



S3406
S5405

MEA

412-91-E



California
State Fire
Marshal
7135-569:115

BFP
City of Chicago

ADA



SHG Horn/Strobe



HG Horn

listed per UL 1971. The notification appliance shall also be listed with the California State Fire Marshal (CSFM) and the Bureau of Standards and Appeals (NYC).

- The notification appliance shall produce a peak sound output of 90 dBA or greater as measured in an anechoic chamber.
- Maximum current consumption at 24 VDC for the **audible only** shall not exceed 17 milliamps.
- The alarm signal shall be capable of changing from a steady tone to pulsing without permanent alteration to the unit.
- The visual signal shall have a flash rate of 1 Hz regardless of input voltage.
- The notification appliance shall be provided with screw terminals for in-and-out field wiring.
- The strobe shall be capable of operation independently after horn has been silenced.
- The notification appliance shall be capable of mounting to a 4" (10.16 cm) square backbox and a two-gang switchbox 2-1/8" (5.3975 cm) minimum in depth.

This document is not intended to be used for installation purposes. We try to keep our product information up-to-date and accurate. We cannot cover all specific applications or anticipate all requirements. All specifications are subject to change without notice. For more information, contact NOTIFIER. Phone: (203) 484-7161 FAX: (203) 484-7118



NOTIFIER

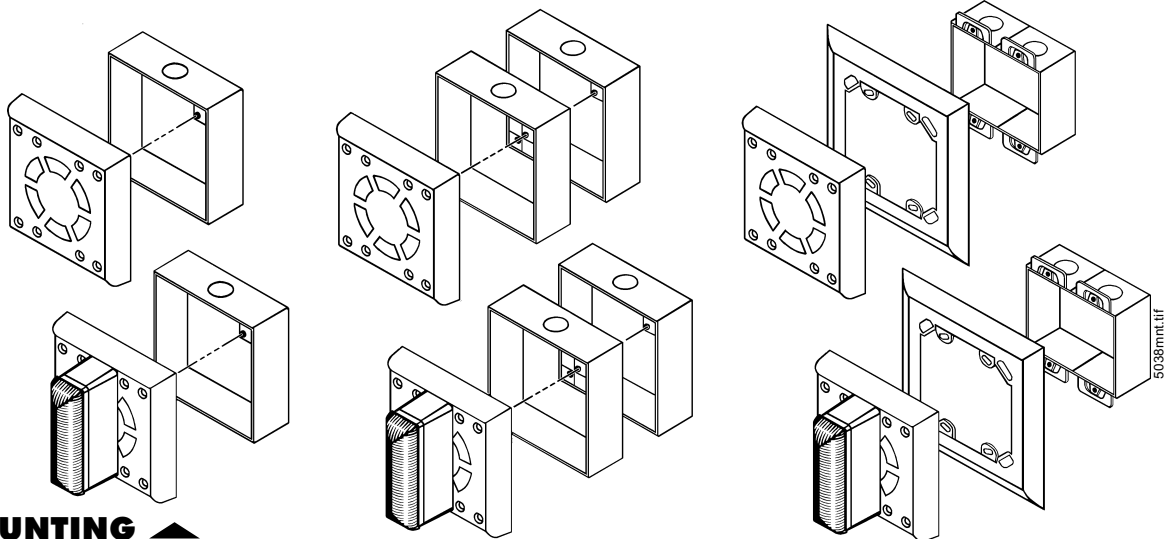
12 Clintonville Road, Northford, Connecticut 06472

ISO 9001
CERTIFIED
ENGINEERING & MANUFACTURING

AVAILABLE MODELS			STROBE RATED CURRENT			
	Model Number	Nominal Operating Voltage	Light Effective Intensity in Candela	Nominal Operating Current	Inrush*	Peak
HG124R (or W)	12 VDC	—	(horn 17 mA)	—	—	100
SHG24-15WR (or WW)	24 VDC	15	78 mA	114 mA	84 mA	95
SHG24-1575WR (or WW)	24 VDC	15 or 75	105 mA	130 mA	110 mA	95
SHG24-30WR	24 VDC	30	105 mA	130 mA	110 mA	95
SHG24-3075WR (or WW)	24 VDC	30 or 75	142 mA	120 mA	160 mA	95
SHG24-60WR	24 VDC	60	115 mA	140 mA	120 mA	95
SHG24-110WR (or WW)	24 VDC	110	220 mA	148 mA	240 mA	95
SHG24-1575CR (or CW)	24 VDC	15 or 75	115 mA	140 mA	120 mA	95
SHG24-1575WRZ (or WWZ)	24 VDC	15 or 75	130 mA	490 mA	680 mA	95

NOTES: *INRUSH CURRENT: for less than 0.2 micro seconds. ALL 12 VDC MODELS operate from 10-16 VDC; ALL 24 VDC MODELS operate from 21-30 VDC -20%/+10%. OPERATING TEMPERATURE: 32°F to 120°F (0°C to 49°C). CANDELA: light effective intensity in candela 15/75 or 30/75 per UL 1971 15 or 30) and UL 1638 (75).

WHEN PLACING AN ORDER: The following letters are used at the end of the model number: "W" (WALL mount), "C" (CEILING mount, 15/75 models only); either "R" at end (RED faceplate), or "W" at end (OFF-WHITE faceplate); "Z" (Z Series synchronized strobe, 15/75 models only) last on applicable models. **STROBES ARE WALL-MOUNT ONLY, EXCEPT WHERE NOTED WITH "C" IN THE MODEL NUMBER.**

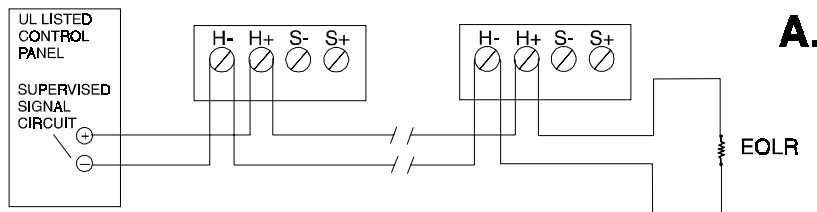


MOUNTING ▲

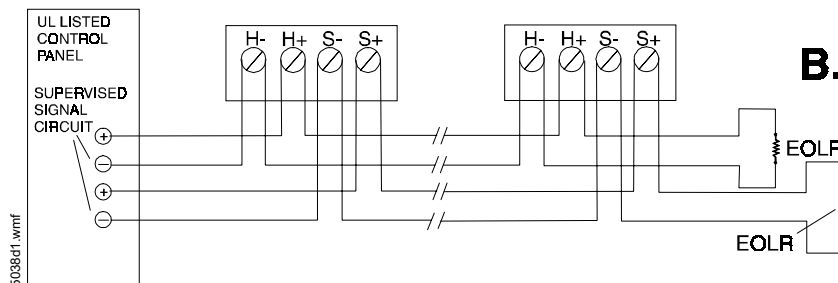
- 4" (10.16 cm) square boxes with brackets 2-1/8" (5.3975 cm) deep minimum.
- 4" (10.16 cm) square metallic/nonmetallic switch/outlet boxes 2-1/8" (5.3975 cm) deep minimum.
- Gangable two-gang switch/masonry outlet boxes 2-1/8" (5.3975 cm) deep minimum.

WIRING DIAGRAMS ►

A. HG Horn and SHG Series powered in parallel.



B. SHG Series with Horn and Strobe powered independently. **NOTE:** Remove circuit cover housing and remove jumpers 1 and 2. Replace cover and proceed to wire horn into circuit.



NOTE: Power is supplied to devices when control panel is latched.