



## GENTEX ACCESSORIES

### WGBB WEATHERPROOF BACK BOX AND SURFACE BOX 20-123-WGBB

#### Applications

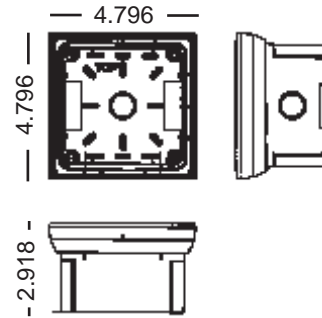
The WGBB Back Box is constructed of durable plastic and will accommodate the Gentex GMH/GMS, GXS, GX90S, HG/SHG signals including the WGMS Weatherproof Series. This Back Box can also be used as a surface box.

#### Standard Features

- 1/2" Conduit Knockouts
- Wall Tabs for Surface Mounting
- Reinforcement Metal Bracket for Conduit Connection
- Red Textured Plastic Finish



Back Box



Back Box Dimensions

### GSB SURFACE BACK BOX 20-123-GSB-(X)\*

#### Applications

The Gentex Surface Back Box is constructed of durable plastic and is fully compatible with the Commander<sup>1</sup> (ST/HS) and Commander<sup>2</sup> (GE) Series.

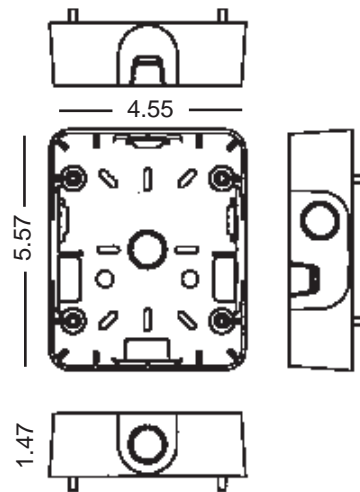
#### Standard Features

- 1/2" Conduit Knockouts with metal Washer Reinforcement
- Wiremold Knockouts for 500 and 700 Series
- Red or Off-White Textured Plastic Finish
- Clean Look, all Screw Heads Hidden
- Easy to install

(X)\* R-Red  
W- Off-White



Surface Back Box



Surface Box Dimensions

#### APPROVALS

- UL Listed - S 3406
- CSFM - 7300-0569:124
- NY MEA - 285-91-E

Form No. P.1.37.01-1

Data Sheet

*(This page is left blank intentionally)*



Copyright © Fike Corporation All Rights Reserved.  
Form No. P.1.37.01-1 August, 2005 Specifications are subject to change without notice.

---