

# RL-7747

## CURRENT SENSE TRANSFORMER



### DESCRIPTION

- Current Sense Transformer

### ENVIRONMENTAL DATA

- Storage temperature range: -55°C to +130°C (155°C †)
- Operating temperature range: -55°C to +130°C (155°C †)

### PACKAGING INFORMATION

- Packaging information: pg. 510

†Class F Only

### FEATURES

- UL Recognized: Instrument Transformer (XODW2.E146186) per IEEE C57.13.2 and CSA C60044-1:07 with 300V and 600V spacings per UL5085-1 and CSA C22.2 No. 66.1-06.
- UL Class B and F insulation systems (OBJY2.E73291)
- Dielectric withstand of 2500Vac for 300V rating and 4000Vac for 600V rating

### USAGE

- Operating frequency from 47Hz to 400Hz
- Input current up to 40A
- Recommended design for 100mV per ampere
- Design Burden Resistor for 4.0Vrms max output

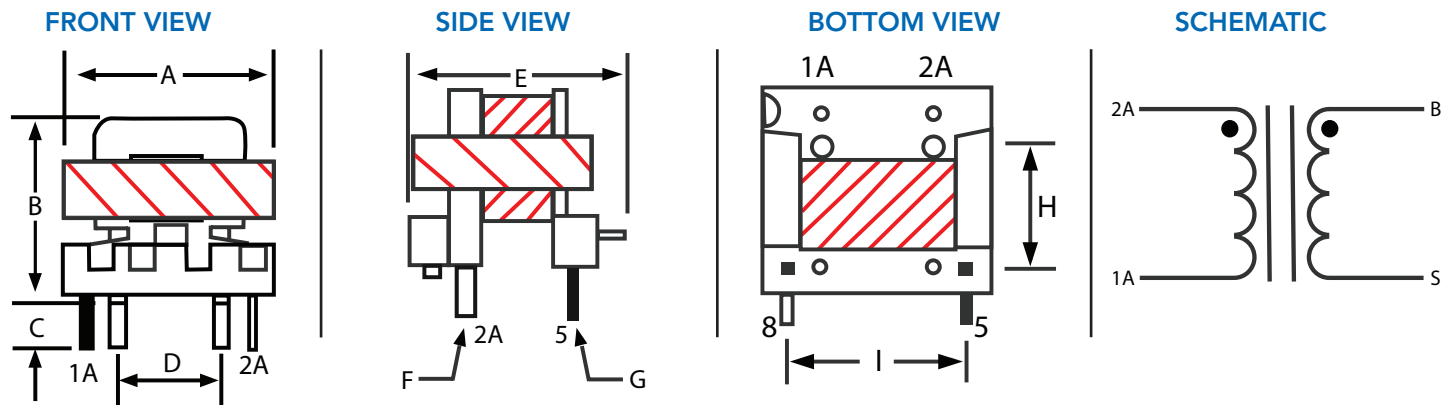
Verify operation with sample in actual circuit. Order samples at [www.rencousa.com](http://www.rencousa.com).

### MECHANICAL DIMENSIONS

U.S. Standard (mm)

PART NUMBER	A (MAX.)	B (MAX.)	C ±0.015 (0.38)	D ±0.015 (0.38)	E (MAX.)
RL-7747	0.86 (21.84)	0.71 (18.03)	0.157 (3.98)	0.37 (9.40)	0.85 (21.59)

PART NUMBER	PART WEIGHT	F ±0.005 (0.127)	G (TYP.)	H ±0.015 (0.381)	I ±0.005 (0.127)
RL-7747	13.0g (0.45oz)	0.08 (2.03)	0.025 Ω (0.64)	0.400 (10.16)	0.600 (15.24)



TRANSFORMERS



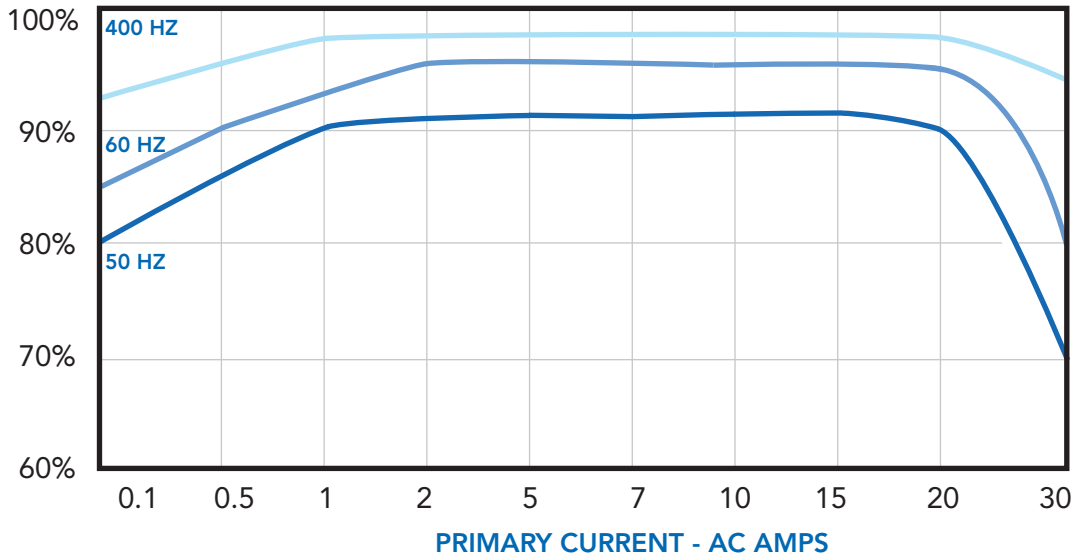
**RENCO ELECTRONICS INC.**

595 International Place, Rockledge, FL 32955-4200 USA • [www.rencousa.com](http://www.rencousa.com) • ISO 9001 Certified  
Toll Free Engineering Hot Line: 800.645.5828 • P: 321.637.1000 • F: 321.637.1600



# RL-7747

## TYPICAL RESPONSIVE CURVE FOR RL-7747-500 WITH 60 Ohm BURDEN



	Renco Part No. RL-7747	Turns Ratio	Primary DCR	Secondary DCR	Insulation Class	Primary to Secondary UL Spacing	Primary to Core UL Spacing	Secondary to Core UL Spacing
300V	RL-7747-500	500	0.30 mΩ	21 Ω	B (130°C)	300V	300V	300V
	RL-7747-1000	1000	0.30 mΩ	86 Ω	B (130°C)	300V	300V	300V
600V	RL-7747-500-600	500	0.30 mΩ	21 Ω	B (130°C)	600V	600V	600V
	RL-7747-1000-600	1000	0.30 mΩ	86 Ω	B (130°C)	600V	600V	600V
Class F	RL-7747-500-F	500	0.30 mΩ	21 Ω	F (130°C)	300V	300V	300V
	RL-7747-1000-F	1000	0.30 mΩ	86 Ω	F (130°C)	300V	300V	300V



**RENCO ELECTRONICS INC.**

595 International Place, Rockledge, FL 32955-4200 USA • [www.rencousa.com](http://www.rencousa.com) • ISO 9001 Certified  
Toll Free Engineering Hot Line: 800.645.5828 • P: 321.637.1000 • F: 321.637.1600

