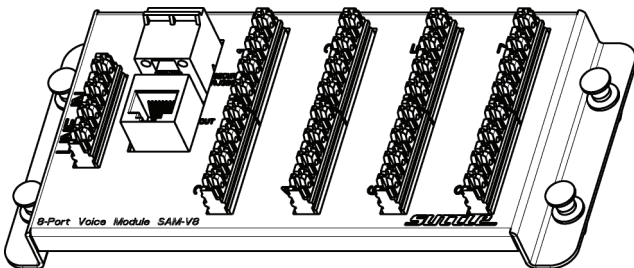


SUTTLE

SAM-V8 8-Port Voice module

User Guide



1001 East Hwy 212
Hector, MN 55342
www.suttlesoho.com

Toll Free: 1-800-852-8662
Local: 1-320-848-6711
Fax: 320-848-2361

Package Contents

- 8 Port Voice Module
- Designation label
- User's Guide

Mounting:

Align the mounting pins with the grid holes on the back of the enclosure. With the mounting pin plungers in the “out” position, press the unit into the grid in the desired location, secure by pushing the plungers in.

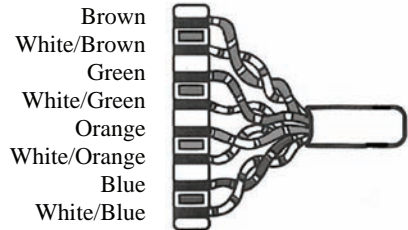
Terminate incoming service lines:

Run twisted pair cable to the 110 IDC connector labeled “**LINE IN**” on the 8-Port Voice Module from the telephone company demarcation point.

110 IDC Termination Procedure

Strip 3 in. of outer jacket from the cable. Place wires into proper slots according to selected configuration. Starting at the blue-position of the IDC, begin with the white wire of each pair as you progress to the brown-position on the IDC as shown below. Press wires into slots with punch tool. Trim excess wire with diagonal cutter.

NOTE: one pair of wires corresponds to each line from the phone company. (Line 1=blue, Line 2=orange, Line 3=green, Line 4=brown).



Terminate premise wiring:

Run twisted pair cable from the numbered 110 IDC's to the telephone jacks throughout the premise. Follow 110 IDC Termination Procedure above. Record wiring information on the designation label attached to the enclosure cover.

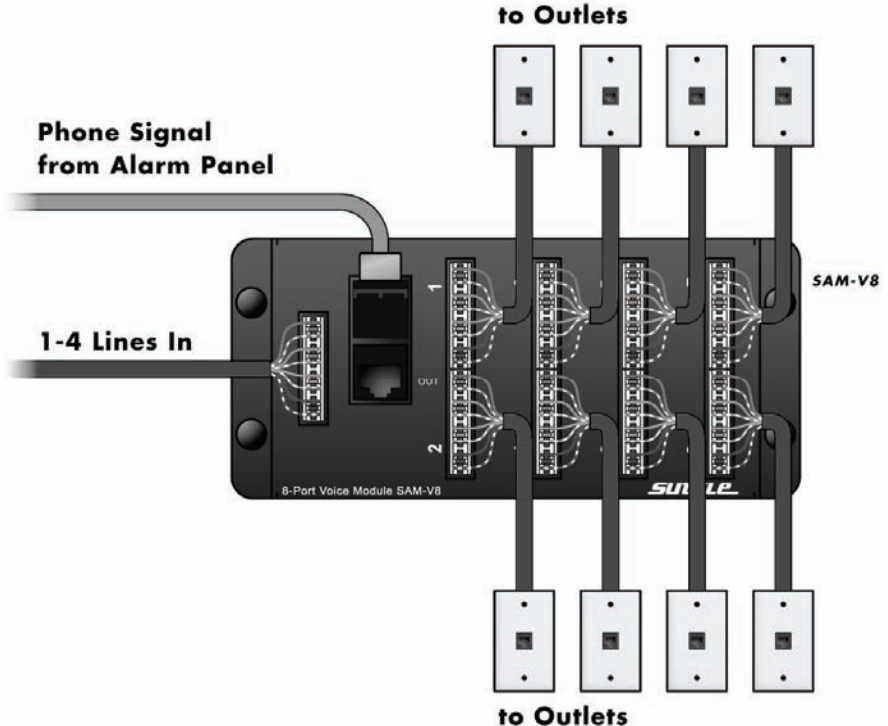
Testing:

Verify incoming dial tone by connecting the tester to the “OUT” jack, prior to terminating the premise wiring. Repeat test after all premise wiring is complete to ensure all terminations are correct.

*Note: Use a qualification tester for testing this bridged voice distribution module. Tester must be equipped with an **RJ45** (8 position, 8 conductor) test plug.*

Alarm Interface connection:

The 8-Port Voice Module features a security interface port which may be connected to a security system; in an emergency situation, the security system can over-ride telephone service on LINE 1 when the alarm is activated. Connect 8 conductor cord from alarm dialer to the “Security RJ31” port on the Dual Provider Voice module.



Important Information:

- Read and understand all instructions. Follow all warnings and instructions marked on the product.
- Do not use this product near water,--e.g., near a bath tub, wash basin, kitchen sink, wet basement, or near a swimming pool.
- Never push objects of any kind into this product through openings, as they may contact dangerous voltages.
- SAVE THESE INSTRUCTIONS.

Safety Information:

- Never install communications wiring or components during a lightning storm.
- Never touch uninsulated wires or terminals unless the wiring has been disconnected at the network interface.
- Never install communications components in wet locations unless the components are designed specifically for use in wet locations.

100641-00 Rev.E